



HOSES, FITTINGS & ACCESSORIES FOR CENTRALIZED LUBRICATION SYSTEMS

HIGH PRESSURE HOSE, HOSE ENDS, & CONNECTORS



MEDIUM PRESSURE HOSE, FITTINGS, & CONNECTORS



STEEL TUBE FITTINGS, & CONNECTORS



LUBE POINT EXTENSIONS



45° & 90° ELBOW ADAPTERS, METRIC, & NPT



SWIVELS & BANJO FITTINGS - METRIC/NPT



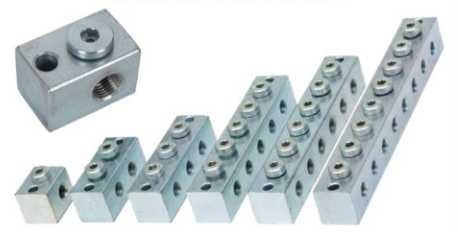
FILL FITTINGS, METRIC & NPT



CHECK (NON-RETURN VALVES) METRIC & NPT



ZERK (MANUAL LUBE) BARS



GREASE (ZERK) FITTINGS, FILL FITTINGS & PLUGS



ANCHOR BLOCKS & HOSE DROPS, NPTF



ANCHOR BLOCKS & HOSE DROPS, NPTF



THE PRODUCTS CONTAINED HEREIN ARE MANUFACTURED BY FRITSCH GMBH AND LUBRICATION SCIENTIFICS, LLC

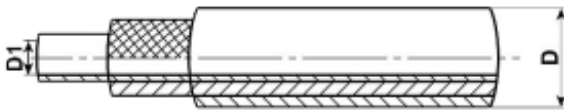
INDEX

SECTION	PAGE
HIGH PRESSURE HOSE, HOSE ENDS, & CONNECTORS	3-6
MEDIUM PRESSURE HOSE, FITTINGS, & CONNECTORS	7-10
STEEL TUBE FITTINGS, & CONNECTORS	11-14
LUBE POINT EXTENSIONS	15
45° & 90° ELBOW ADAPTERS, METRIC, & NPT	16-17
SWIVELS & BANJO FITTINGS, METRIC & NPT	18-19
FILL FITTINGS, METRIC & NPTF	20
CHECK (NON-RETURN VALVES, METRIC & NPTF)	21-23
ZERK (MANUAL LUBE) BARS	24
GREASE (ZERK) FITTINGS, FILL FITINGS & CLOSURE PLUGS	25
ANCHOR BLOCKS & HOSE DROPS, NPTF	26

HIGH PRESSURE HOSE, HOSE ENDS, & CONNECTORS

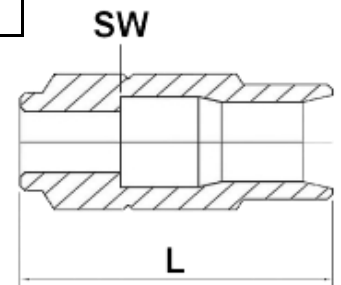
HIGH PRESSURE HOSE

HIGH PRESSURE HOSE DESCRIPTION	PSI/BAR	D	D1	PART NUMBER
HIGH PRESSURE HOSE FILLED WITH NLGI 2 GREASE , 50 M COIL	12,183/840	8.6MM	4.0MM	LFR100-001
HIGH PRESSURE HOSE, EMPTY , 50 M COIL	12,183/840	8.6MM	4.0MM	LFR100-002
HIGH-PRESSURE HOSE FILLED WITH	12,183/840	11.3MM	6.3MM	LFR100-011
HIGH-PRESSURE HOSE, EMPTY, 100 M COIL	12,183/840	11.3MM	6.3MM	LFR100-012
HIGH-PRESSURE HOSE, EMPTY, 50 M	12,183 / 840	5/16IN	1/8IN	LFR4010-100



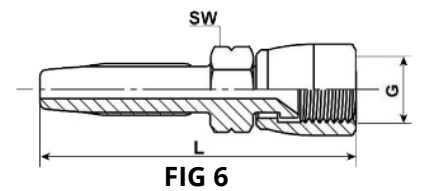
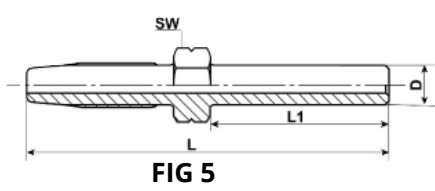
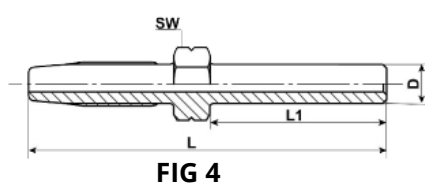
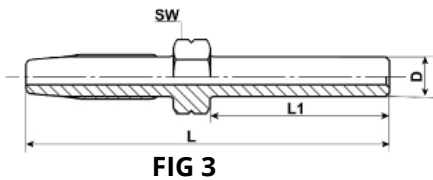
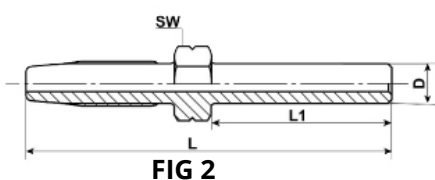
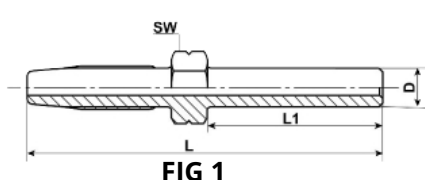
HIGH PRESSURE SCREW SLEEVES

SCREW SLEEVE DESCRIPTION	FIG.	HOSE ID X OD	L	SW	PART NUMBER
STEEL THREADED HOSE SLEEVE	1	4.1 x 8.75	28MM	12MM	LFR100-050
STEEL THREADED HOSE SLEEVE	1	1/8 X 5/16	26MM	12MM	LFR100-050-1
THREADED HOSE SLEEVE, BLACK ZINC	1	4.1 x 8.75	28MM	12MM	LFR100-050-SW
SS THREADED HOSE SLEEVE	1	4.1 x 8.75	28MM	12MM	LFR100-050-VA
STEEL THREADED HOSE SLEEVE	1	6.35 X 11.3	35.8MM	17MM	LFR100-060
SS THREADED HOSE SLEEVE	1	6.35 X 11.3	35.8MM	17MM	LFR100-060-VA
SS THREADED HOSE SLEEVE	1	1/8 X 5/16	26MM	1/2IN	LFR3010-001



HIGH PRESSURE STRAIGHT HOSE STUDS

STRAIGHT HOSE STUD DESCRIPTION	FIG.	HOSE ID X OD	G	D	L	SW	SW 1	PART NUMBER
STEEL HOSE STUD STRAIGHT	1	4.1 x 8.75	N/A	6MM	30MM	10MM	N/A	LFR100-051
STEEL HOSE STUD STRAIGHT	4	1/8 X 5/16	1/8 NPT	N/A	N/A	7/16IN	1/2IN	LFR100-051-1
STEEL HOSE STUD STRAIGHT	1	4.1 x 8.75	N/A	8MM	30MM	10MM	N/A	LFR100-051-8
STEEL HOSE STUD STRAIGHT, PUSH LOCK	2	4.1 x 8.75	N/A	6MM	30MM	10MM	N/A	LFR100-051-NUT
SS HOSE STUD STRAIGHT	1	4.1 x 8.75	N/A	6MM	30MM	10MM	N/A	LFR100-051-VA
STEEL HOSE STUD STRAIGHT	1	4.1 x 8.75	N/A	6MM	20MM	10MM	N/A	LFR100-054
STEEL HOSE STUD STRAIGHT, PUSH LOCK	2	4.1 x 8.75	N/A	6MM	20MM	10MM	N/A	LFR100-054-NUT
STEEL HOSE STUD STRAIGHT, PUSH LOCK, BLACK	2	4.1 x 8.75	N/A	6MM	21.5MM	10MM	N/A	LFR100-054-NUT-SW
STEEL HOSE STUD STRAIGHT	1	4.1 x 8.75	N/A	6MM	24MM	10MM	N/A	LFR100-055
STEEL HOSE STUD STRAIGHT, HOSE UNION	3	4.1 x 8.75	N/A	N/A	25MM	10MM	N/A	LFR100-061
STEEL HOSE STUD STRAIGHT	1	6.35 X 11.3	N/A	6MM	22MM	12MM	N/A	LFR100-064
STEEL HOSE STUD STRAIGHT, PUSH LOCK	2	6.35 X 11.3	N/A	6MM	22MM	12MM	N/A	LFR100-064-NUT
SS HOSE STUD STRAIGHT	1	6.35 X 11.3	N/A	6MM	22MM	12MM	N/A	LFR100-064-VA
STEEL HOSE STUD STRAIGHT	1	6.35 X 11.3	N/A	8MM	22MM	12MM	N/A	LFR100-074
SS HOSE STUD STRAIGHT	1	6.35 X 11.3	N/A	8MM	22MM	12MM	N/A	LFR100-074-VA
STEEL HOSE STUD STRAIGHT	1	6.35 X 11.3	N/A	10MM	30MM	12MM	N/A	LFR100-081
STEEL HOSE STUD STRAIGHT	1	4.1 x 8.75	N/A	6MM	65.5MM	10MM	N/A	LFR100-091
STEEL HOSE STUD STRAIGHT (NON SWIVEL)	5	4.1 x 8.75	M10 x 1	6LL	N/A	11MM	N/A	LFR3510-101
STEEL HOSE STUD STRAIGHT	1	4.1 x 8.75	N/A	1/4IN	30MM	11MM	N/A	LFR3510-110
STEEL HOSE STUD STRAIGHT, PUSH LOCK	2	4.1 x 8.75	N/A	1/4IN	30MM	11MM	N/A	LFR3510-111
STEEL HOSE STUD STRAIGHT, PUSH LOCK	2	1/8 X 5/16	N/A	1/4IN	1.18IN	7/16IN	N/A	LFR3510-112
STEEL HOSE STUD STRAIGHT	1	4.1 x 8.75	N/A	3/16IN	20MM	10MM	N/A	LFR3510-113
HOSE STUD, STRAIGHT. STEEL, #4 JIC SWIVEL	6	4.1 x 8.75	#4 JIC	N/A	N/A	14MM	14MM	LFR3510-114



HIGH PRESSURE 90° HOSE STUDS

90° HOSE STUD DESCRIPTION	FIG.	HOSE ID X OD	D	H	L	SW	SW1	PART NUMBER
STEEL HOSE STUD 90°	1	4.1 x 8.75	6MM	13MM	21MM	10MM	N/A	LFR100-052
STEEL HOSE STUD 90°	1	4.1 x 8.75	6MM	28MM	37MM	10MM	N/A	LFR100-053
STEEL HOSE STUD 90°, PUSH LOCK	2	4.1 x 8.75	6MM	25MM	37MM	10MM	N/A	LFR100-053-NUT
STEEL HOSE STUD 90°, PUSH LOCK, BLACK	2	4.1 x 8.75	6MM	28MM	37MM	10MM	N/A	LFR100-053-NUT-SW
SS HOSE STUD 90°	1	4.1 x 8.75	6MM	28MM	37MM	10MM	N/A	LFR100-053-VA
STEEL HOSE STUD 90°	1	4.1 x 8.75	6MM	28MM	53MM	10MM	N/A	LFR100-056
STEEL HOSE STUD 90°, PUSH LOCK	2	4.1 x 8.75	6MM	28MM	53MM	10MM	N/A	LFR100-056-NUT
STEEL HOSE STUD 90°	1	4.1 x 8.75	6MM	14MM	33MM	10MM	N/A	LFR100-059
STEEL HOSE STUD 90°	1	4.1 x 8.75	4MM	14MM	30MM	10MM	N/A	LFR100-059-4
STEEL HOSE STUD 90°	1	4.1 x 8.75	6MM	17MM	28MM	10MM	N/A	LFR100-062
STEEL HOSE STUD 90°	1	6.35 X 11.3	6MM	22MM	45MM	12MM	N/A	LFR100-063
STEEL HOSE STUD 90°	1	6.35 X 11.3	8MM	23MM	36MM	12MM	N/A	LFR100-073
SS HOSE STUD 90°	1	6.35 X 11.3	8MM	23MM	36MM	12MM	N/A	LFR100-073-VA
STEEL HOSE STUD 90°	1	6.35 X 11.3	8MM	23MM	55MM	12MM	N/A	LFR100-076
STEEL HOSE STUD 90°	1	6.35 X 11.3	10MM	23MM	36MM	12MM	N/A	LFR100-083
STEEL HOSE STUD 90°	1	4.1 x 8.75	3/16IN	14MM	32MM	10MM	N/A	LFR3511-113
STEEL HOSE STUD 90°	1	4.1 x 8.75	1/4IN	28MM	37MM	11MM	N/A	LFR3511-110
STEEL HOSE STUD 90°, PUSH LOCK	2	4.1 x 8.75	1/4IN	28MM	37MM	11MM	N/A	LFR3511-111
STEEL HOSE STUD 90°, #JIC SWIVEL	3	4.1 x 8.75	N/A	20.7MM	25.7MM	14MM	14MM	LFR3511-114
SS HOSE STUD 90°	1	6.35 X 11.3	6MM	22MM	45MM	12MM	N/A	LFR3511-210
SS HOSE STUD 90°	1	6.35 X 11.3	10MM	23MM	36MM	12MM	N/A	LFR3511-212

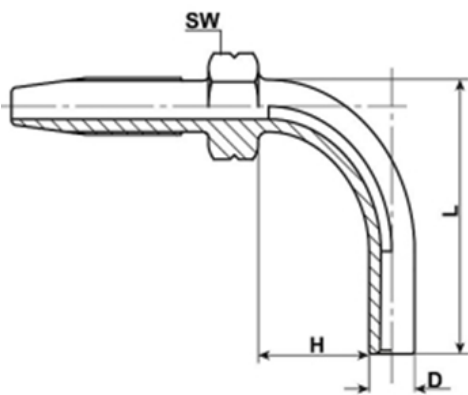


FIG 1

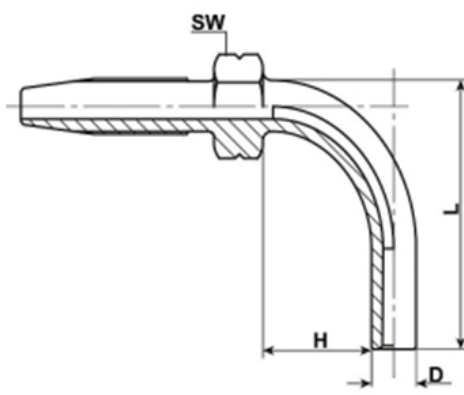


FIG 2

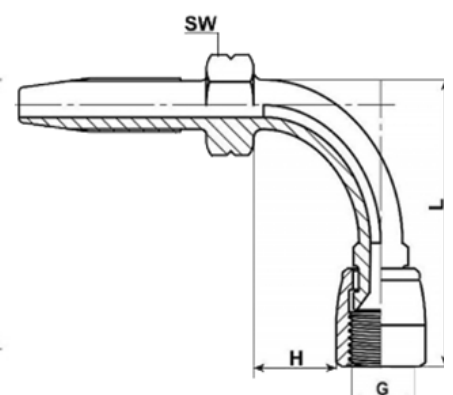
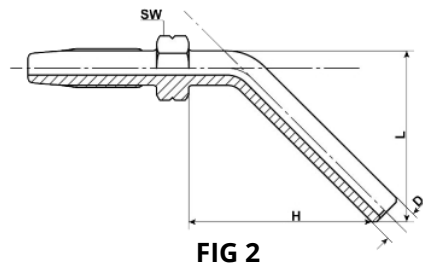
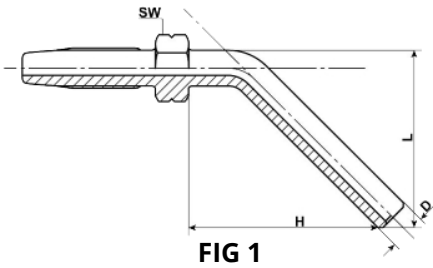


FIG 3

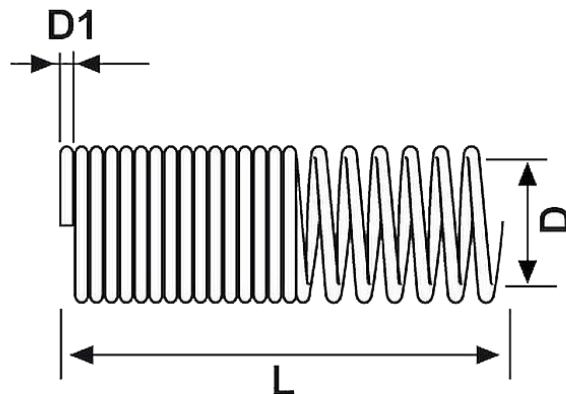
HIGH PRESSURE 45° HOSE STUDS

45° HOSE STUD DESCRIPTION	FIG.	HOSE ID X OD	D	H	L	SW	PART NUMBER
STEEL HOSE STUD 45°	1	4.1 x 8.75	6MM	24MM	15MM	10MM	LFR100-057
STEEL HOSE STUD 45°, PUSH LOCK	2	4.1 x 8.75	6MM	24MM	15MM	10MM	LFR100-057-NUT
STEEL HOSE STUD 45°	1	4.1 x 8.75	6MM	35MM	25MM	10MM	LFR100-058
STEEL HOSE STUD 45°, PUSH LOCK	2	4.1 x 8.75	6MM	35MM	25MM	10MM	LFR100-058-NUT
STEEL HOSE STUD 45°, PUSH LOCK, BLACK	2	4.1 x 8.75	6MM	35MM	25MM	10MM	LFR100-058-NUT-SW
SS HOSE STUD 45°	2	4.1 x 8.75	6MM	35MM	25MM	10MM	LFR100-058-VA
STEEL HOSE STUD 45°	1	6.35 X 11.3	6MM	35MM	25MM	12MM	LFR100-068
STEEL HOSE STUD 45°	1	6.35 X 11.3	8MM	35MM	25MM	12MM	LFR100-078
STEEL HOSE STUD 45°	1	4.1 x 8.75	1/4IN	35MM	25MM	11MM	LFR3512-110
STEEL HOSE STUD 45°, PUSH LOCK	2	4.1 x 8.75	1/4IN	35MM	25MM	11MM	LFR3512-111



STAINLESS STEEL SPRING COILS FOR SHIELDING HIGH PRESSURE HOSE

SPRING COIL DESCRIPTION	L	D	D1	PART NUMBER
SS SPRING COIL (SHORT)	200MM	10.6MM	1.2MM	LFR100-045-VA
SS SPRING COIL (LONG)	2000MM	10.6MM	1.2MM	LFR100-046-VA
SS SPRING COIL (LONG)	5000MM	10.6MM	1.2MM	LFR100-047-VA



MEDIUM PRESSURE HOSE, FITTINGS, & CONNECTORS

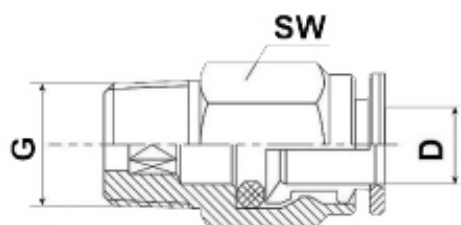
MEDIUM PRESSURE PLASTIC HOSE

PLASTIC TUBE DESCRIPTION	PSI/BAR	D	D1	S	PART NUMBER
PLASTIC TUBE SEMI-RIGID, 4X.85, 50M COIL (BLACK)	1,044/72	4MM	2.3MM	.85MM	LFR100-010
PLASTIC TUBE SEMI-RIGID, 6X1.5, 100M COIL (BLACK)	1,044/72	6MM	3.0MM	1.5MM	LFR100-003
PLASTIC TUBE SEMI-RIGID, 4X.85 50M COIL (BLACK)	570/39	4MM	2.3MM	.85MM	LFR100-006
PLASTIC TUBE SEMI-RIGID, 4X.85 50M COIL (CLEAR)	522/36	4MM	2.3MM	.85MM	LFR100-006-T
PLASTIC TUBE SEMI-RIGID, 6X1.5, 25M COIL (BLACK)	1,291/89	6MM	3.0MM	1.5MM	LFR100-003-25
HIGH-PRESSURE HOSE FILLED WITH NLGI 2 GREASE , 25 M COIL	1,291/89	6MM	3.0MM	1.5MM	LFR100-009-25



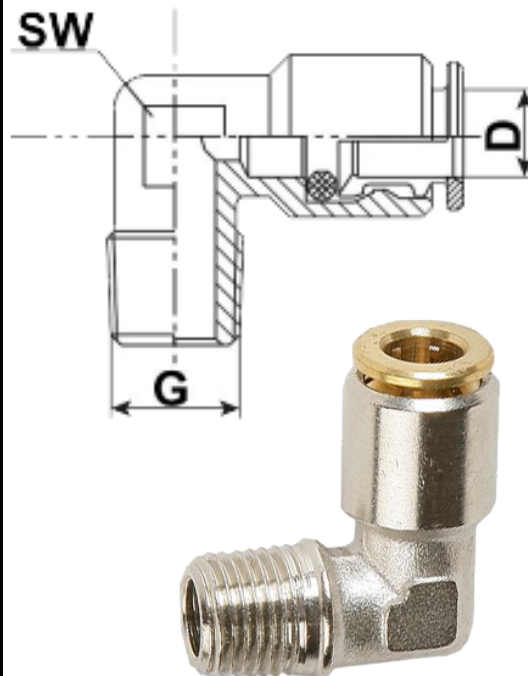
PUSH-IN STRAIGHT THREADED CONNECTORS FOR MEDIUM PRESSURE HOSE

PUSH-IN STRAIGHT CONNECTOR DESCRIPTION	G	D	SW	PART NUMBER
BRASS PLATED PUSH-IN - STRAIGHT CONNECTORS	6X1	4MM	10MM	LFR104-051
BRASS PLATED PUSH-IN - STRAIGHT CONNECTORS	8X1	4MM	10MM	LFR104-052
BRASS PLATED PUSH-IN - STRAIGHT CONNECTORS	10X1	4MM	11MM	LFR104-053
BRASS PLATED PUSH-IN - STRAIGHT CONNECTORS	1/8 BSP	4MM	10MM	LFR104-054
BRASS PLATED PUSH-IN - STRAIGHT CONNECTORS	1/8 NPT	4MM	11MM	LFR104-054-NPT
BRASS PLATED PUSH-IN - STRAIGHT CONNECTORS	1/4-28 UNF	4MM	11MM	LFR104-055-UNF
BRASS PLATED PUSH-IN - STRAIGHT CONNECTORS	6X1	4MM	12MM	LFR106-051
BRASS PLATED PUSH-IN - STRAIGHT CONNECTORS	8X1	6MM	12MM	LFR106-052
BRASS PLATED PUSH-IN - STRAIGHT CONNECTORS	10X1	6MM	12MM	LFR106-053
BRASS PLATED PUSH-IN - STRAIGHT CONNECTORS	1/8 BSP	6MM	12MM	LFR106-054
BRASS PLATED PUSH-IN - STRAIGHT CONNECTORS	1/8 NPT	6MM	12MM	LFR106-054-NPT
BRASS PLATED PUSH-IN - STRAIGHT CONNECTORS	1/4-28 UNF	6MM	12MM	LFR106-055-UNF
BRASS PLATED PUSH-IN - STRAIGHT CONNECTORS	1/4-28 UNF	1/4IN	12MM	LFR2010-101
BRASS PLATED PUSH-IN - STRAIGHT CONNECTORS	1/8 NPT	1/4IN	12MM	LFR2010-102



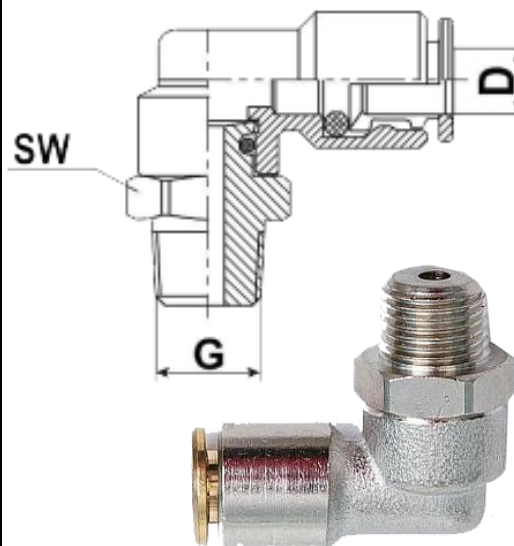
PUSH-IN THREADED ELBOW CONNECTORS FOR MEDIUM PRESSURE HOSE

PUSH-IN ELBOW CONNECTOR DESCRIPTION	G	D	SW	PART NUMBER
BRASS PLATED PUSH-IN ELBOW-CONNECTORS	6X1	4MM	10MM	LFR104-151
BRASS PLATED PUSH-IN ELBOW-CONNECTORS	8X1	4MM	10MM	LFR104-152
BRASS PLATED PUSH-IN ELBOW-CONNECTORS	10X1	4MM	10MM	LFR104-153
BRASS PLATED PUSH-IN ELBOW-CONNECTORS	1/8 BSP	4MM	10MM	LFR104-154
BRASS PLATED PUSH-IN ELBOW-CONNECTORS	1/8 NPT	4MM	10MM	LFR104-154-NPT
BRASS PLATED PUSH-IN ELBOW-CONNECTORS	1/4-28 UNF	4MM	10MM	LFR104-155-UNF
BRASS PLATED PUSH-IN ELBOW-CONNECTORS	6X1	6MM	10MM	LFR106-151
BRASS PLATED PUSH-IN ELBOW-CONNECTORS	8X1	6MM	10MM	LFR106-152
BRASS PLATED PUSH-IN ELBOW-CONNECTORS	10X1	6MM	10MM	LFR106-153
BRASS PLATED PUSH-IN ELBOW-CONNECTORS	1/8 BSP	6MM	10MM	LFR106-154
BRASS PLATED PUSH-IN ELBOW-CONNECTORS	1/8 NPT	6MM	10MM	LFR106-154-NPT
BRASS PLATED PUSH-IN ELBOW-CONNECTORS	1/4-28 UNF	6MM	10MM	LFR106-155-UNF
BRASS PLATED PUSH-IN ELBOW-CONNECTORS	1/4-28 UNF	1/4IN	10MM	LFR2011-101
BRASS PLATED PUSH-IN ELBOW-CONNECTORS	1/8 NPT	1/4IN	10MM	LFR2011-102



PUSH-IN-90° THREADED SWIVELS FOR MEDIUM PRESSURE HOSE

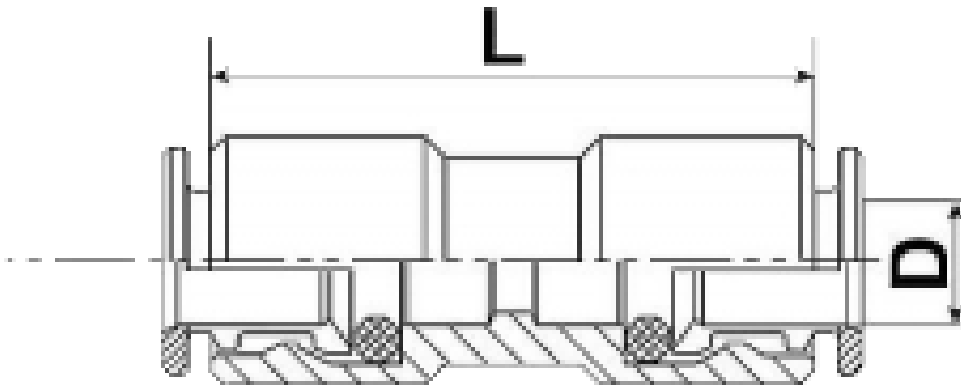
PUSH-IN-90° SWIVEL DESCRIPTION	G	D	SW	PART NUMBER
BRASS PLATED PUSH-IN-90° SWIVELS	6X1	4MM	13MM	LFR104-111
BRASS PLATED PUSH-IN-90° SWIVELS	8X1	4MM	13MM	LFR104-112
BRASS PLATED PUSH-IN-90° SWIVELS	10X1	4MM	13MM	LFR104-113
BRASS PLATED PUSH-IN-90° SWIVELS	1/8 BSP	4MM	13MM	LFR104-114
BRASS PLATED PUSH-IN-90° SWIVELS	1/8 NPT	4MM	13MM	LFR104-114-NPT
BRASS PLATED PUSH-IN-90° SWIVELS, FREELY MOVABLE	1/4-28 UNF	4MM	13MM	LFR104-115-UNF
BRASS PLATED PUSH-IN-90° SWIVELS, FREELY MOVABLE	6X1	6MM	13MM	LFR106-111
BRASS PLATED PUSH-IN-90° SWIVELS, FREELY MOVABLE	8X1	6MM	13MM	LFR106-112
BRASS PLATED PUSH-IN-90° SWIVELS, FREELY MOVABLE	10X1	6MM	13MM	LFR106-113
BRASS PLATED PUSH-IN-90° SWIVELS, FREELY MOVABLE	1/8 BSP	6MM	13MM	LFR106-114
BRASS PLATED PUSH-IN-90° SWIVELS, FREELY MOVABLE	1/8 NPT	6MM	13MM	LFR106-114-NPT
BRASS PLATED PUSH-IN-90° SWIVELS, FREELY MOVABLE	1/4-28 UNF	6MM	13MM	LFR106-115-UNF
BRASS PLATED PUSH-IN-90° SWIVELS, FREELY MOVABLE	1/8 NPT	1/4IN	13MM	LFR2012-102
BRASS PLATED PUSH-IN-90° SWIVELS, FREELY MOVABLE	1/4-28 UNF	1/4IN	13MM	LFR2012-101



*OPERATING PRESSURE OF ALL PUSH-IN FITTING IS 1160 PSI / 80 BAR

PUSH-IN TUBING CONNECTORS FOR MEDIUM PRESSURE HOSE

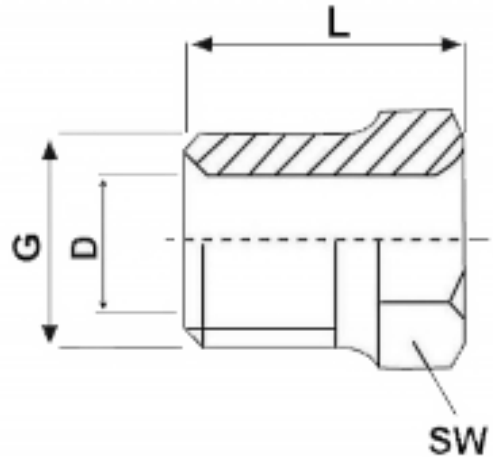
PUSH-IN CONNECTOR DESCRIPTION	D	L	PART NUMBER
BRASS PLATED PUSH-IN CONNECTORS	4MM	26MM	LFR104-110
BRASS PLATED PUSH-IN CONNECTORS	6MM	29.5MM	LFR106-110
BRASS PLATED PUSH-IN CONNECTORS	1/4IN	30MM	LFR2013-100



*OPERATING PRESSURE OF ALL PUSH-IN FITTING IS 1160 PSI / 80 BAR

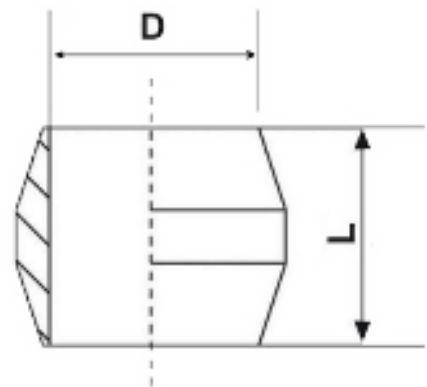
SOCKET UNION FOR DOUBLE CONE FERRULES (DRIVES) FOR PLASTIC TUBE

SOCKET UNION FOR DOUBLE CONE DRIVE DESCRIPTION	G	D	L	SW	PART NUMBER
STEEL SOCKET UNION FOR DOUBLE CONE DRIVE	8X1	4MM	12MM	8MM	LFR104-205
STEEL SOCKET UNION FOR DOUBLE CONE DRIVE	10X1	6MM	14MM	10MM	LFR106-205
SS M10 X 1.0 PLUG	N/A	4MM	7MM	N/A	1202-400
SS TUBE NUT	N/A	6MM	7MM	N/A	FL316-401-6
M10 X 1.0 CONNECTOR	N/A	6MM	7MM	N/A	1202-401-6
SS M10 X 1.0 CONNECTOR	N/A	4MM	7MM	N/A	1202-401-4MK
SS M10 X 1.0 CONNECTOR	N/A	6MM	7MM	N/A	1202-401-6MK



DOUBLE CONE FERRULES (DRIVES) FOR PLASTIC TUBE

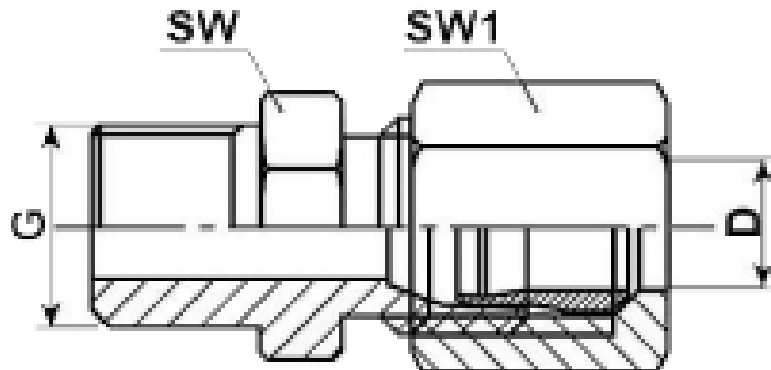
DOUBLE CONE DRIVE DESCRIPTION	D	L	PART NUMBER
BRASS DOUBLE CONE DRIVE	4MM	5.5MM	LFR104-215
BRASS DOUBLE CONE DRIVE	6MM	7MM	LFR106-215



STEEL TUBE FITTINGS & CONNECTORS

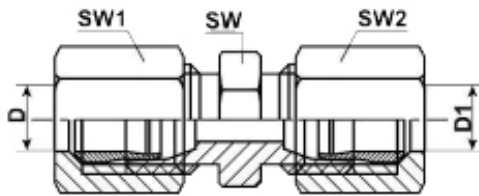
STRAIGHT SCREW COUPLINGS FOR STEEL TUBE

STRAIGHT SCREW COUPLING DESCRIPTION	G	D	SW	SW1	PART NUMBER
STEEL STRAIGHT SCREW COUPLING	6X1	4MM	9MM	10MM	LFR104-001
STEEL STRAIGHT SCREW COUPLING	8X1	4MM	9MM	10MM	LFR104-002
STEEL STRAIGHT SCREW COUPLING	10X1	4MM	11MM	10MM	LFR104-003
STEEL STRAIGHT SCREW COUPLING	6X1	6MM	11MM	12MM	LFR106-001
SS STRAIGHT SCREW COUPLING	6X1	6MM	11MM	12MM	LFR106-001-VA
STEEL STRAIGHT SCREW COUPLING	8X1	6MM	11MM	12MM	LFR106-002
SS STRAIGHT SCREW COUPLING	8X1	6MM	11MM	12MM	LFR106-002-VA
STEEL STRAIGHT SCREW COUPLING	10X1	6MM	11MM	12MM	LFR106-003
SS STRAIGHT SCREW COUPLING	10X1	6MM	11MM	12MM	LFR106-003-VA
STEEL STRAIGHT SCREW COUPLING	1/8 BSP	6MM	11MM	12MM	LFR106-004
SS STRAIGHT SCREW COUPLING	1/8 BSP	6MM	11MM	12MM	LFR106-004-VA
STEEL STRAIGHT SCREW COUPLING	1/8 NPT	6MM	11MM	12MM	LFR106-004-NPT
STEEL STRAIGHT SCREW COUPLING	1/4 BSP	6MM	14MM	14MM	LFR106-005-L
STEEL STRAIGHT SCREW COUPLING	10X1	8MM	14MM	14MM	LFR108-003
SS STRAIGHT SCREW COUPLING	10X1	8MM	17MM	17MM	LFR108-003-VA-L
STEEL MALE CONNECTOR, STRAIGHT COUPLING	1/8 BSP	8MM	19MM	14MM	LFR108-004-L
STEEL STRAIGHT SCREW COUPLING	1/4 BSP	8MM	19MM	17MM	LFR108-005-L
STEEL STRAIGHT SCREW COUPLING	1/8 BSP	4MM	10MM	11MM	LFR104-004



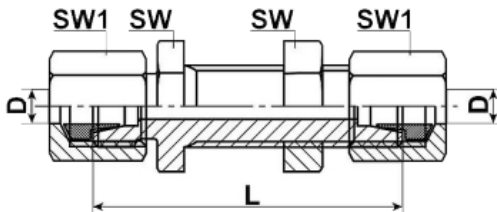
STRAIGHT CONNECTORS FOR STEEL TUBE

STRAIGHT CONNECTOR DESCRIPTION	D	D1	SW	SW1	SW2	PART NUMBER
STEEL CONNECTOR STRAIGHT	4MM	4MM	9MM	10MM	10MM	LFR104-000
STEEL CONNECTOR STRAIGHT	4MM	6MM	11MM	10MM	12MM	LFR104-000-6
SS CONNECTOR STRAIGHT	4MM	4MM	9MM	10MM	10MM	LFR104-000-VA
STEEL CONNECTOR STRAIGHT	6MM	6MM	11MM	12MM	12MM	LFR106-000
SS CONNECTOR STRAIGHT	6MM	6MM	11MM	10MM	12MM	LFR106-000-VA
STEEL CONNECTOR STRAIGHT	8MM	8MM	12MM	14MM	14MM	LFR108-000



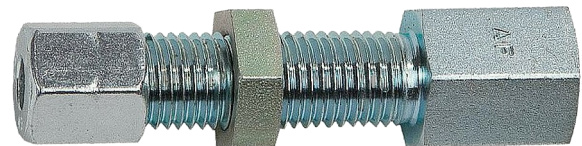
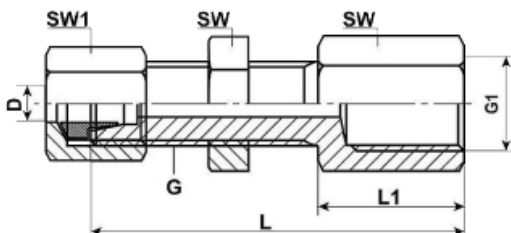
STRAIGHT BULKHEAD FOR STEEL TUBE

STRAIGHT BULKHEAD DESCRIPTION	D	SW	SW1	PART NUMBER
STEEL BULKHEAD STRAIGHT	6MM	17MM	14MM	LFR106-221-L



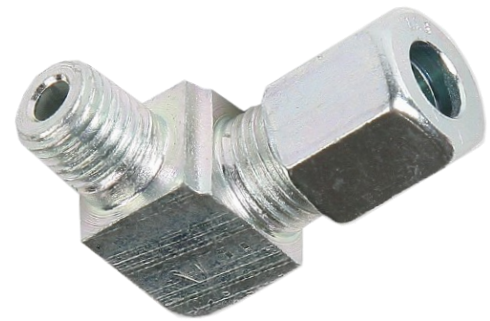
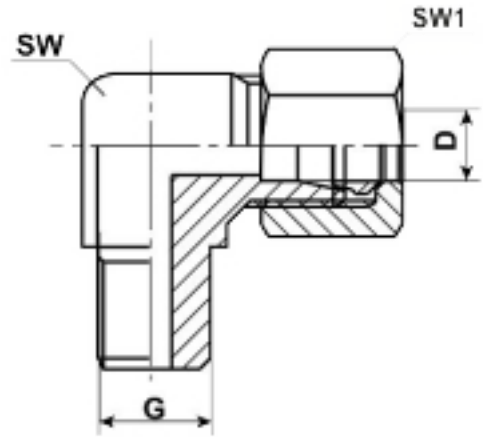
STRAIGHT BULKHEAD M 6x1 / M 10x1 FOR STEEL TUBE

STRAIGHT BULKHEAD	G	D	SW	SW1	L	L1	PART NUMBER
STEEL BULKHEAD STRAIGHT	10X1	6MM	17MM	14MM	60MM	20MM	LFR106-243-L



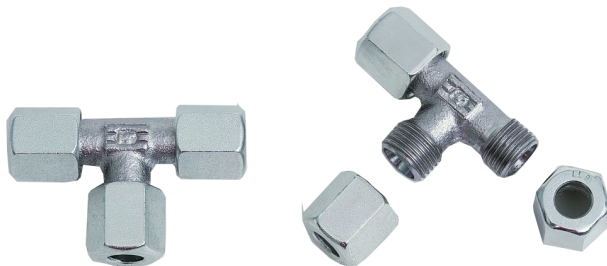
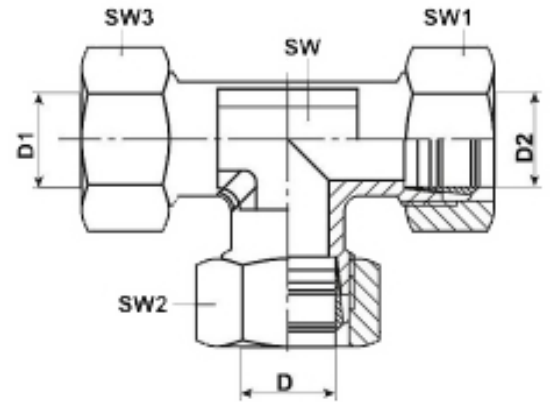
ELBOW SCREW FITTINGS FOR STEEL TUBE

ELBOW SCREW FITTING DESCRIPTION	G	D	SW	SW1	PART NUMBER
STEEL ELBOW SCREW FITTING COMPLETE	6X1	4MM	9MM	10MM	LFR104-101
STEEL ELBOW SCREW FITTING COMPLETE	8X1	4MM	9MM	10MM	LFR104-102
STEEL ELBOW SCREW FITTING COMPLETE	10X1	4MM	11MM	10MM	LFR104-103
STEEL ELBOW SCREW FITTING COMPLETE	1/8 BSP	4MM	11MM	10MM	LFR104-104
STEEL ELBOW SCREW FITTING COMPLETE	6X1	6MM	11MM	12MM	LFR106-101
SS ELBOW SCREW FITTING COMPLETE	6X1	6MM	11MM	12MM	LFR106-101-VA
STEEL ELBOW SCREW FITTING COMPLETE	8X1	6MM	11MM	12MM	LFR106-102
SS ELBOW SCREW FITTING COMPLETE	8X1	6MM	11MM <td 12MM	LFR106-102-VA	
STEEL ELBOW SCREW FITTING COMPLETE	10X1	6MM	11MM	12MM	LFR106-103
SS ELBOW SCREW FITTING COMPLETE	10X1	6MM	11MM	12MM	LFR106-103-VA
STEEL ELBOW SCREW FITTING COMPLETE	1/8 BSP	6MM	11MM	12MM	LFR106-104
STEEL ELBOW SCREW FITTING COMPLETE	1/8 NPT	6MM	11MM	12MM	LFR106-104-NPT
SS ELBOW SCREW FITTING COMPLETE	1/8 BSP	6MM	11MM	12MM	LFR106-104-VA
STEEL ELBOW SCREW FITTING COMPLETE	1/4 BSP	6MM	12MM	14MM	LFR106-105-L
STEEL ELBOW SCREW FITTING COMPLETE	10X1	8MM	12MM	14MM	LFR108-103
STEEL ELBOW SCREW FITTING COMPLETE	1/4 BSP	8MM	12MM	17MM	LFR108-105-L



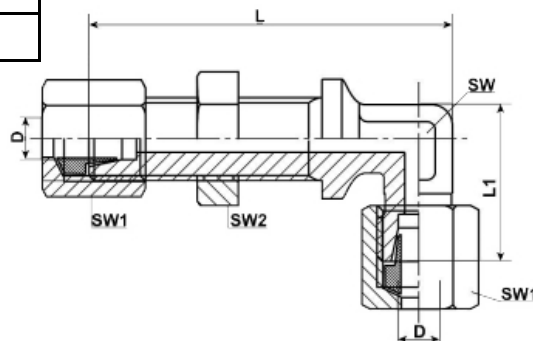
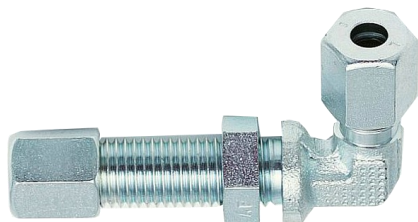
EQUAL TEE CONNECTORS FOR STEEL TUBE

EQUAL TEE CONNECTOR DESCRIPTION	D	SW	SW1	PART NUMBER
STEEL EQUAL TEE CONNECTOR	4MM	9MM	10MM	LFR104-300
STEEL EQUAL TEE CONNECTOR	6MM	11MM	12MM	LFR106-300
STEEL EQUAL TEE CONNECTOR	6MM	12MM	14MM	LFR106-300-L
STEEL EQUAL TEE CONNECTOR	8MM	12MM	14MM	LFR108-300
STEEL EQUAL TEE CONNECTOR	8MM	12MM	17MM	LFR108-300-L



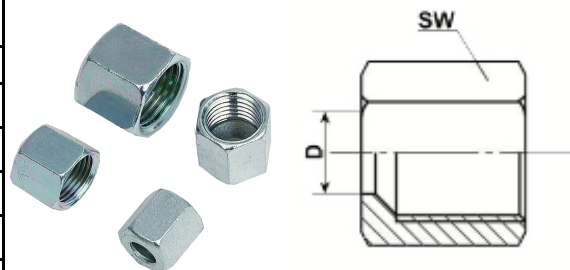
BULKHEAD ELBOW FOR STEEL TUBE

BULKHEAD ELBOW	D	SW	SW1	SW2	L	L1	PART NUMBER
STEEL BULKHEAD ELBOW	6MM	12MM	14MM	17MM	48MM	19MM	LFR106-231-L



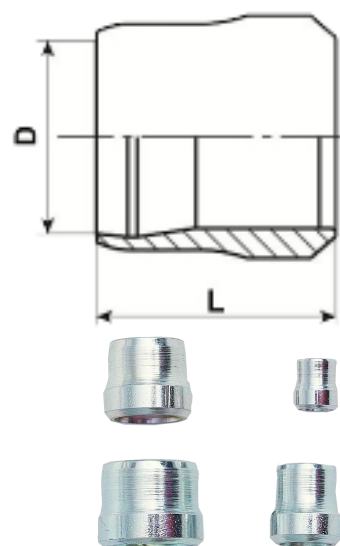
COUPLING NUTS FOR STEEL TUBE

EQUAL TEE CONNECTOR DESCRIPTION	D	SW	PART NUMBER
STEEL COUPLING NUT	6MM	17MM	LFR106-200-S
STEEL COUPLING NUT	6MM	14MM	LFR106-200-L
SS COUPLING NUT	6MM	12MM	LFR106-200-VA
STEEL COUPLING NUT	8MM	14MM	LFR108-200
STEEL COUPLING NUT	10MM	19MM	LFR110-200-L
STEEL COUPLING NUT	4MM	10MM	LFR104-200



CUTTING RINGS FOR STEEL TUBE

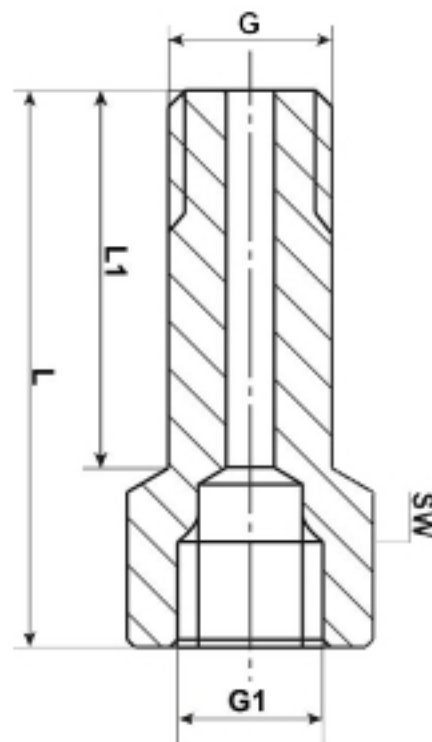
CUTTING RING DESCRIPTION	L	D	PART NUMBER
STEEL CUTTING RING	6MM	4MM	LFR104-210
STEEL CUTTING RING,	7MM	6MM	LFR106-210
STEEL CUTTING RING	9.45MM	10MM	LFR106-210-L
BRASS CUTTING RING	7MM	6MM	LFR106-210-MS
SS CUTTING RING	7MM	6MM	LFR106-210-VA
STEEL CUTTING RING	7.35MM	8MM	LFR108-210
STEEL CUTTING RING	9.5MM	10MM	LFR110-210-L



LUBE POINT EXTENSIONS

EXTENSIONS

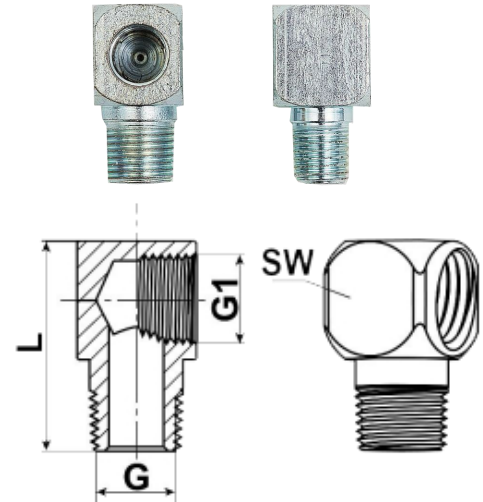
EXTENSION PIECE DESCRIPTION	G	G1	L	SW	PART NUMBER
STEEL EXTENSION PIECE - ADAPTER	(M) 6X1	(F) 8X1	19MM	11MM	LFR100-120
STEEL EXTENSION PIECE - ADAPTER	(M) 8X1	(F) 8X1	18MM	11MM	LFR100-130
STEEL EXTENSION PIECE - ADAPTER	(M) 8X1	(F) 8X1	32MM	11MM	LFR100-132
STEEL EXTENSION PIECE - ADAPTER	(M) 8X1	(F) 8X1	62.5MM	11MM	LFR100-135
STEEL EXTENSION PIECE - ADAPTER	(M) 8X1	(F) 10X1	23MM	13MM	LFR100-137
STEEL EXTENSION PIECE - ADAPTER	(M) 10X1	(F) 8X1	18MM	11MM	LFR100-140
STEEL EXTENSION PIECE - ADAPTER	(M) 10X1	(F) 10X1	23MM	13MM	LFR100-141
SS ADAPTER	(M) 10X1	(F) 10X1	23MM	13MM	LFR100-141-VA
STEEL EXTENSION PIECE - ADAPTER	(M) 10X1	(F) 10X1	18MM	13MM	LFR100-142
STEEL EXTENSION PIECE - ADAPTER	(M) 10X1	(F) 10X1	40MM	13MM	LFR100-143
STEEL EXTENSION PIECE - ADAPTER	(M) 1/8 BSP	(F) 10X1	20MM	17MM	LFR100-144
STEEL EXTENSION PIECE - ADAPTER	(M) 10X1	(F) 10X1	35MM	13MM	LFR100-145
STEEL EXTENSION PIECE - ADAPTER	(M) 10X1	(F) 10X1	50MM	13MM	LFR100-146
STEEL EXTENSION PIECE - ADAPTER	(M) 1/4 BSP	(F) 1/8 BSP	20MM	17MM	LFR100-147
STEEL ADAPTER, EXTENSION PIECE	(M) 1/8 BSP	(F) 1/8 BSP	23MM	13MM	LFR100-148
SS ADAPTER	(M) 1/8 BSP	(F) 1/8 BSP	23MM	13MM	LFR100-148-VA
STEEL ADAPTER, EXTENSION PIECE	(M) 1/8 BSP	(F) 1/8 BSP	35MM	13MM	LFR100-149
STEEL ADAPTER, EXTENSION PIECE	(M) 1/8 BSP	(F) 10X1	18MM	13MM	LFR100-151
STEEL ADAPTER, EXTENSION PIECE	(M) 1/8 BSP	(F) 1/8 BSP	18MM	13MM	LFR100-152
STEEL ADAPTER, EXTENSION PIECE	(M) 1/8 BSP	(F) 1/8 BSP	50MM	13MM	LFR100-153
STEEL ADAPTER, EXTENSION PIECE	(M) 1/8 BSP	(F) 1/4 BSP	22MM	17MM	LFR100-162
STEEL ADAPTER, EXTENSION PIECE	(M) 10X1	(F) 1/4 BSP	22MM	17MM	LFR100-171
SS ADAPTER	(M) 10X1	(F) 10X1	18MM	13MM	LFR2510-201
SS ADAPTER	(M) 10X1	(F) 10X1	35MM	13MM	LFR2510-202
SS ADAPTER	(M) 10X1	(F) 10X1	50MM	13MM	LFR2510-203
SS ADAPTER	(M) 1/8 BSP	(F) 1/8 BSP	18MM	11MM	LFR2510-204
SS ADAPTER	(M) 1/8 BSP	(F) 1/8 BSP	35MM	13MM	LFR2510-205
SS ADAPTER	(M) 1/8 BSP	(F) 1/8 BSP	50MM	13MM	LFR2510-206



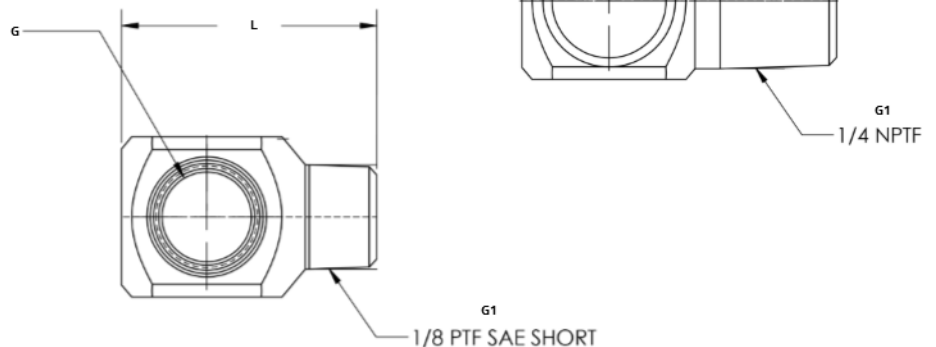
45° & 90° ELBOW ADAPTERS - METRIC/NPT

90° ELBOW ADAPTERS - METRIC

METRIC 90° ADAPTER DESCRIPTION	G	G1	L	SW	PART NUMBER
METRIC, STEEL ADAPTER 90°	(M) 8X1	(F) 8X1	23MM	12MM	LFR100-722
METRIC, STEEL ADAPTER 90°	(M) 10X1	(F) 10X1	23MM	13MM	LFR100-733
METRIC, STEEL ADAPTER 90°	(M) 1/8 BSP	(F) 1/8 BSP	23MM	13MM	LFR100-744
METRIC, SS ADAPTER 90°	(M) 10X1	(F) 10X1	23MM	13MM	LFR5011-201

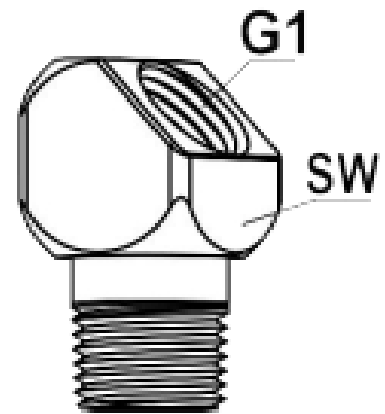
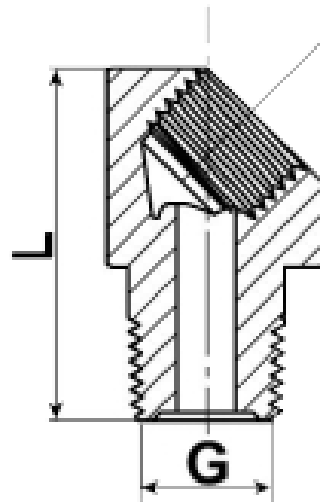


US 90° ADAPTER DESCRIPTION	G	G1	L	SW	PART NUMBER
US, 1/4 NPTF SS 303 ADAPTER 90°	(M) 1/4 NPSF	(F) 1/4 NPTF	1.25"	.625"	L590113-303
US, 1/4 NPTF SS 316 ADAPTER 90°	(M) 1/4 NPSF	(F) 1/4 NPTF	1.25"	.625"	L590113-316
US, 1/8 NPTF SS 303 ADAPTER 90°	(M) 1/8 NPSF	(F) 1/8 NPTF	1.00"	.625"	L590110-NPSF-303
US, 1/8 NPTF SS 316 ADAPTER 90°	(M) 1/8 NPSF	(F) 1/8 PTF SAE SHORT	1.00"	.625"	L590110-316



45° ELBOW ADAPTERS - METRIC

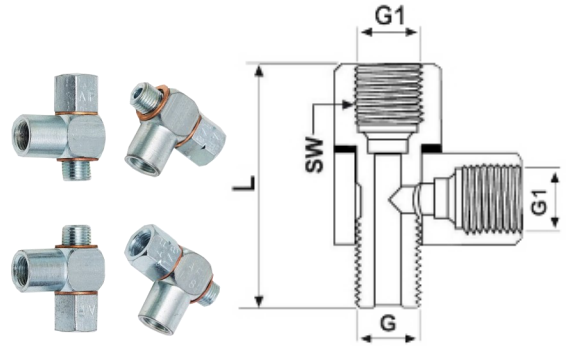
45° ADAPTER DESCRIPTION	G	G1	L	SW	PART NUMBER
STEEL ADAPTER 45°	(M) 8X1	(F) 8X1	23MM	13MM	LFR100-822
STEEL ADAPTER 45°	(M) 10X1	(F) 10X1	23MM	13MM	LFR100-833
STEEL ADAPTER 45°	(M) 1/8 BSP	(F) 1/8 BSP	23MM	13MM	LFR100-844
SS ADAPTER 45°	(M) 10X1	(F) 10X1	23MM	13MM	LFR5010-201



SWIVELS & BANJO FITTINGS - METRIC/NPT

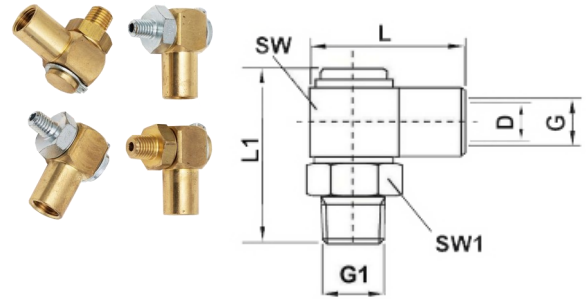
T-BANJO FITTINGS - METRIC

T-BANJO FITTING DESCRIPTION	G	G1	L	SW	PART NUMBER
ZINC PLATED STEEL T-BANJO SWIVEL FITTING	10X1	10X1	35MM	14MM	LFR100-323



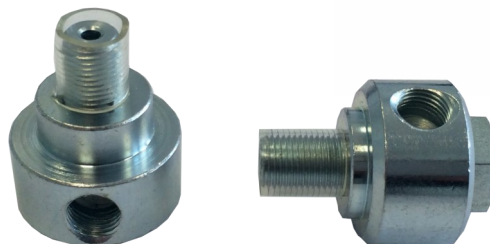
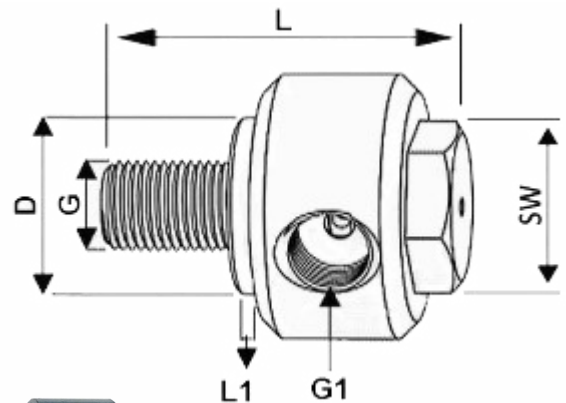
90° BANJO FITTINGS - METRIC

BANJO FITTING DESCRIPTION	G	G1	L	SW	SW1	D	H	PART NUMBER
BRASS BANJO FITTING FREELY MOVABLE 90°	(M) 10X1	(M) 8X1	29MM	15MM	14MM	6MM	30MM	LFR106-172
BRASS BANJO FITTING FREELY MOVABLE 90°	(M) 10X1	(M) 10X1	29MM	15MM	14MM	6MM	30MM	LFR106-173
BRASS BANJO FITTING FREELY MOVABLE 90°	(M) 10X1	1/8 BSP	29MM	15MM	14MM	6MM	30MM	LFR106-174



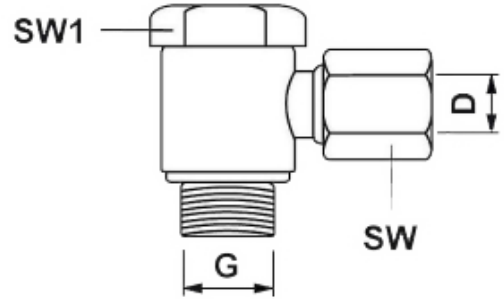
BANJOS FOR CONSTRUCTION VEHICLES - METRIC

BANJOS FOR CONSTRUCTION VEHICLES DESCRIPTION	G	G1	L	D	PART NUMBER
STEEL SWIVEL UNION 90°	10X1	10X1	3MM	20MM	LFR1021-101
STEEL SWIVEL UNION 90°	10X1	10X1	8MM	20MM	LFR1021-102
STEEL SWIVEL UNION 90°	1/8 BSP	1/8 BSP	3MM	20MM	LFR1022-101
STEEL SWIVEL UNION 90°	1/8 BSP	1/8 BSP	8MM	20MM	LFR1022-102



SWIVEL UNIONS - METRIC

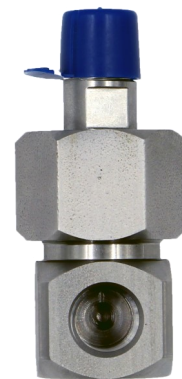
SWIVEL UNION	G	D	SW	SW1	PART NUMBER
STEEL SWIVEL UNION 90°	10X1	6MM	12MM	14MM	LFR106-123
STEEL SWIVEL UNION 90°	10X1	4MM	10MM	14MM	LFR1022-110



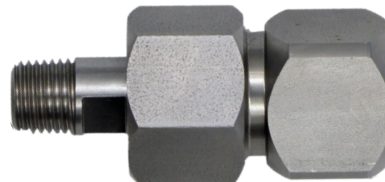
SWIVEL VALVE ASSEMBLIES - NPT

PRODUCT DESCRIPTION	CONNECTION TYPE	MATERIAL	PART NUMBER
SWIVEL ASSEMBLY 1/4 NPTF X 1/4 NPSF	90° ELBOW	CRS	L509405-000
SWIVEL ASSEMBLY 1/4 NPTF X 1/4 NPSF	90° ELBOW	303 SS	L509405-303
SWIVEL ASSEMBLY 1/4 NPTF X 1/4 NPSF	90° ELBOW	316 SS	L509405-316
SWIVEL ASSEMBLY 1/4 NPTF X 1/4 NPSF	STRAIGHT	CRS	L509406-000
SWIVEL ASSEMBLY 1/4 NPTF X 1/4 NPSF	STRAIGHT	303 SS	L509406-303
SWIVEL ASSEMBLY 1/4 NPTF X 1/4 NPSF	STRAIGHT	316 SS	L509406-316

90 DEGREE ELBOW CONNECTION



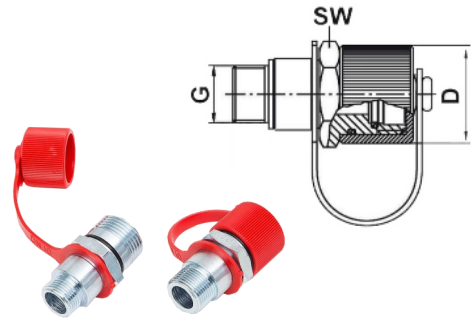
STRAIGHT CONNECTION



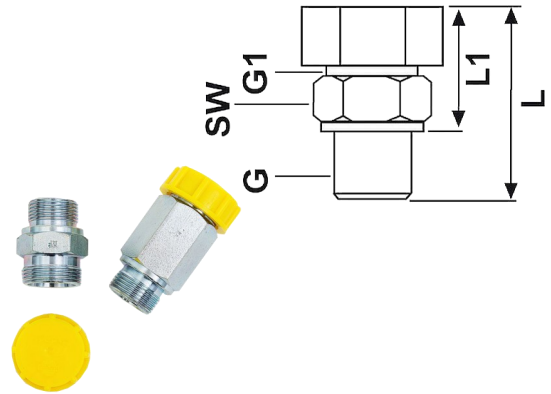
FILL FITTINGS - METRIC/NPTF

FILLING CONNECTION ADAPTERS

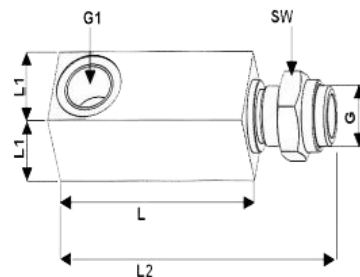
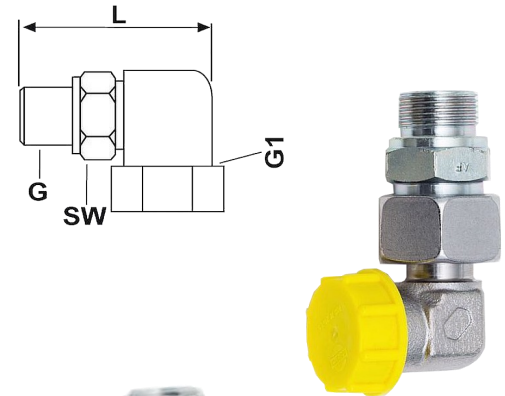
FILLING CONNECTION FOR FILLING PUMP	G	D	SW	PART NUMBER
STEEL FILLING CONNECTION FOR FILLING PUMP LFR100-201	(M) 20X1.5	34MM	32MM	LFR100-200
STEEL FILLING CONNECTION FOR FILLING PUMP LFR100-201	(M) 22X1.5	34MM	32MM	LFR100-208



STRAIGHT FILLING CONNECTION DESCRIPTION	G	G1	L	L1	SW	PART NUMBER
STEEL FILLING CONNECTION STRAIGHT	(M) 22X1.5	(M) 26X1.5	38MM	26MM	27MM	LFR100-202
STEEL FILLING CONNECTION STRAIGHT	(M) 20X1.5	(M) 26X1.5	60MM	48MM	27MM	LFR100-207



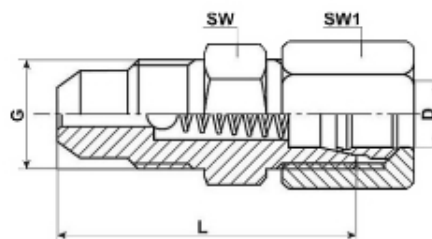
90° FILLING CONNECTION DESCRIPTION	G	G1	L	L1	L2	SW	PART NUMBER
STEEL ADAPTER FILLING CONNECTION 90° WITH STUB	(M) 20X1.5	(M) 20X1.5	82MM	30MM	115MM	27MM	LFR5022-101
STEEL ADAPTER FILLING CONNECTION 90° WITH STUB	(M) 20X1.5	(M) 20X1.5	47MM	30MM	80MM	27MM	LFR5022-102
STEEL ADAPTER FILLING CONNECTION 90° WITH STUB	(M) 22X1.5	(M) 22X1.5	82MM	30MM	115MM	27MM	LFR5022-103
STEEL ADAPTER FILLING CONNECTION 90° WITH STUB	(M) 22X1.5	(M) 22X1.5	47MM	30MM	80MM	27MM	LFR5022-104
STEEL FILLING CONNECTION 90° WITHOUT STUB	(M) 22X1.5	(M) 26X1.5	71MM	N/A	N/A	27MM	LFR100-203



CHECK (NON-RETURN VALVES - METRIC/NPTF)

NON-RETURN VALVES

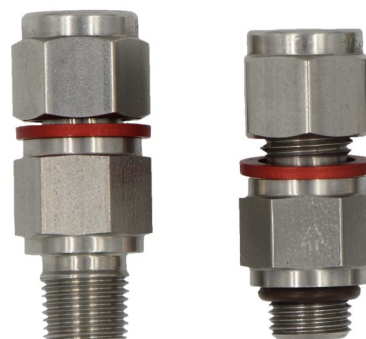
NON-RETURN VALVE DESCRIPTION	G	G1	D	SW	SW1	PART NUMBER
STEEL NON-RETURN VALVE COMPLETE	10X1	10X1	6MM	11MM	12MM	LFR106-003-RVB
STEEL NON-RETURN VALVE COMPLETE	10X1	10X1	6MM	11MM	12MM	LFR106-003-RVL
STEEL NON-RETURN VALVE COMPLETE	10X1	10X1	6MM	11MM	12MM	LFR106-003-RVV
STEEL NON-RETURN VALVE ADAPTER 24° WITHOUT CLAMPING RING	10X1	10X1	6MM	11MM	N/A	LFR106-033-RVB
STEEL NON-RETURN VALVE ADAPTER 24° WITH CLAMPING RING	10X1	10X1	6MM	11MM	N/A	LFR106-033-RVL
STEEL NON-RETURN VALVE ADAPTER 24°	10X1	10X1	6MM	11MM	N/A	LFR106-033-RVV



CHECK VALVES—OCV SERIES - NPT

OUTLET TYPE WITH SINGLE BALL

CHECK VALVE DESCRIPTION			PART NUMBER		
INLET SIZE	OUTLET SIZE	BALL OPEN PSI	303 STAINLESS	316 STAINLESS	ADAPTER REQUIREMENTS
1/8" NPTF (M)	1/4" TUBE	35	OCV-303-125-NPTF	OCV-316-125-NPTF	INTEGRAL TUBE FITTING
1/8" ORS (M)	1/4" TUBE	35	OCV-303-125-ORS	OCV-316-125-ORS	INTEGRAL TUBE FITTING
1/8" BSPP (M)	6MM TUBE	35	OCV-303-125-BSPP	OCV-316-125-BSPP	INTEGRAL TUBE FITTING
M10 ISO (M)	6MM TUBE	35	OCV-303-125-ISO	OCV-316-125-ISO	INTEGRAL TUBE FITTING
7/16"-20 SAE (M)	1/4" TUBE	35	OCV-303-125-SAE	OCV-316-125-SAE	INTEGRAL TUBE FITTING



CHECK VALVES - OCV SERIES - NPT

OUTLET TYPE WITH SINGLE BALL CHECK VALVES

CHECK VALVE DESCRIPTION			PART NUMBER		
INLET SIZE	OUTLET SIZE	BALL OPEN PSI	303 STAINLESS	316 STAINLESS	ADAPTER REQUIREMENTS
1/8" NPSF (M)	1/8" NPTF (F)	35	OCV-303-125R-35	OCV-316-125R-35	TUBE FITTING
1/8" NPSF (M)	1/8" NPTF (F)	60	OCV-303-125R-60	OCV-316-125R-60	TUBE FITTING
1/8" NPSF (M)	1/8" NPTF (F)	250	OCV-303-125R-250	OCV-316-125R-250	TUBE FITTING
1/4" NPTF (M)	1/4" NPSF (F)	35	OCV-303-250R-35	OCV-316-250R-35	TUBE FITTING



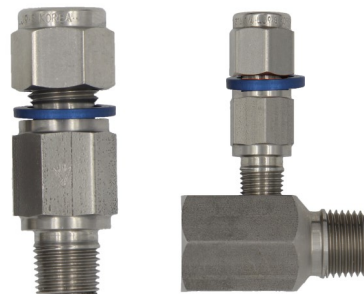
* FOR CHECK VALVE BULLETINS AND OPERATION/FUNCTION DETAILS PLEASE REFER TO BULLETINS: LSM011 & LSM029

CHECK (NON-RETURN VALVES - METRIC/NPTF) (CONTINUED)

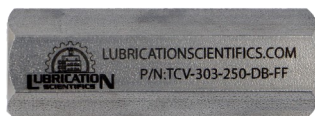
CHECK VALVES - TCV SERIES - NPT TERMINATING (INJECTION) DOUBLE BALL CHECK VALVES

CHECK VALVE DESCRIPTION			PART NUMBER		
INLET SIZE	OUTLET SIZE	BALL OPEN PSI	303 STAINLESS	316 STAINLESS	ADAPTER REQUIREMENTS
1/4" TUBE	1/8" NPTF (M)	35	TCV-303-125-NPTF	TCV-316-125-NPTF	INTEGRAL TUBE FITTING
6MM TUBE	1/8" BSPP (M)	35	TCV-303-125-BSPP	TCV-316-125-BSPP	INTEGRAL TUBE FITTING
6MM TUBE	M10 (M)	35	TCV-303-125-ISO	TCV-316-125-ISO	INTEGRAL TUBE FITTING
1/4" TUBE	7/16"-20 SAE	35	TCV-303-125-SAE	TCV-316-125-SAE	INTEGRAL TUBE FITTING
1/4" NPSF (F)**	1/4" NPSF (F)	50	TCV-303-250-DB-FF	TCV-316-250-DB-FF	INLET & OUTLET
1/4" NPSF (F)**	1/8" NPTF (M)	50	TCV-303-250-DB-FM2	TCV-316-250-DB-FM2	INLET
1/4" NPSF (F)**	1/4" NPTF (M)	50	TCV-303-250-DB-FM4	TCV-316-250-DB-FM4	INLET

INTEGRAL ADAPTER



** HIGH OUTPUT



HIGH OUTPUT ADAPTER



CHECK VALVES - TCV SERIES - NPT TERMINATING (INJECTION) SINGLE BALL CHECK VALVES

CHECK VALVE DESCRIPTION			PART NUMBER		
INLET SIZE	OUTLET SIZE	BALL OPEN PSI	303 STAINLESS	316 STAINLESS	ADAPTER REQUIREMENTS
1/8" NPSF (F)	1/8" NPTF (M)	35	TCV-303-125-35	TCV-316-125-35	TUBE FITTING
1/8" NPSF (F)	1/8" NPTF (M)	60	TCV-303-125-60	TCV-316-125-60	TUBE FITTING
1/8" NPSF (F)	1/8" NPTF (M)	250	TCV-303-125-250	TCV-316-125-250	TUBE FITTING
1/4"NPTF (F)	1/4" NPSF (M)	35	TCV-303-250-35	TCV-316-250-35	TUBE FITTING



* FOR CHECK VALVE BULLETINS AND OPERATION/FUNCTION DETAILS PLEASE REFER TO BULLETINS: LSM011 & LSM029

CHECK (NON-RETURN VALVES - METRIC/NPTF) (CONTINUED)

CHECK VALVE ADAPTERS, TERMINATING (INJECTION) - NPT

ADAPTS CHECK VALVES—FOR USE IN EITHER 1/8" NPTF OR 1/4" NPTF INJECTION PORTS
FOR HIGH OUTPUT: INSTALL SELECTED ADAPTER INTO OUTPUT END OF CHECK VALVE
FOR INTEGRAL FITTING: INSTALL CHECK VALVE INTO SIDE OF SELECTED ADAPTER

CHECK VALVE DESCRIPTION			PART NUMBER	
INLET SIZE	OUTLET SIZE	USE WITH	303 STAINLESS	316 STAINLESS
1/4" NPSF (F)	1/8" NPTF (M)	HIGH OUTPUT DOUBLE BALL CHECK	DBFFADP-2-303	DBFFADP-2-316
1/4" NPSF (F)	1/4" NPTF (M)	HIGH OUTPUT DOUBLE BALL CHECK	DBFFADP-4-303	DBFFADP-4-316
1/8" NPSF (F)	1/8" NPTF (M)	1/8" NPTF TERMINATING CHECK	TCVADP-2-303	TCVADP-2-316
1/8" NPSF (F)	1/4" NPTF (M)	1/8" NPTF TERMINATING CHECK	TCVADP-4-303	TCVADP-4-316

HIGH OUTPUT



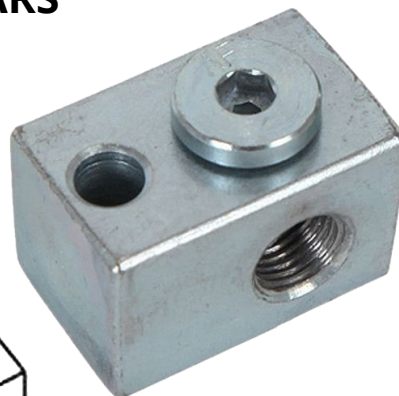
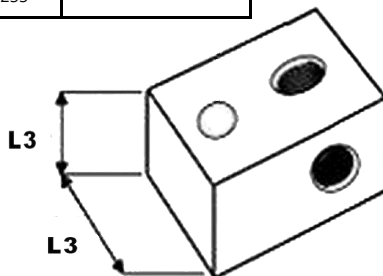
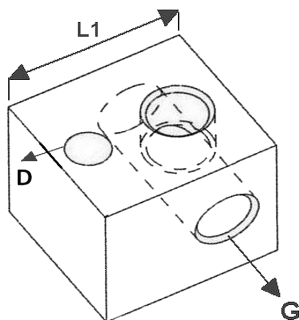
INTEGRAL ADAPTERS



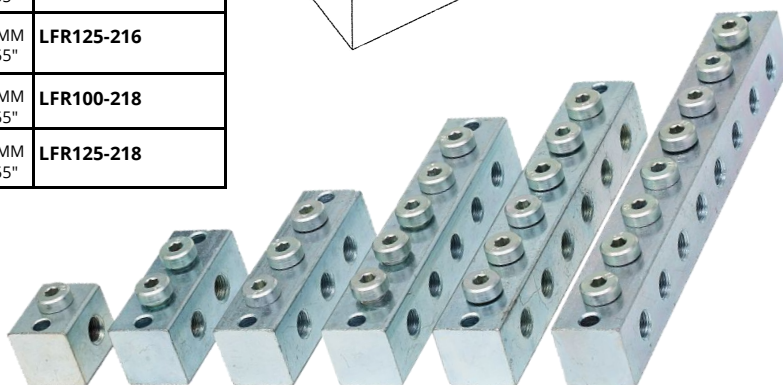
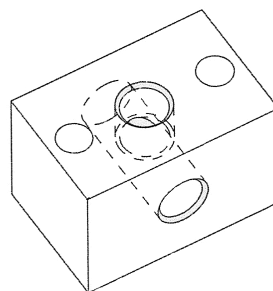
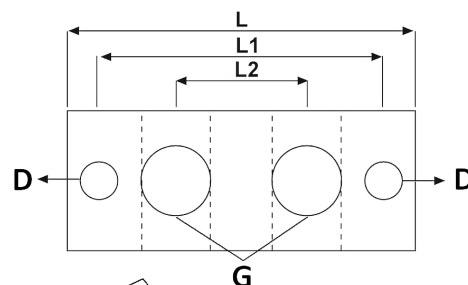
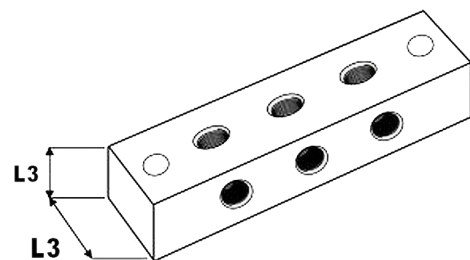
* FOR CHECK VALVE BULLETINS AND OPERATION/FUNCTION DETAILS PLEASE REFER TO BULLETINS: LSM011 & LSM029

ZERK (MANUAL LUBE) BARS

1 MOUNTING HOLE GREASE BLOCK DESCRIPTION	G	L	L3	D	PART NUMBER
METRIC, M10 X 1 PORT (1 LINE)	(M) 10X1	30MM 1.18"	25MM 1.00"	6.5MM .255"	LFR100-211
US, 1/8 NPSF (1 LINE)	1/8-27 NPSF	30MM 1.18"	25MM 1.00"	6.5MM .255"	LFR125-211



2 MOUNTING HOLE GREASE BLOCK DESCRIPTION	G	L	L1	L2	L3	D	PART NUMBER
METRIC, M10 X 1 PORTS (2 LINE)	(M) 10X1	60MM 2.36"	50MM 1.97"	22MM .866"	25MM 1.00"	6.5MM .255"	LFR100-212
US, 1/8 NPSF (2 LINE)	1/8-27 NPSF	60MM 2.36"	50MM 1.97"	22MM .866"	25MM 1.00"	6.5MM .255"	LFR125-212
METRIC, M10 X 1 PORTS (3 LINE)	M10 X 1	84MM 3.31"	74MM 2.91"	22MM .866"	25MM 1.00"	6.5MM .255"	LFR100-213
US, 1/8 NPSF (3 LINE)	1/8-27 NPSF	84MM 3.31"	74MM 2.91"	22MM .866"	25MM 1.00"	6.5MM .255"	LFR125-213
METRIC, M10 X 1 PORTS (4 LINE)	(M) 10X1	106MM 4.17"	96MM 3.78"	22MM .866"	25MM 1.00"	6.5MM .255"	LFR100-214
US, 1/8 NPSF (4 LINE)	1/8-27 NPSF	106MM 4.17"	96MM 3.78"	22MM .866"	25MM 1.00"	6.5MM .255"	LFR125-214
METRIC, M10 X 1 PORTS (5 LINE)	(M) 10X1	128MM 5.04"	118MM 4.65"	22MM .866"	25MM 1.00"	6.5MM .255"	LFR100-215
US, 1/8 NPSF (5 LINE)	1/8-27 NPSF	128MM 5.04"	118MM 4.65"	22MM .866"	25MM 1.00"	6.5MM .255"	LFR125-215
METRIC, M10 X 1 PORTS (6 LINE)	(M) 10X1	150MM 5.91"	140MM 5.51"	22MM .866"	25MM 1.00"	6.5MM .255"	LFR100-216
US, 1/8 NPSF (6 LINE)	1/8-27 NPSF	150MM 5.91"	140MM 5.51"	22MM .866"	25MM 1.00"	6.5MM .255"	LFR125-216
METRIC, M10 X 1 PORTS (8 LINE)	(M) 10X1	194MM 7.64"	184MM 7.25"	22MM .866"	25MM 1.00"	6.5MM .255"	LFR100-218
US, 1/8 NPSF (8 LINE)	1/8-27 NPSF	194MM 7.64"	184MM 7.25"	22MM .866"	25MM 1.00"	6.5MM .255"	LFR125-218

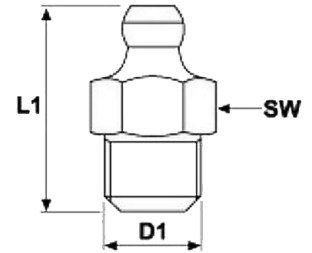


NOTE: ALL DIMENSION PROVIDED ARE +/- 1/16"

GREASE (ZERK) FITTINGS, FILL FITTINGS & CLOSURE PLUGS

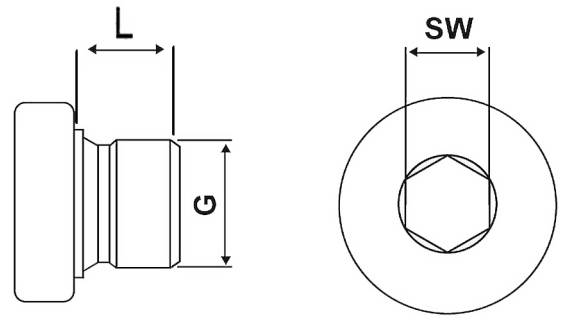
GREASE NIPPLES

GREASE NIPPLE DESCRIPTION	G	L	PSI/BAR	PART NUMBER
ZINC PLATED STEEL HIGH PRESSURE GREASE NIPPLE	10X1	20.7MM	5800/400	LFR250-003-RV



CLOSURE PLUGS

CLOSURE PLUG DESCRIPTION	G	L	SW	PART NUMBER
US, 1/8 NPSF (WITH O RING)	1/8-2 ORS	6.25MM	3/16"	A-002-S
US, BASEPLATE ISO PLUG	(M) 10X1	12MM	3/16"	A-003-S
US, 1/8-28 BSP SEAL PLUG	1/8-28BSPP	10MM	3/16"	A-004-S
US, 1/8-27 NPS SEAL PLUG	1/8-27NPS	10MM	3/16"	A-005-S
US, MANUAL FILL FITTING 303 (WITH CAP & O-RING)	1/8-27 ORS	6.5MM	3/16"	L90471-ORS-303
US, MANUAL FILL FITTING 316 (WITH CAP & O-RING)	1/8-27 ORS	6.5MM	3/16"	L90471-ORS-316
INTERNAL CHECK KIT 303 (CAP O-RING BALL SPRING)	N/A	N/A	N/A	1202-430
INTERNAL CHECK KIT 316 (CAP O-RING BALL SPRING)	N/A	N/A	N/A	FL316-430
STEEL CLOSURE PLUG	(M) 10X1	4.5MM	5MM	LFR100-243
STEEL CLOSURE PLUG	(M) 10X1	4.5MM	5MM	LFR100-243-SW



LFR100-243



1202-430



LFR100-243-SW



A-002-S



A-003-S



A-004-S



A-005-S



L90471-ORS-303

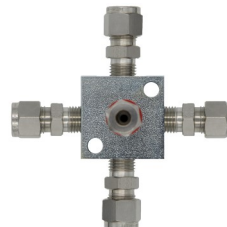
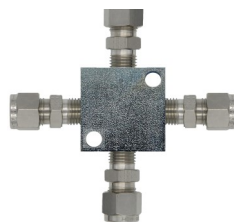


ANCHOR BLOCKS & HOSE DROPS - NPTF

PRODUCT DESCRIPTION	CARBON STEEL	303 STAINLESS STEEL	316 STAINLESS STEEL
4 WAY CROSS 1/8 NPSF (X4) 9/32 MTG HOLE	L509189-000	L509189-303	L509189-316
4 WAY CROSS 1/4 NPSF (X4) 9/32 MTG HOLE	L509188-000	L509188-303	L509188-316
5 WAY CROSS 1/4 NPSF (X4) 1/8 NPSF (X1) 9/32 MTG HOLE	L509190-000	L509190-303	L509190-316
2 WAY STRAIGHT 1/8 NPSF (X2) 9/32 MTG HOLE	L509180-000	L509180-303	L509180-316
2 WAY STRAIGHT 1/4 NPSF (X2) 9/32 MTG HOLE	L509185-000	L509185-303	L509185-316
90 DEGREE ELBOW 1/8 NPSF (X2) 9/32 MTG HOLE	L509170-000	L509170-303	L509170-316
90 DEGREE ELBOW 1/4 NPSF (X2) 9/32 MTG HOLE	L509175-000	L509175-303	L509175-316
SIDE IN FRONT OUT 1/4 NPSF (X2) 17/64 MTG	L509177-000	L509177-303	L509177-316

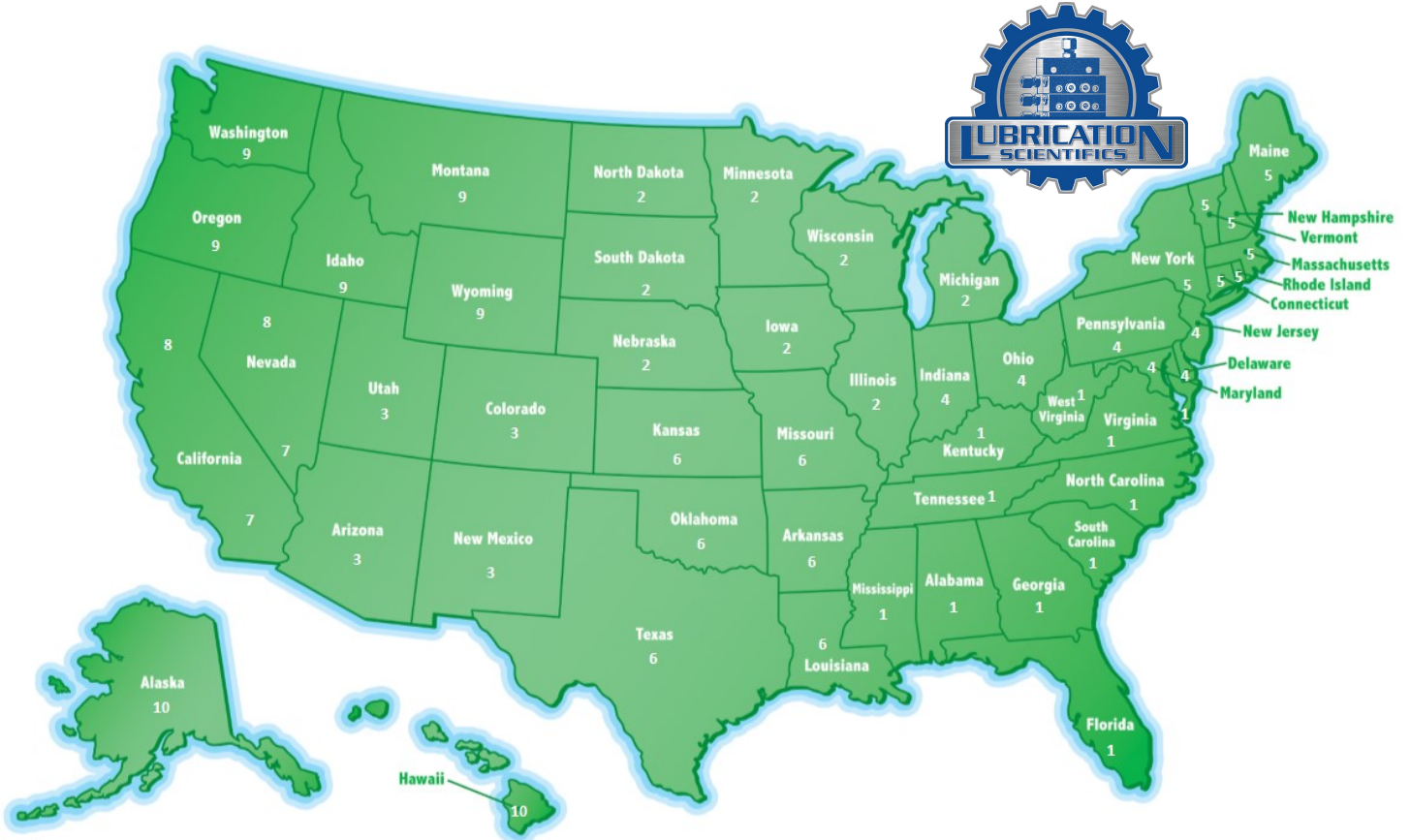


DIMENSIONS & MOUNTING INFORMATION DIMENSIONS ARE IN INCHES



CONTACT US

IN THE USA, FIND YOUR STATE IN THE MAP BELOW, LOOK FOR THE REGION ID NUMBER AND FIND THAT NUMBER IN THE CONTACT INFORMATION CHART.



CONTACT INFORMATION CHART

1	Call Factory Direct - 877-452-0157	Outside of the United States	Call Factory Direct - 877-452-0157
2	David Donahue Cell: 414-507-9513 Email: d.donahue@lubricationscientifics.com	7	Richard Hanley - California - Santa Barbara, Ventura, Los Angeles, Orange, San Bernardino, Riverside, San Diego and Imperial Counties. Nevada - Clark County. Cell: 714-625-5539 Email: rth@lubricationscientifics.com
3	Bernie Sauve + El Paso Texas Cell: 210-702-9930 Email: bernie@lubricationscientifics.com	8	California - All Counties not covered by Richard. Nevada - All Counties except Clark County. Call Factory Direct - 877-452-0157
4	Andy Kromer Cell: 440-364-4721 Email: aklub@lubricationscientifics.com	9	Call Factory Direct - 877-452-0157
5	Call Factory Direct - 877-452-0157	10	Call Factory Direct - 877-452-0157
6	Cory Walker Cell: 832-585-7065 Email: c.walker@lubricationscientifics.com		

Customer Service (877-452-0157)

- ◆ Order status & order entry
- ◆ Pricing inquiries
- ◆ Part number look-ups
- ◆ Product availability information
- ◆ Shipment assistance
- ◆ All other general inquires

www.lubricationsscintifics.com

- ◆ Product information, specifications, literature
- ◆ Locate sales reps and distributors
- ◆ Operator & Repair manuals
- ◆ Distributer Information
- ◆ Place orders and check current pricing
- ◆ Product Pricing



LUBRICATION SCIENTIFICS, LLC

17651 ARMSTRONG AVE.

IRVINE, CA 92614

UNITED STATES OF AMERICA

TOLL FREE TEL: (877) 452-0157, LOCAL TEL: (714) 557-0664, FAX: (714) 546-4564

WWW.LUBRICATIONSCIENTIFICS.COM