

# CONTAMINATION PREVENTION ELECTRIC PUMP PACKAGES



READY FOR IMMEDIATE SHIPMENT

MADE IN



[WWW.LUBRICATIONSCIENTIFICS.COM](http://WWW.LUBRICATIONSCIENTIFICS.COM)

## LCPR PUMP PACKAGES

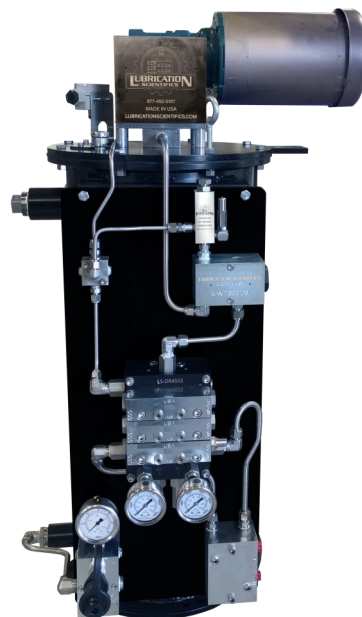
24 VOLT DC PUMP PACKAGE DESCRIPTION	44 POUND / 20 KG RESERVOIR	60 POUND / 28 KG RESERVOIR	90 POUND / 40 KG RESERVOIR
<b>LCPR - 24 VDC SMALL SYSTEM PACKAGE</b> <b>OUTPUT 5.5 CU IN/MIN</b> INCLUDES: BARE 24VDC PUMP, FOLLOWER, PRV, FILTER, FULLY ASSEMBLED & INSTALLATION READY	LCPR-44-E24DC-LO	LCPR-60-E24DC-LO	LCPR-90-E24DC-LO
<b>LCPR - 24 VDC LARGE SYSTEM PACKAGE</b> <b>OUTPUT 11.0 CU IN/MIN</b> INCLUDES: BARE 24VDC PUMP, FOLLOWER, PRV, FILTER, FULLY ASSEMBLED & INSTALLATION READY	LCPR-44-E24DC	LCPR-60-E24DC	LCPR-90-E24DC
115 VOLT AC PUMP PACKAGE DESCRIPTION	44 POUND / 20 KG RESERVOIR	60 POUND / 28 KG RESERVOIR	90 POUND / 40 KG RESERVOIR
<b>LCPR - 115 VAC, 1PH STANDARD DUTY PACKAGE</b> <b>OUTPUT 11.0 CU IN/MIN</b> INCLUDES: BARE 110 VAC PUMP, FOLLOWER, PRV, FILTER, FULLY ASSEMBLED & INSTALLATION READY	LCPR-44-E110AC	LCPR-60-E110AC	LCPR-90-E110AC
115-230 VAC 1PH PUMP PACKAGE DESCRIPTION	44 POUND / 20 KG RESERVOIR	60 POUND / 28 KG RESERVOIR	90 POUND / 40 KG RESERVOIR
<b>LCPR - 115-230 VAC, 1PH HEAVY DUTY PACKAGE</b> <b>OUTPUT 11.0 CU IN/MIN</b> INCLUDES: BARE 115-230 VAC PUMP, FOL- LOWER, PRV, FILTER, FULLY ASSEMBLED & INSTALLATION READY	LCPR-44-E230AC	LCPR-60-E230AC	LCPR-90-E230AC
<b>LCPR - 115-230 VAC, 1PH HEAVY DUTY PACKAGE</b> <b>EXPLOSION PROOF MOTOR</b> <b>OUTPUT 11.0 CU IN/MIN</b> INCLUDES: BARE 115-230 VAC PUMP, FOL- LOWER, PRV, FILTER, FULLY ASSEMBLED & INSTALLATION READY	LCPR-44-E230AC-XP	LCPR-60-E230AC-XP	LCPR-90-E230AC-XP
<b>LCPR - 115-230 VAC, 1PH HEAVY DUTY PACKAGE</b> <b>HIGH OUTPUT 16.5 CU IN/MIN</b> INCLUDES: BARE 115-230 VAC PUMP, FOL- LOWER, PRV, FILTER, FULLY ASSEMBLED & INSTALLATION READY	LCPR-44-E230AC-HO	LCPR-60-E230AC-HO	LCPR-90-E230AC-HO
<b>LCPR - 115-230 VAC, 1PH HEAVY DUTY PACKAGE</b> <b>EXPLOSION PROOF MOTOR</b> <b>HIGH OUTPUT 16.5 CU IN/MIN</b> INCLUDES: BARE 115-230 VAC PUMP, FOL- LOWER, PRV, FILTER, FULLY ASSEMBLED & INSTALLATION READY	LCPR-44-E230AC-XP-HO	LCPR-60-E230AC-XP-HO	LCPR-90-E230AC-XP-HO

## LCPR PUMP PACKAGES (CONTINUED)

208-460 VOLT AC 3PH PUMP PACKAGE DESCRIPTION	44 POUND / 20 KG RESERVOIR	60 POUND / 28 KG RESERVOIR	90 POUND / 40 KG RESERVOIR
<b>LCPR - 208-460 VAC, 3PH HEAVY DUTY PACKAGE OUTPUT 11.0 CU IN/MIN</b> INCLUDES: BARE 208-460 VAC 3PH PUMP, FOLLOWER, PRV, FILTER FULLY ASSEMBLED & INSTALLATION READY	LCPR-44-E460AC	LCPR-60-E460AC	LCPR-90-E460AC
<b>LCPR - 208-460 VAC, 3PH HEAVY DUTY PACKAGE EXPLOSION PROOF MOTOR OUTPUT 11.0 CU IN/MIN</b> INCLUDES: BARE 208-460 VAC 3PH PUMP, FOLLOWER, PRV, FILTER, FULLY ASSEMBLED & INSTALLATION READY	LCPR-44-E460AC-XP	LCPR-60-E460AC-XP	LCPR-90-E460AC-XP
<b>LCPR - 208-460 VAC, 3PH HEAVY DUTY PACKAGE HIGH OUTPUT 16.5 CU IN/MIN</b> INCLUDES: BARE 208-460 VAC 3PH PUMP, FOLLOWER, PRV, FILTER FULLY ASSEMBLED & INSTALLATION READY	LCPR-44-E460AC-HO	LCPR-60-E460AC-HO	LCPR-90-E460AC-HO
<b>LCPR - 208-460 VAC, 3PH HEAVY DUTY PACKAGE EXPLOSION PROOF MOTOR HIGH OUTPUT 16.5 CU IN/MIN</b> INCLUDES: BARE 208-460 VAC 3PH PUMP, FOLLOWER, PRV, FILTER, FULLY ASSEMBLED & INSTALLATION READY	LCPR-44-E460AC-XP-HO	LCPR-60-E460AC-XP-HO	LCPR-90-E460AC-XP-HO

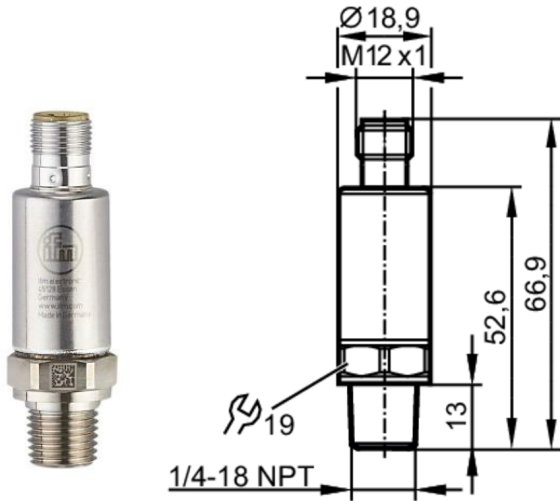
## SYSTEM SPECIFIC RESERVOIR OPTIONS

ALL LCPR PAUMP PACKAGES ARE READY FOR INSTALLATION IN SERIES PROGRESSIVE (DIVIDER VALVE) APPLICATIONS.  
 FACTORY BUILT PUMP PACKAGES ARE AVAILABLE FOR INJECTOR AND DUAL LINE SYSTEMS.  
 CHOOSE THE SYSTEM YOU NEED BY ADDING THE FOLLOWING SUFFIX TO THE BASIC PART NUMBER.



FOR INJECTOR PACKAGES ADD **ICS** SUFFIX TO ALL PART NUMBERS    FOR DUAL LINE PACKAGES ADD **DLP** SUFFIX TO ALL PART NUMBERS

# LCPR-ICSK—INJECTOR CENTRAL STATION KIT SPECIFICATIONS

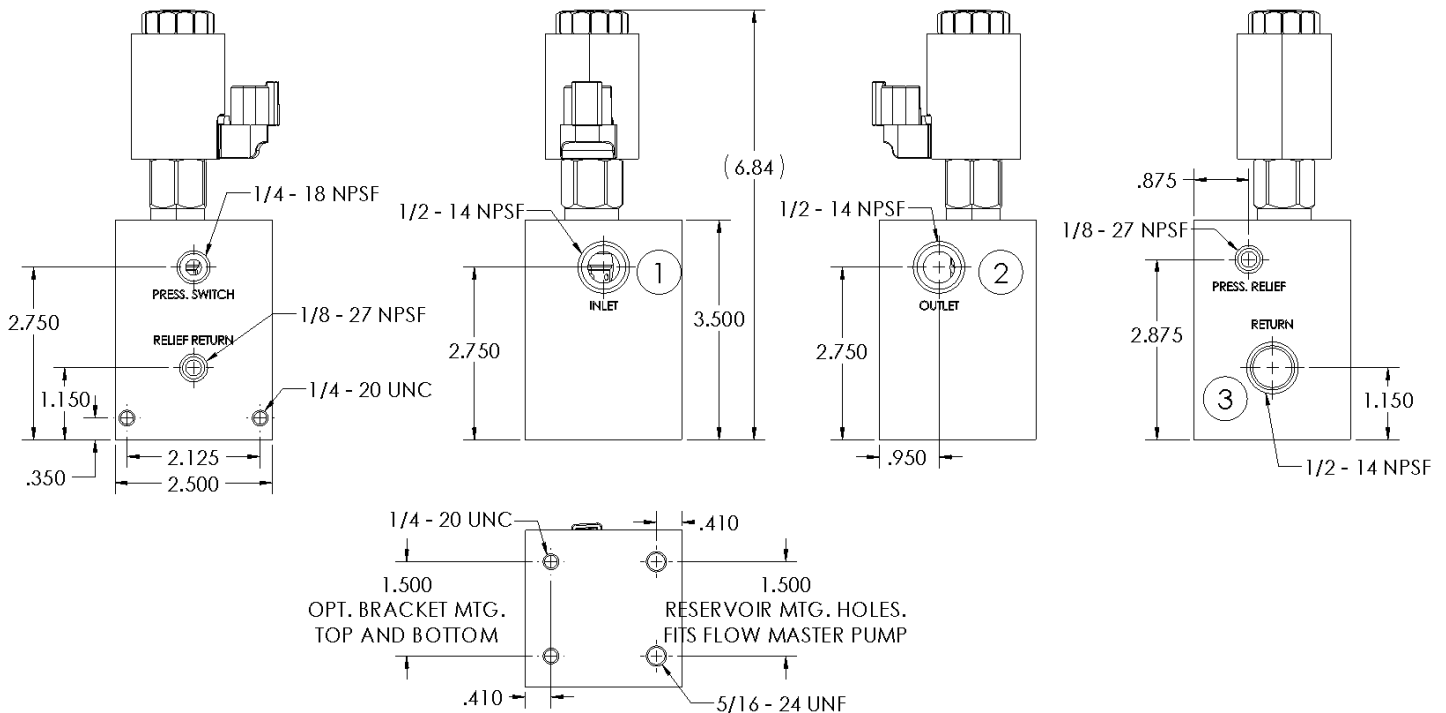


LP-HPS-PV7601 PRESSURE SWITCH SPECIFICATIONS	
OPERATING VOLTAGE	18-30 VDC, 2, PNP
PRESSURE RANGE	0 - 3,625 PSI
FACTORY SET PRESSURE	3,000 PSI
CONNECTION	1/4" NPT (M)
MATERIAL	316L STAINLESS

## VENT VALVE OPERATION:

THIS SOLENOID-OPERATED 2-WAY, 2-POSITION VENT VALVE IS A DIRECT-ACTING, POPPET STYLE DIRECTIONAL VALVE. THE VALVE IS NORMALLY OPEN BETWEEN PORTS 1 INLET 2 OUTLET AND 3 RETURN. ENERGIZING THE VALVE ALLOWS FLOW THROUGH PORT 1 INLET AND PORT 2 OUTLET BLOCKING FLOW TO PORT 3 RETURN. PRESSURE IN PORT 1 INLET AND PORT 2 OUTLET IS VENTED THROUGH PORT 3 RETURN WHEN DE-ENERGIZED.

VENT VALVE SPECIFICATIONS	
MAX OPERATING PRESSURE	5,000 PSI
MATERIAL	ZINC PLATED CARBON STEEL
VOLTAGE	24VDC
DUTY CYCLE	100%
VALVE INSTALL TORQUE	30-35 lbf ft
TEMP. RANGE	-22 TO 230° F

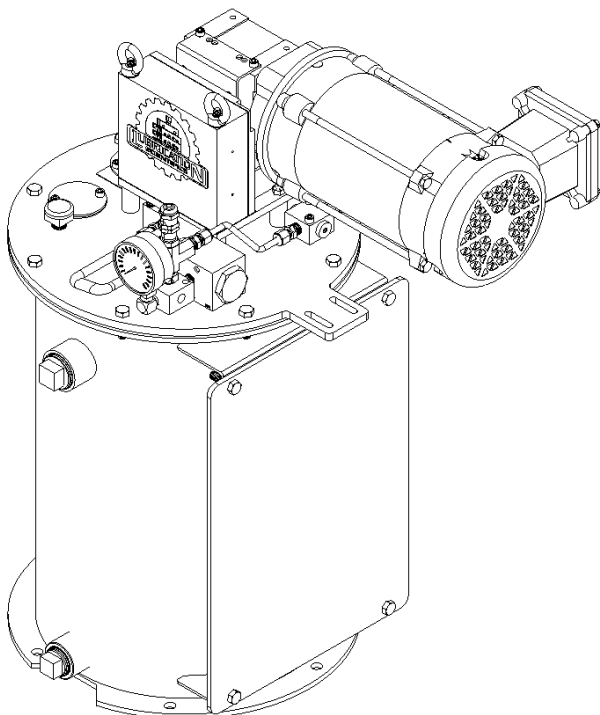
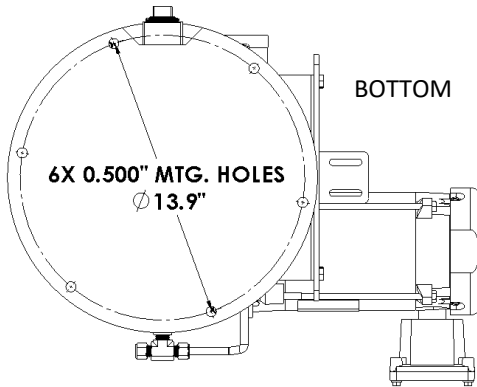
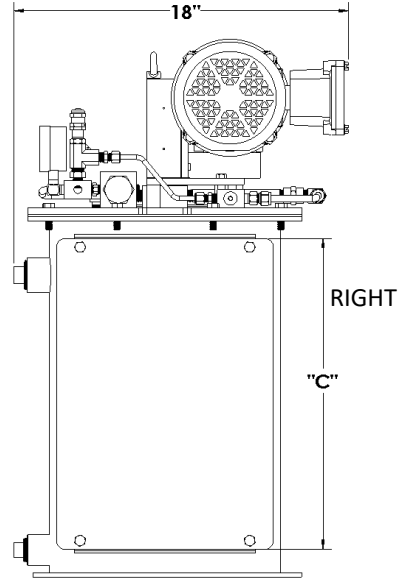
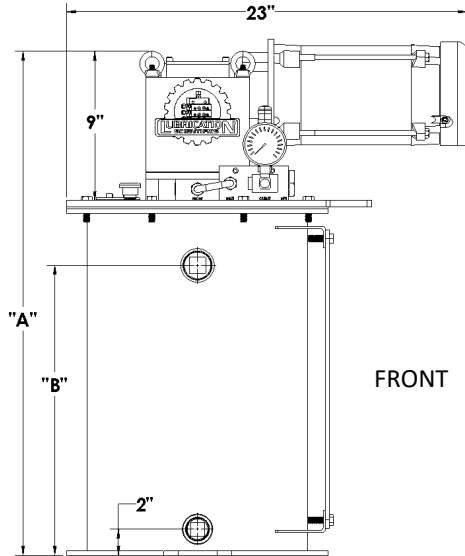


**LCPR PUMP PACKAGE OPTIONS**

<b>LOW LEVEL/HIGH LEVEL OPTIONS</b>	<b>PART NUMBER</b>
LOW LEVEL SWITCH ASSEMBLY, ALL 44LB RESERVOIRS	LCPR-LLA-44
LOW LEVEL SWITCH ASSEMBLY, ALL 60LB RESERVOIRS	LCPR-LLA-60
LOW LEVEL SWITCH ASSEMBLY, ALL 90LB RESERVOIRS	LCPR-LLA-90
HIGH LEVEL ASSEMBLY, 24VDC OR 115VAC	LCPR-HLA
<b>MOUNTING PLATE OPTIONS</b>	<b>PART NUMBER</b>
MOUNTING PLATE, ALL 44LB	LCPR-AMP44
MOUNTING PLATE, ALL 60LB	LCPR-AMP44
MOUNTING PLATE, ALL 90LB	LCPR-AMP44
<b>ACCESSORIES</b>	<b>PART NUMBER</b>
AUX CONTROLLER MOUNTING PLATE, ALL	LCPR-CMP
IMMERSION HEATER	LCPR-SUBHTR
DIPTICK 3/8" NPT, 40 MIC, 1.6 CAP DIAMETER	LCPR-DIP-60
RESERVOIR VENT	LCPR-VENT
ICS, CONTAMINATION PREV PUMP RES SYS, 60LB, 24 VDC	LCPR-60-E24DC-ICS
<b>REMOTE FILL DIRT TRAP OPTIONS</b>	<b>PART NUMBER</b>
REMOTE FILL DIRT TRAP BODY	RFDT-0001
REMOTE FILL DIRT TRAP ASSEMBLY, 3 MICRON OIL	RFDT-003-O
REMOTE FILL DIRT TRAP ASSEMBLY, 5 MICRON OIL	RFDT-005-O
REMOTE FILL DIRT TRAP ASSEMBLY, 10 MICRON OIL	RFDT-010-O
REMOTE FILL DIRT TRAP ASSEMBLY, 25 MICRON OIL	RFDT-025-O
REMOTE FILL DIRT TRAP ASSEMBLY, 40 MESH, GREASE	RFTDA-040-G
REMOTE FILL DIRT TRAP ASSEMBLY, 100 MESH, GREASE	RFTDA-100-G
REMOTE FILL SUPPLY RETURN MANIFOLD, CRS	RFDT-SRM-000
REMOTE FILL HOSE END COUPLER	RFDT-H4F4-C
REMOTE FILL FITTING W/ PROTECTIVE CAP	RFDT-H4F4-F
<b>RESEVOIR MOUNT REMOTE FILL DIRT TRAP OPTIONS</b>	<b>PART NUMBER</b>
REMOTE FILL DIRT TRAP BODY, RESERVOIR MOUNT	RFDT-0001R
REMOTE FILL DIRT TRAP ASSEMBLY, RESERVOIR MOUNT, 3 MICRON, OIL	RFDTRA-003-O
REMOTE FILL DIRT TRAP ASSEMBLY, RESERVOIR MOUNT, 5 MICRON, OIL	RFDTRA-005-O
REMOTE FILL DIRT TRAP ASSEMBLY, RESERVOIR MOUNT, 10 MICRON, OIL	RFDTRA-010-O
REMOTE FILL DIRT TRAP ASSEMBLY, RESERVOIR MOUNT, 25 MICRON, OIL	RFDTRA-025-O
REMOTE FILL DIRT TRAP ASSEMBLY, RESERVOIR MOUNT, 40 MESH, GREASE	RFDTRA-040-O
REMOTE FILL DIRT TRAP ASSEMBLY, RESERVOIR MOUNT, 100 MESH, GREASE	RFDTRA-100-O



**DIMENSIONS AND SPECIFICATIONS (230/460AC)**



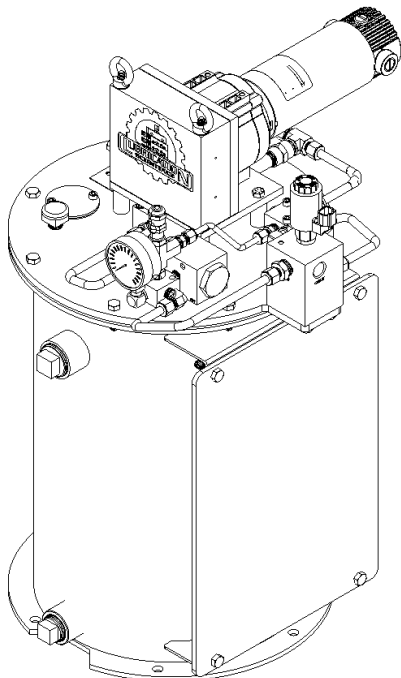
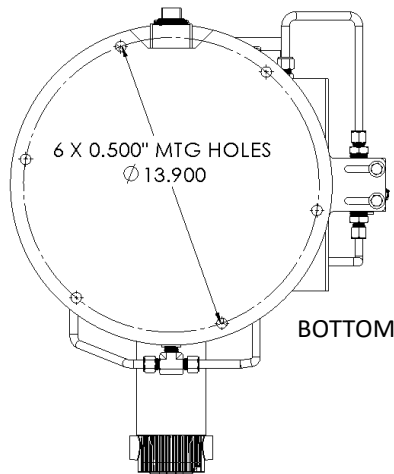
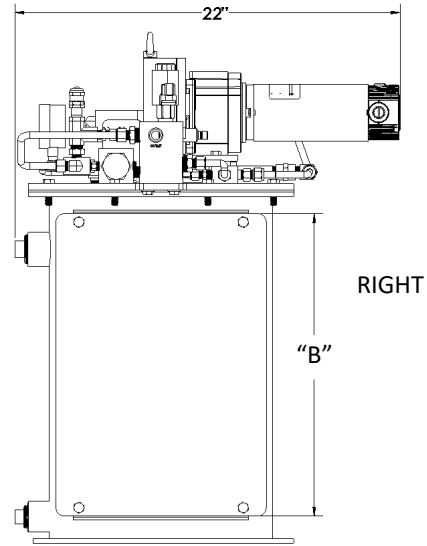
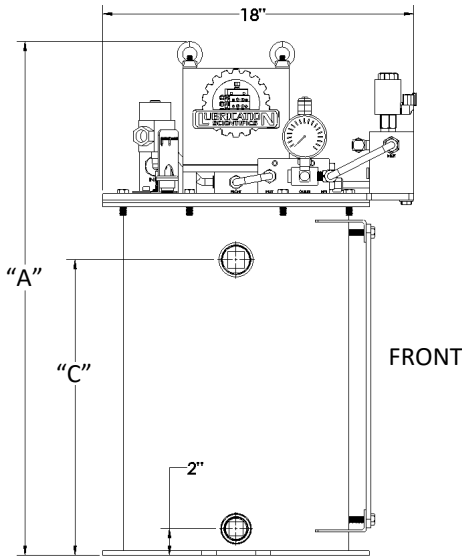
**SPECIFICATIONS**

LUBE PUMP PERFORMANCE AND SPECIFICATIONS	
MOTOR, HP	1/2 HP
OPERATING VOLTAGE	230/460
HZ	60/50
FULL LOAD AMPS	2.2/1.1
RPM	170
RATIO	10:1
OUTPUT, PER STROKE	0.066 CU-IN
OUTPUT, PER MINUTE	11 CUIN
MAX PRESSURE	5,000 PSI

**DIMENSIONS**

RESERVOIR SIZE	DIM "A"	DIM "B"	DIM. "C"
44LB	24"	12"	12.25"
60LB	29"	17"	17.25"
90LB	39"	27"	27.25"

**DIMENSIONS AND SPECIFICATIONS (24VDC)**



**SPECIFICATIONS**

LUBE PUMP PERFORMANCE AND SPECIFICATIONS	
MOTOR, HP	1/4 HP
OPERATING VOLTAGE	24VDC
AMPS	9.80
RPM	170
RATIO	10.6:1
OUTPUT, PER STROKE	0.066 CU-IN
OUTPUT, PER MINUTE	11 CUIN
MAX PRESSURE	5,000 PSI

**DIMENSIONS**

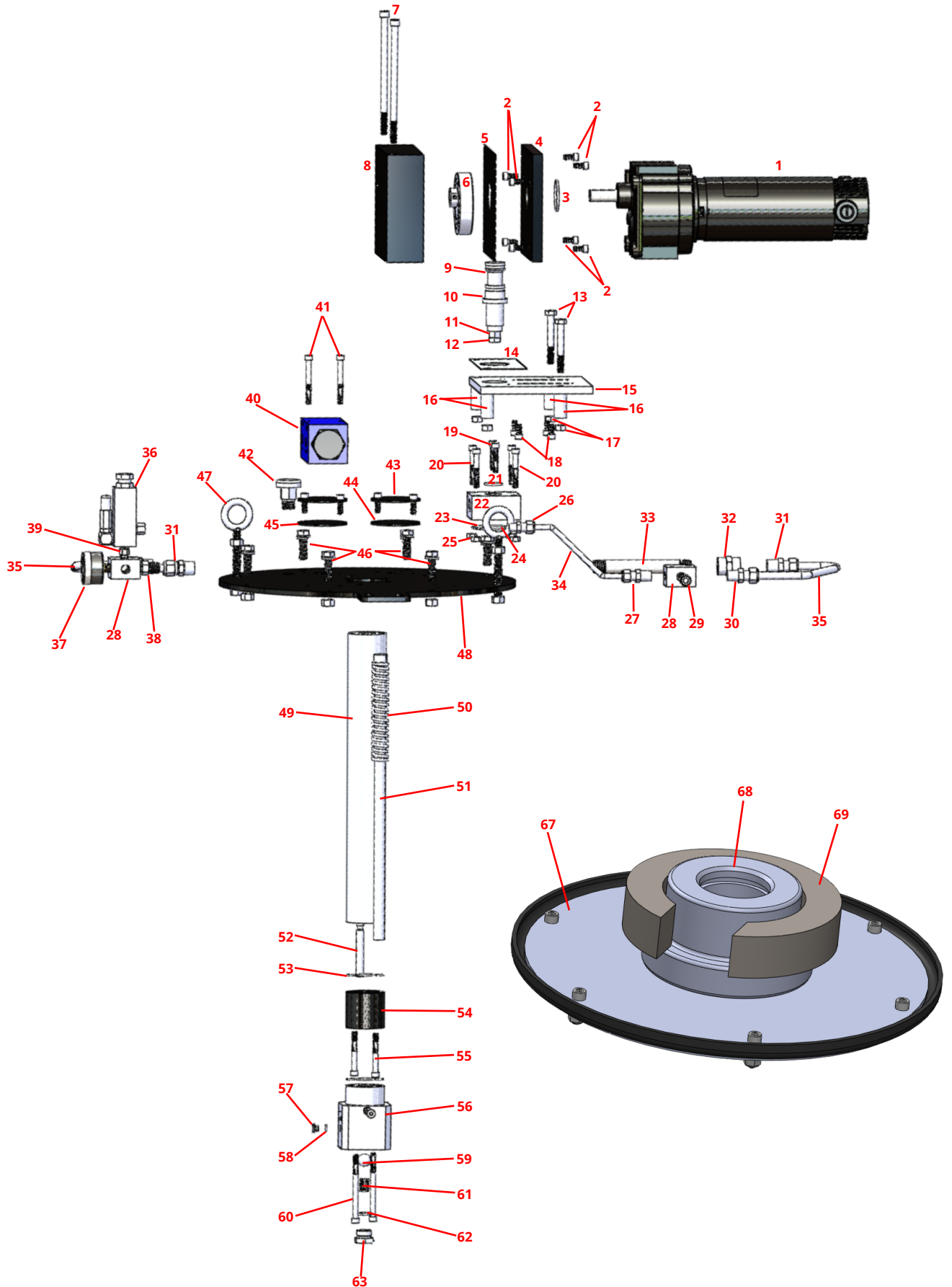
RESERVOIR SIZE	DIM "A"	DIM "B"	DIM. "C"
44LB	24"	12"	12.25"
60LB	29"	17"	17.25"
90LB	39"	27"	27.25"

**PARTS LIST (24VDC)**

ITEM NO.	DESCRIPTION	QUANTITY	ITEM NO.	DESCRIPTION	QUANTITY
1	24VDC MOTOR	1	37	PRESSURE GAUGE	1
2	1/4 - 20 X 1/2 SOCKET HEAD CAP SCREW	8	38	1/4" NPT PIPE NIPPLE	1
3	-127 VITON ORING	1	39	1/8" NPT PIPE NIPPLE	1
4	ECCENTRIC HOUSING BACK PLAT	1	40	MINI DIRT TRAP FILTER	1
5	ECCENTRIC HOUSING BACK PLATE GASKET	1	41	1/4 - 28 X 2 - 1/4 SOCKET HEAD CAP SCREW	2
6	ECCENTRIC	1	42	BREATHER	1
7	5/16 - 18 X 6 - 1/2" SOCKET HEAD CAP SCREW	2	43	LOW/HIGH LEVEL COVER	2
8	ECCENTRIC FRONT COVER	1	44	LOW/HIGH LEVEL COVER GASKET	2
9	DRIVE PISTON	1	45	3/8-16 X 1 - 1/4 HEX CAP SCREW	6
10	DRIVE PISTON SLEEVE	1	46	3/8 SPLIT LOCK WASHER	6
11	3/8 - 24 HEXT NUT	1	47	3/8 - 16 EYE BOLT	2
12	3/8 - 24 X 1" HEX HEAD SCREW	1	48	RESERVOIR LID	1
13	5/16-18 X 2 - 1/2" HEX HEAD SCREW	2	49	PICK UP TUBE	1
14	ECCENTRIC HOUSING LOWER GASKET	21	50	RETURN SPRING	1
15	MOTOR MOUNTING PLATE	11	51	PLUNGER PISTON ASSEMBLY	1
16	SPACER	14	52	PRESSURE PISTON	1
17	5/16-18 LOCK NUT	44	53	-018 VITON ORING	2
18	1/4-28 X 1 SOCKET HEAD CAP SCREWS	44	54	PICK UP TUBE ADAPTER BLOCK/ SPACER	1
19	1/4-28 X 1-1/2 SOCKET HEAD CAP SCREW	42	55	1/4 - 28 X 2" SOCKET HEAD CAP SCREW	2
20	1/4-28 X 1-3/4 SOCKET HEAD CAP SCREW	24	56	PUMPING ELEMENT BODY	1
21	-910 VITON ORING	41	57	ENCLOSURE PLUG	2
22	PUMP OUTLET/RETURN MANIFOLD	11	58	-010 VITON ORING	2
23	-034 VITON ORING	11	59	5/8" CHECK BALL	1
24	-011 VITON ORING	16	60	1/4 - 28 X 3 - 1/2 SOCKET HEAD CAP SCREW	2
25	1/4-28 LOCK NUT	64	61	CHECK SPRING	1
26	TUBE FITTING 1/4" TUBE X 1/8" NPT	1	62	-908 VITON ORING	1
27	TUBE FITTING 1/4" TUBE X 1/4" NPT	1	63	CHECK RETAINER	1
28	1/4" NPSF 4 WAY ANCHOR BLOCK	2	64	FOLLOWER PLATE	1
29	1/4" NPT PIPE PLUG	5	65	FOLLOWER COLLAR	1
30	TUBE FITTING 3/8" TUBE X 1/4" NPT	2	69	WEIGHT	1
31	TUBE FITTING 3/8" TUBE X 3/8" NPT	2			
32	PIPE FITTING 3/8" X 3/8" NPTF FEMALE	1			
33	STEEL PIPE 3/8" NPT X 4 - 1/2" LONG	1			
34	1/4 TUBE	N/A			
35	3/8 TUBE	N/A			
36	PRESSURE RELIEF (LPRVM W/MEMORY)	1			



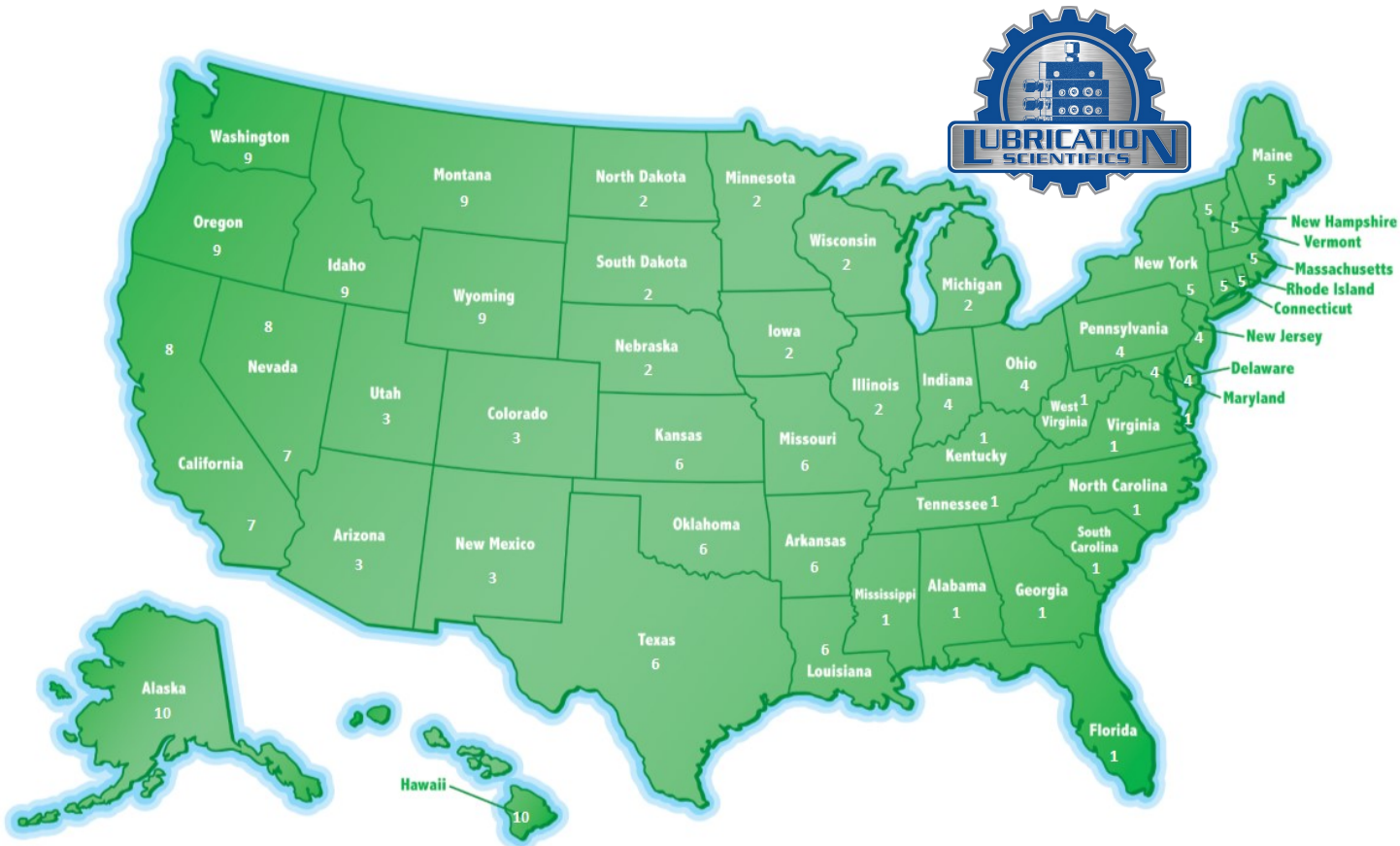
### PARTS LIST (24VDC)





## CONTACT US

IN THE USA, FIND YOUR STATE IN THE MAP BELOW, LOOK FOR THE REGION ID NUMBER AND FIND THAT NUMBER IN THE CONTACT INFORMATION CHART.



### CONTACT INFORMATION CHART

1	Call Factory Direct - 877-452-0157		
2	David Donahue Cell: 414-507-9513 Email: d.donahue@lubricationscientifics.com	Outside of the United States	Call Factory Direct - 877-452-0157
3	Bernie Sauve + El Paso Texas Cell: 210-702-9930 Email: bernie@lubricationscientifics.com	7	Richard Hanley - <b>California</b> - Santa Barbara, Ventura, Los Angeles, Orange, San Bernardino, Riverside, San Diego and Imperial Counties. <b>Nevada</b> - Clark County. Cell: 714-625-5539 Email: rth@lubricationscientifics.com
4	Andy Kromer Cell: 440-364-4721 Email: akclub@lubricationscientifics.com	8	<b>California</b> - All Counties not covered by Richard. <b>Nevada</b> - All Counties except Clark County. Call Factory Direct - 877-452-0157
5	Call Factory Direct - 877-452-0157	9	Call Factory Direct - 877-452-0157
6	Cory Walker Cell: 832-585-7065 Email: c.walker@lubricationscientifics.com	10	Call Factory Direct - 877-452-0157

**Customer Service (877-452-0157)**

- ◆ Order status & order entry
- ◆ Pricing inquiries
- ◆ Part number look-ups
- ◆ Product availability information
- ◆ Shipment assistance
- ◆ All other general inquires

**www.lubricationscientifics.com**

- ◆ Product information, specifications, literature
- ◆ Locate sales reps and distributors
- ◆ Operator & Repair manuals
- ◆ Distributer Information
- ◆ Place orders and check current pricing
- ◆ Product Pricing



LUBRICATION SCIENTIFICS, LLC

17651 ARMSTRONG AVE.

IRVINE, CA 92614

UNITED STATES OF AMERICA

TOLL FREE TEL: (877) 452-0157, LOCAL TEL: (714) 557-0664, FAX: (714) 546-4564

**WWW.LUBRICATIONSCIENTIFICS.COM**