



LVB LUBRICATION PUMPS



The LVB pump is used in divider valve lubrication systems for gas compressor applications.

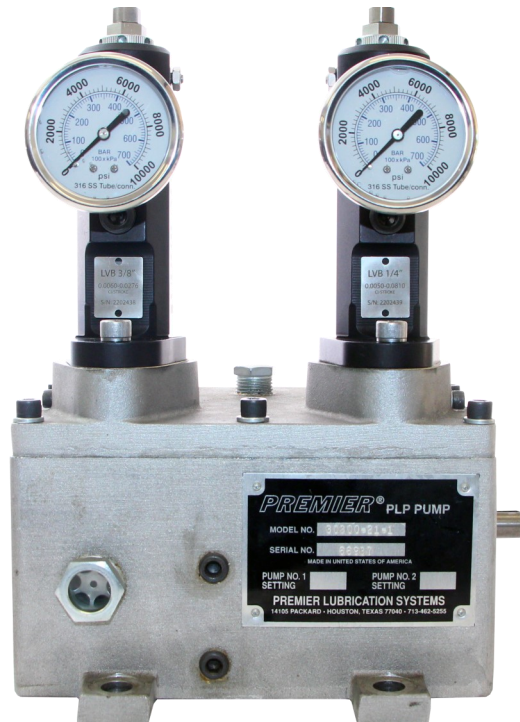
Advantages:

- Heavy duty design
- High pressure capability
- Single pump can lubricate entire machine
- 3 piston sizes available
- Easily adjustable





COMPATIBLE WITH EXISTING TRABON BOXES



COMPATIBLE WITH EXISTING PREMIER BOXES

TRABON, LUBRIQUIP & GRACO ARE REGISTERED TRADEMARKS OF GRACO, INC.
PREMIER © 2022 COMPRESSOR PRODUCTS INTERNATIONAL.

NO COPYRIGHT INFRINGEMENT IS INTENDED

WWW.LUBRICATIONSCIENTIFICS.COM

ACCESSORIES

LVB SYSTEM FILL KIT



**LVB SYSTEM FILL KIT W/ 10000 PSI GAUGE
PART NO: LVB-SFK-10K**

1/4" NPT RUN TEE STEEL

TCV, 303, I-1/4 NPSF(F), 0-1/4 NPTF(M),
CP 35PSI

2-1/2" 1/4" BACK MOUNT WET SS/SS 10000 PSI

**LVB SYSTEM FILL KIT W/ 3000 PSI GAUGE
PART NO: LVB-SFK-3K**

1/4" NPT RUN TEE STEEL

TCV, 303, I-1/4 NPSF(F), 0-1/4 NPTF(M),
CP 35PSI

2-1/2" 1/4" BACK MOUNT WET SS/SS 3000 PSI

*ALL KITS ARE PACKED AND SOLD SEPARATELY FROM LVB PUMP.

*ALL KITS INCLUDE THREAD SEALLUBRICANT

LVB SAFTEY BLOW OUT KIT

**LVB SAFTEY BLOW OUT KIT W/ 10000 PSI GAUGE
PART NO: LVB-BOK-10K**

1/4" NPT RUN TEE STEEL

RUPTURE INDICATOR ASSEMBLY, 1/4 NPTF BODY, 303SS
(2350 PSI)

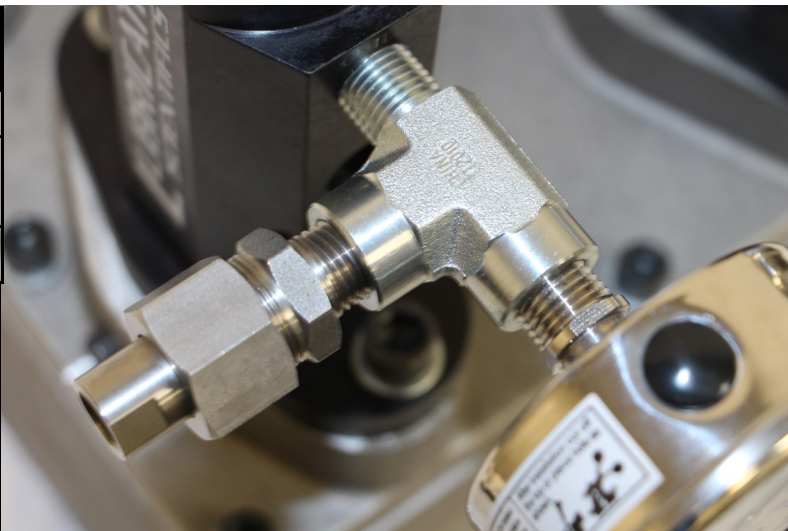
2-1/2" 1/4" BACK MOUNT WET SS/SS 10000 PSI

**LVB SAFETY BLOW OUT KIT W/ 3000 PSI GAUGE
PART NO: LVB-BOK-3K**

1/4" NPT RUN TEE STEEL

RUPTURE INDICATOR ASSEMBLY, 1/4 NPTF BODY, 303SS
(2350 PSI)

2-1/2" 1/4" BACK MOUNT WET SS/SS 3000 PSI



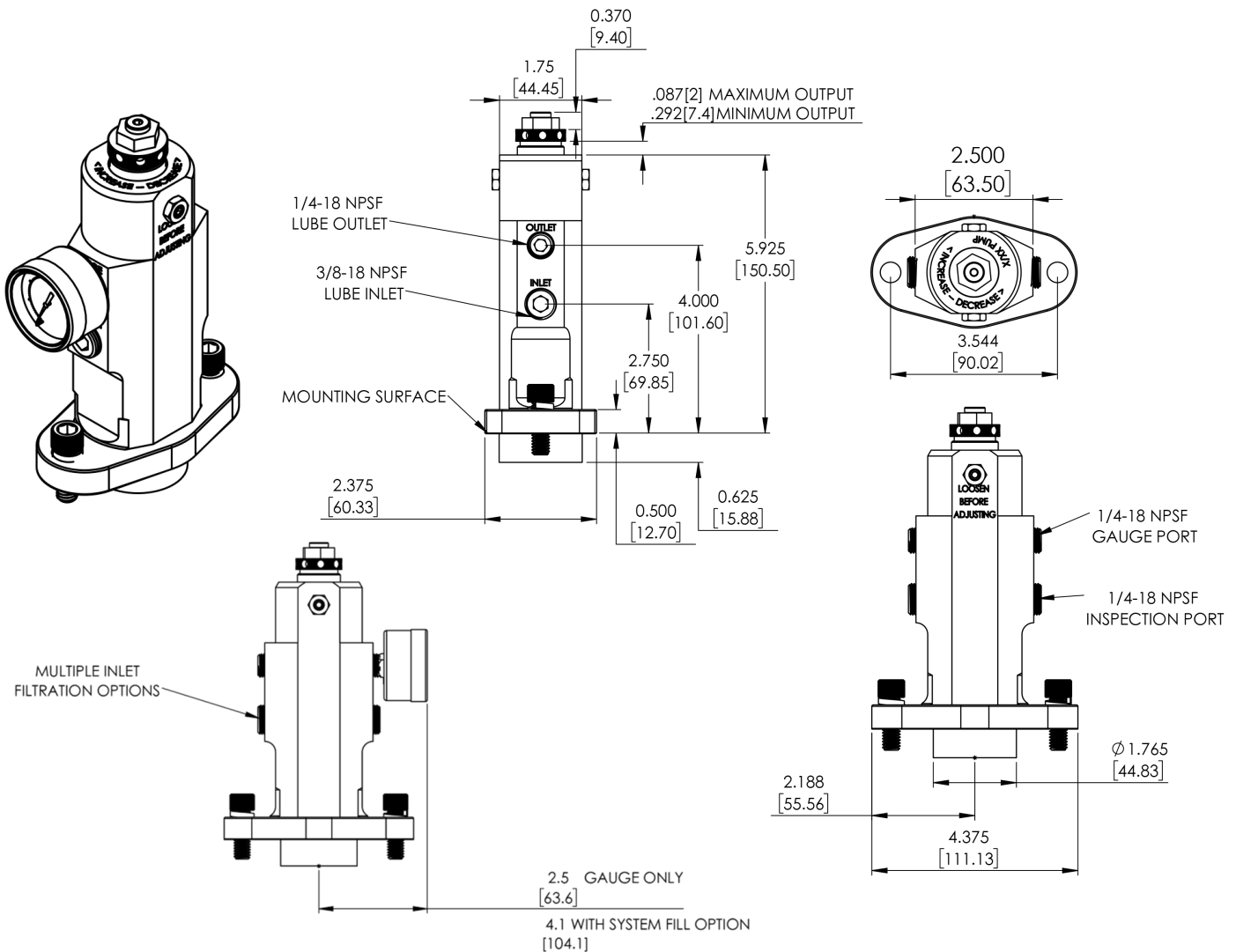
*ALL KITS ARE PACKED AND SOLD SEPARATELY FROM LVB PUMP.

*ALL KITS INCLUDE THREAD SEALLUBRICANT

LVB PUMP SPECIFICATIONS

PART NUMBER	PLUNGER OPTION		MIN. OUTPUT PER STROKE	MAX. OUTPUT PER STROKE	OUTPUT CHANGE PER 1/4 ROTATION OF CYL.	MAXIMUM CONTINUOUS OPERATING PRESSURE	MAXIMUM INTERMITTENT PRESSURE
LVB-019	3/16"	19	.0015 CU. IN. .0245 CC	.0069 CU. IN. .113 CC	.0005 CU. IN. .008 CC	10,000 PSI 690 BAR	12,000 PSI 827 BAR
LVB-025	1/4"	25	.0050 CU. IN. .081 CC	.0122 CU. IN. .199 CC	.0009 CU. IN. .014 CC	6,000 PSI 414 BAR	8,000 PSI 552 BAR
LVB-038	3/8"	38	.006 CU. IN. .098CC	.0276 CU. IN. .452CC	.0019 CU. IN. .031 CC	3,500 PSI 241 BAR	6,000 PSI 414 BAR

LVB PUMP DIMENSIONS



NOTES

CONTACT US

IN THE USA, FIND YOUR STATE IN THE MAP BELOW, LOOK FOR THE REGION ID NUMBER AND FIND THAT NUMBER IN THE CONTACT INFORMATION CHART.



1	Call Factory Direct - 877-452-0157	7	Richard Hanley - California - Santa Barbara, Ventura, Los Angeles, Orange, San Bernardino, Riverside, San Diego and Imperial Counties. Nevada - Clark County. Cell: 714-625-5539 Email: rth@lubricationscientifics.com
2	Call Factory Direct - 877-452-0157	8	California - All Counties not covered by Richard. Nevada - All Counties except Clark County. Call Factory Direct - 877-452-0157
3	Call Factory Direct - 877-452-0157	9	Call Factory Direct - 877-452-0157
4	Andy Kromer Cell: 440-364-4721 Email: aklub@lubricationscientifics.com	10	Call Factory Direct - 877-452-0157
5	Call Factory Direct - 877-452-0157		
6	Cory Walker Cell: 832-585-7065 Email: c.walker@lubricationscientifics.com		

Outside of the United States	Call Factory Direct - 877-452-0157
------------------------------	------------------------------------