



## ANCHOR BLOCKS



### PRODUCT DESCRIPTION

ANCHOR BLOCKS ARE LUBRICATION CONNECTING DEVICES THAT CAN BE BOLTED OR WELDED TO ANY MACHINE

MULTIPLE BLOCK STYLES AVAILABLE

MOUNTING HOLES FOR SECURING TO MACHINERY

DESIGNED TO KEEP LUBRICATION LINES SECURE AND IN PLACE

IDEAL FOR MOUNTING GAUGES, BLOWOUT FITTINGS, SAFETY DEVICES, PRESSURE SWITCHES, FLEXIBLE HOSE DROPS, AND OTHER SYSTEM COMPONENTS REQUIRING A SOLID BASE

AVAILABLE IN CARBON STEEL, 303, AND 316 STAINLESS STEEL

### BENEFITS & FEATURES

REDUCES TOTAL COST OF A LUBRICATION SYSTEM INSTALLATION BY REQUIRING LESS LABOR COSTS FOR RUNNING LUBE LINES

90 DEGREE, 4 WAY CROSS, 5 WAY CROSS, AND TEE PORTS IN 1/4" AND 1/8" NPTF AVAILABLE

ANCHOR BLOCK INSTALLATION GIVES ANY MACHINE A CLEAN, PROFESSIONAL LOOK

MOUNTING HARDWARE REQUIRING A SOLID BASE

## READY FOR IMMEDIATE SHIPMENT

MADE IN



[WWW.LUBRICATIONSCIENTIFICS.COM](http://WWW.LUBRICATIONSCIENTIFICS.COM)

**ORDERING INFORMATION & PART NUMBERS**

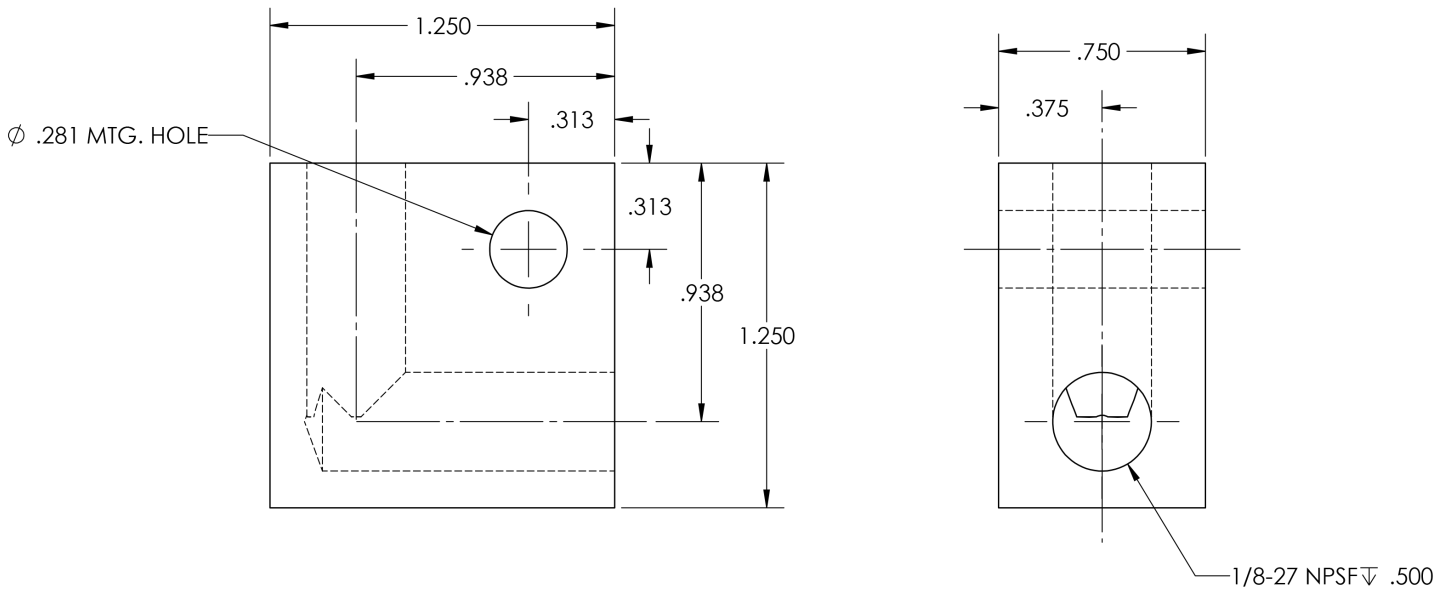
<b>STANDARD PACK: 5 EACH</b>			
<b>PRODUCT DESCRIPTION</b>	<b>CARBON STEEL</b>	<b>303 STAINLESS STEEL</b>	<b>316 STAINLESS STEEL</b>
<b>4 WAY CROSS</b> 1/8 NPSF (X4) 9/32 MTG HOLE	L509189-000	L509189-303	L509189-316
<b>4 WAY CROSS</b> 1/4 NPSF (X4) 9/32 MTG HOLE	L509188-000	L509188-303	L509188-316
<b>5 WAY CROSS</b> 1/4 NPSF (X4) 1/8 NPSF (X1) 9/32 MTG HOLE	L509190-000	L509190-303	L509190-316
<b>2 WAY STRAIGHT</b> 1/8 NPSF (X2) 9/32 MTG HOLE	L509180-000	L509180-303	L509180-316
<b>2 WAY STRAIGHT</b> 1/4 NPSF (X2) 9/32 MTG HOLE	L509185-000	L509185-303	L509185-316
<b>90 DEGREE ELBOW</b> 1/8 NPSF (X2) 9/32 MTG HOLE	L509170-000	L509170-303	L509170-316
<b>90 DEGREE ELBOW</b> 1/4 NPSF (X2) 9/32 MTG HOLE	L509175-000	L509175-303	L509175-316



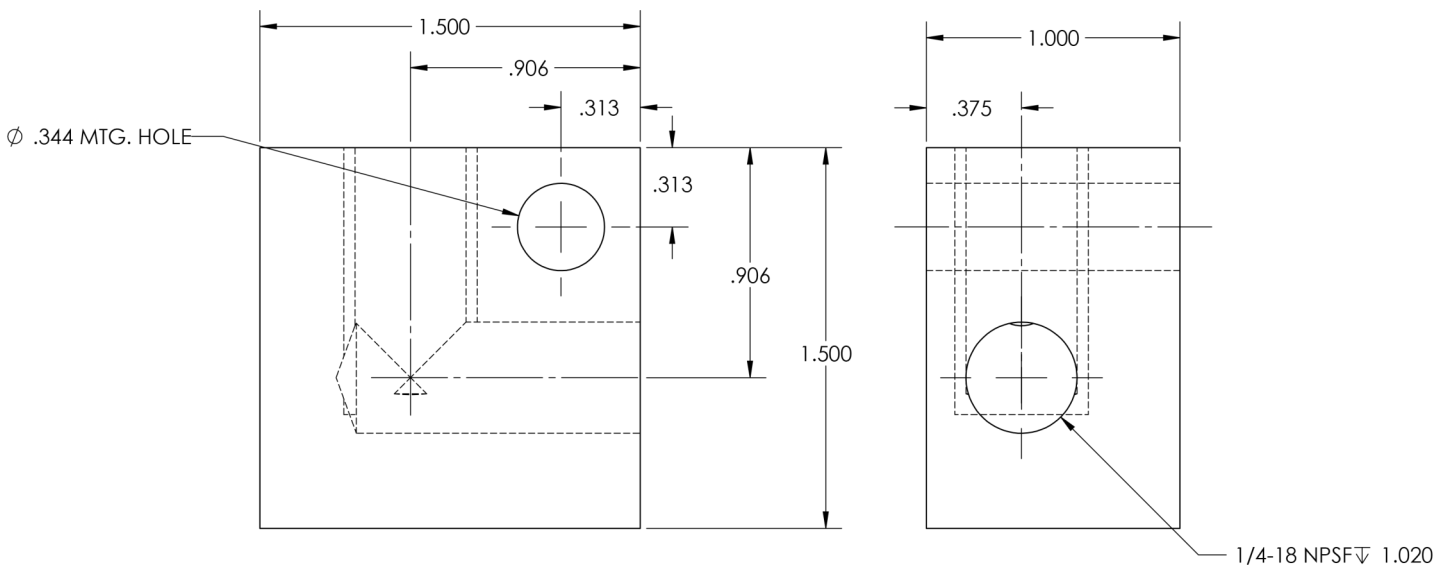
## DIMENSIONS & MOUNTING INFORMATION

DIMENSIONS ARE IN INCHES

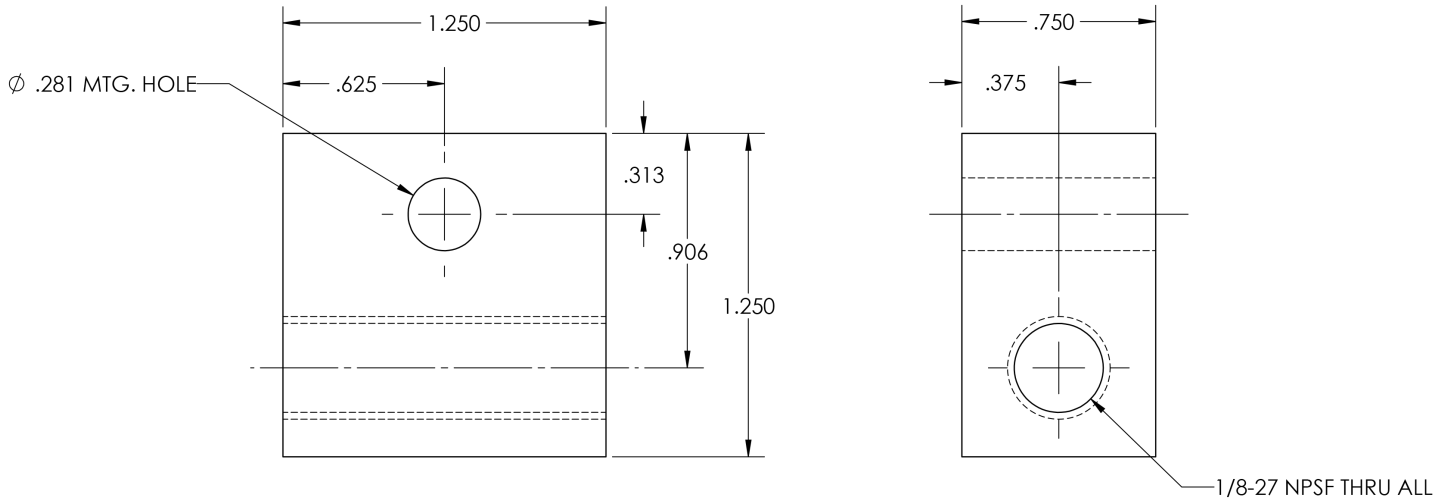
### 1/8" 90° ELBOW DIMENSIONS



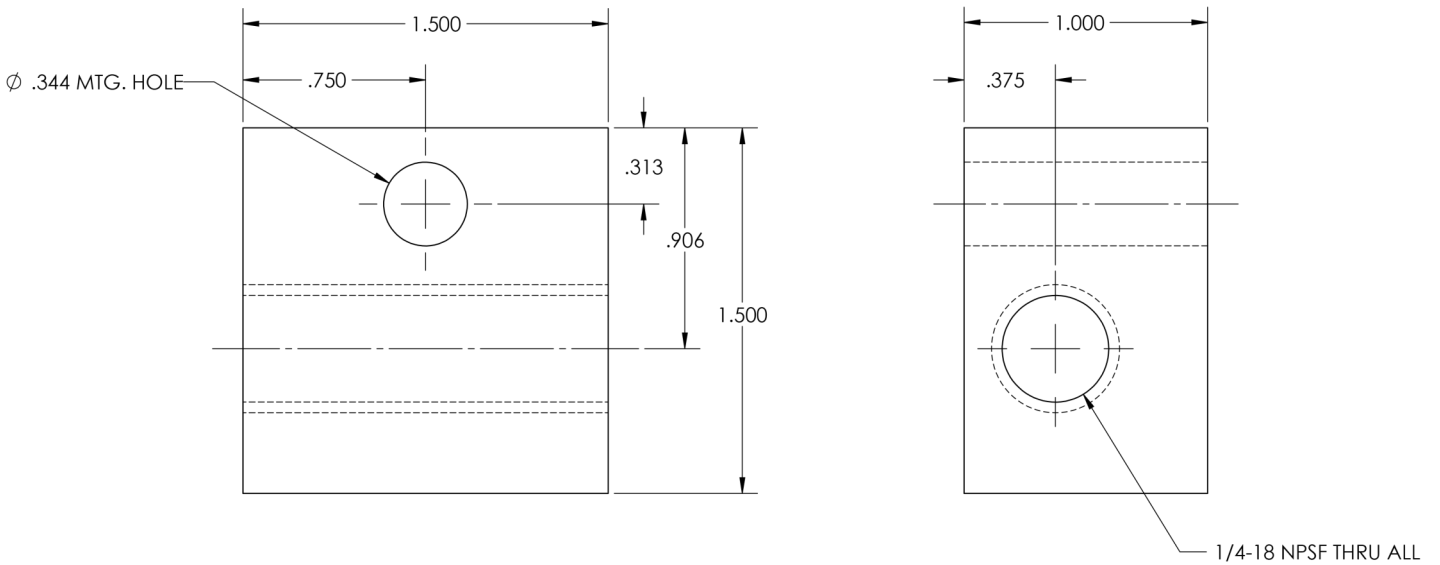
### 1/4" 90° ELBOW DIMENSIONS



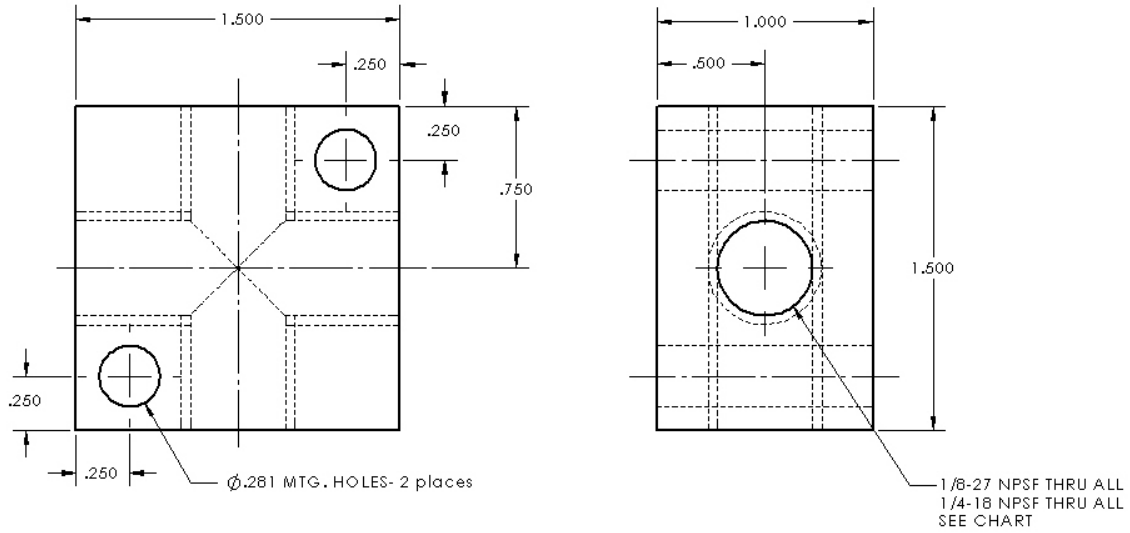
### 1/8" 2 WAY STRAIGHT DIMENSIONS



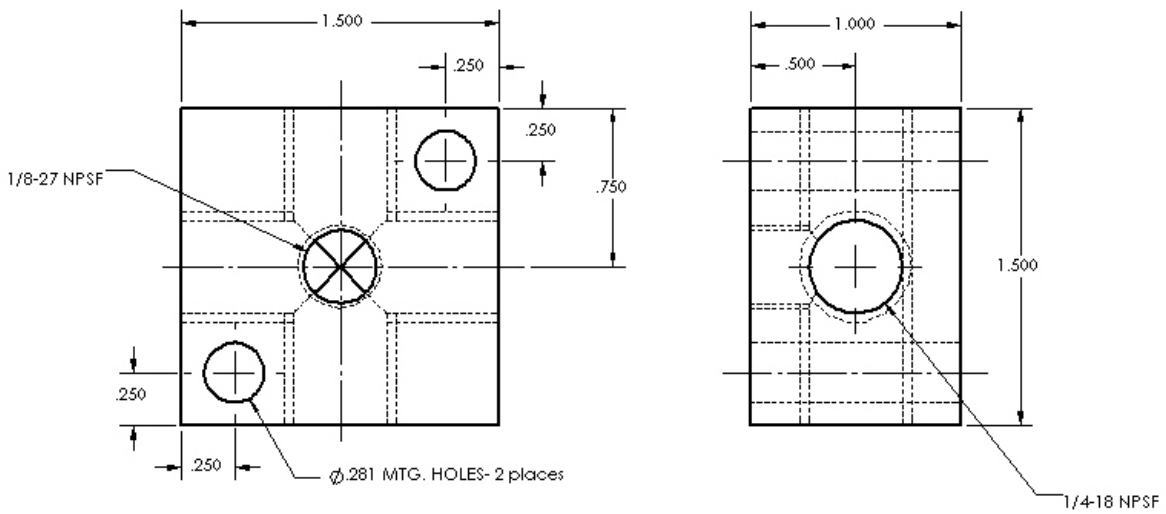
### 1/4" 2 WAY STRAIGHT DIMENSIONS



### 4 WAY STRAIGHT DIMENSIONS



### 5 WAY STRAIGHT DIMENSIONS

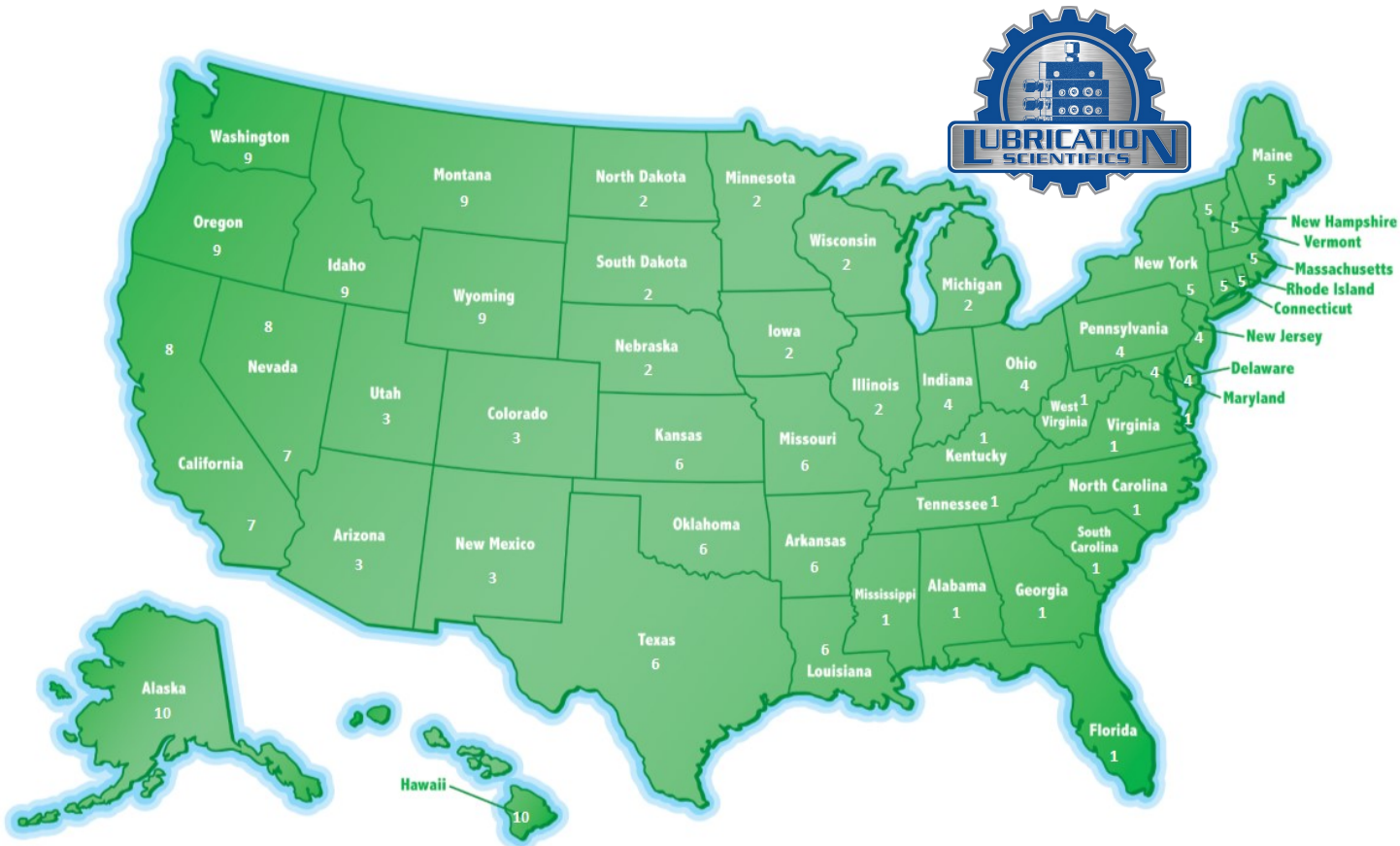


**NOTES**




CONTACT US

IN THE USA, FIND YOUR STATE IN THE MAP BELOW, LOOK FOR THE REGION ID NUMBER AND FIND THAT NUMBER IN THE CONTACT INFORMATION CHART.



CONTACT INFORMATION CHART

1	Call Factory Direct - 877-452-0157		
2	David Donahue Cell: 414-507-9513 Email: d.donahue@lubricationscientifics.com	Outside of the United States	Call Factory Direct - 877-452-0157
3	Bernie Sauve + El Paso Texas Cell: 210-702-9930 Email: bernie@lubricationscientifics.com	7	Richard Hanley - <b>California</b> - Santa Barbara, Ventura, Los Angeles, Orange, San Bernardino, Riverside, San Diego and Imperial Counties. <b>Nevada</b> - Clark County. Cell: 714-625-5539 Email: rth@lubricationscientifics.com
4	Andy Kromer Cell: 440-364-4721 Email: akclub@lubricationscientifics.com	8	<b>California</b> - All Counties not covered by Richard. <b>Nevada</b> - All Counties except Clark County. Call Factory Direct - 877-452-0157
5	Call Factory Direct - 877-452-0157	9	Call Factory Direct - 877-452-0157
6	Cory Walker Cell: 832-585-7065 Email: c.walker@lubricationscientifics.com	10	Call Factory Direct - 877-452-0157

**Customer Service (877-452-0157)**

- ◆ Order status & order entry
- ◆ Pricing inquiries
- ◆ Part number look-ups
- ◆ Product availability information
- ◆ Shipment assistance
- ◆ All other general inquires

**www.lubricationscientifics.com**

- ◆ Product information, specifications, literature
- ◆ Locate sales reps and distributors
- ◆ Operator & Repair manuals
- ◆ Distributer Information
- ◆ Place orders and check current pricing
- ◆ Product Pricing



LUBRICATION SCIENTIFICS, LLC

17651 ARMSTRONG AVE.

IRVINE, CA 92614

UNITED STATES OF AMERICA

TOLL FREE TEL: (877) 452-0157, LOCAL TEL: (714) 557-0664, FAX: (714) 546-4564

**WWW.LUBRICATIONSCIENTIFICS.COM**