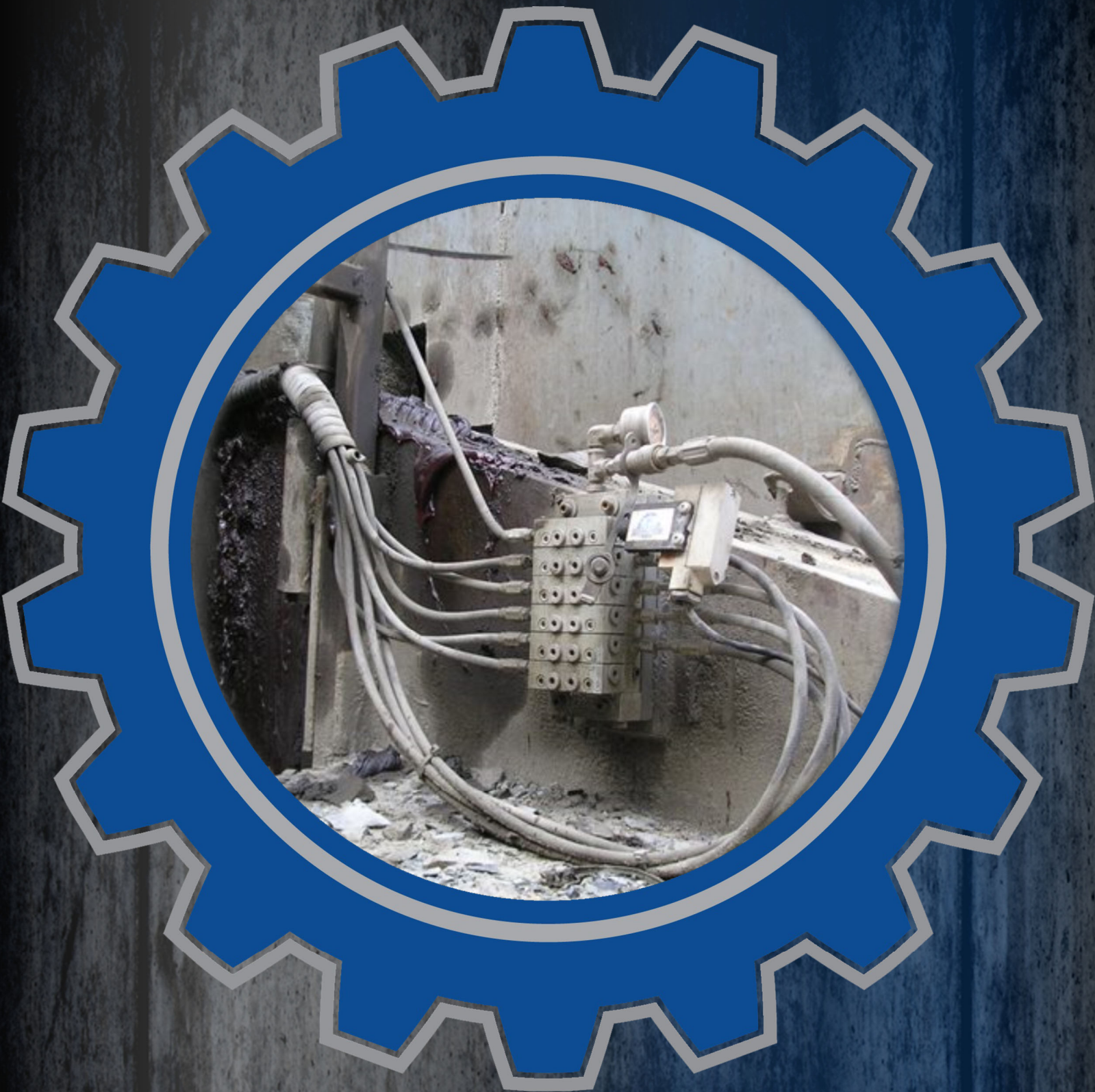


# LUBRICATION SCIENTIFICS, LLC

THE RIGHT PRODUCTS. THE RIGHT VALUES. THE RIGHT CHOICE.



## CRITICAL MONITORING DEVICES

PROXIMITY SWITCHES—LIMIT SWITCHES—VISUAL CYCLE INDICATORS



## VISUAL CYCLE INDICATORS, LIMIT SWITCHES, & PROXIMITY SWITCHES

### PRODUCT DESCRIPTION

DESIGNED FOR HIGH PRESSURE HYDRAULIC AND LUBRICATION APPLICATIONS

ALLOWS THE VISUAL OR DIGITAL MONITORING OF VALVE CYCLE

VISUAL INDICATORS ARE 316 STAINLESS STEEL

PRESSURE RANGES UP TO 7,500 PSI

LIMIT SWITCHES OFFER CONTROL OVER YOUR LUBE SYSTEM BY DETECTING AND MANAGING LUBE SYSTEM FAILURES

### BENEFITS & FEATURES

MECHANICAL AND ELECTRICAL VISUAL INDICATORS FOR ANY BUDGET

PROXIMITY SWITCHES ARE MADE OF 316 STAINLESS STEEL CONSTRUCTION

RATED FOR HAZARDOUS CONDITIONS

WORKS WITH BOTH OIL OR GREASE APPLICATIONS

## READY FOR IMMEDIATE SHIPMENT

MADE IN



[WWW.LUBRICATIONSCIENTIFICS.COM](http://WWW.LUBRICATIONSCIENTIFICS.COM)

## FUNCTION ILLUSTRATION

### Valve Cycle Indicator Function

**Cycle Indicators provide a visual means to verify proper function of a piston cycle.**

**Figure 1.1:** During a lube event, the piston acts upon the actuator pin pushing the indicator forward, showing that the valve is functioning properly.

**Figure 1.2:** When the piston cycles back to its original position, the spring in the visual indicator returns the indicator bead to its previous position and awaits the next cycle.

Figure 1.1

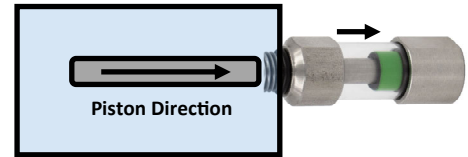
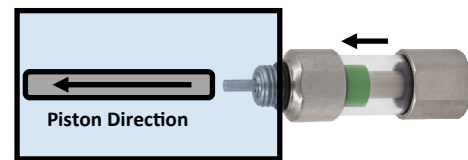


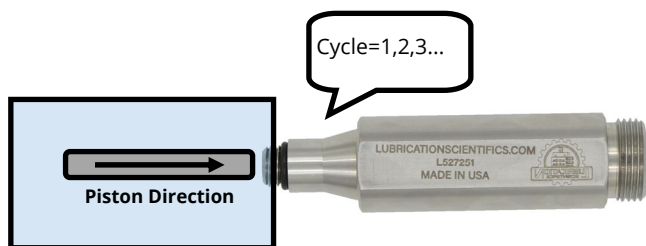
Figure 1.2



During a lube event, you will have a visual indication if the valves are not cycling.

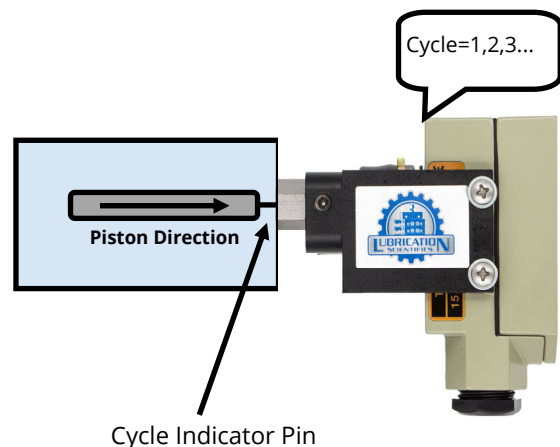
### Proximity Switches

**Proximity Switch** is a sensor able to detect the presence of nearby objects, in this case a piston, without any physical contact. It is used to digitally count cycles or detect potential problems in a system. The illustration below shows generally how a Proximity Switch work.



### Limit Switches

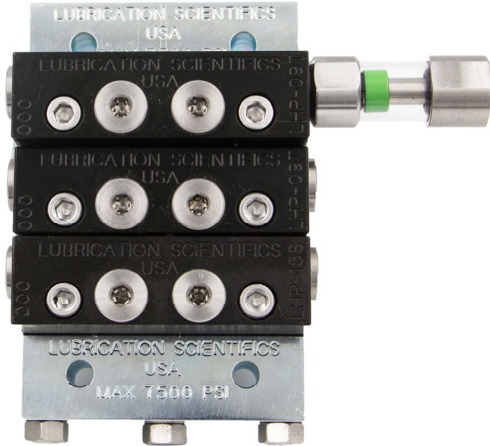
**A limit switch** is an electromechanical device that consists of an actuator mechanically linked to a set of contacts. When a cycle indicator pin comes into contact with the actuator, the device operates the contacts to make or break an electrical connection.





**ORDERING INFORMATION & PART NUMBERS**

**CYCLE VERIFICATION DEVICES**



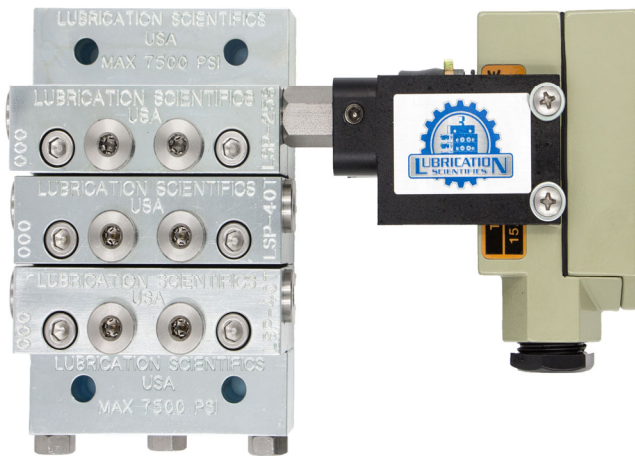
STANDARD PACK: 1 EACH	
ITEM DESCRIPTION	PART NUMBER
STAINLESS STEEL VISUAL CYCLE INDICATOR Fits Trabon Style Divider Valves	VCI-437
316 STAINLESS STEEL VISUAL CYCLE INDICATOR	VCI-437-316
STAINLESS STEEL VISUAL CYCLE INDICATOR W/ LMX/LMXP ADAPTER	VCI-437-1312
LINCOLN STYLE VISUAL CYCLE INDICATOR Fits Lincoln MC2 Style Divider Valves	VCI-437-L

**VISUAL CYCLE INDICATORS:** Fits any valve, right or left side; Twin or Single valve types.

**LINCOLN STYLE VISUAL CYCLE INDICATOR**



STANDARD PACK: 1 EACH	
ITEM DESCRIPTION	PART NUMBER
LIMIT SWITCH ASSEMBLY, SPDT	LSW-001
LIMIT SWITCH ASSEMBLY, DPDT	LSW-002



**ELECTRICAL RATING**

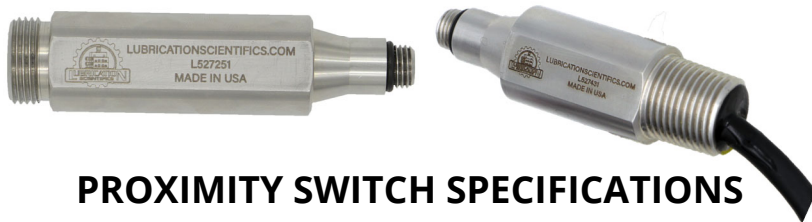
- 15 Amps @ 120V/240V/480V AC
- 6 Amps @ 24V DC
- .5 Amps @ 125V DC
- .25 Amps @ 250V DC

LINCOLN IS A REGISTERED TRADEMARK OF LINCOLN INDUSTRIAL  
TRABON IS A REGISTERED TRADEMARK OF GRACO INC.

**ORDERING INFORMATION & PART NUMBERS**

**PROXIMITY SWITCHES**

STANDARD PACK: 1 EACH				
ITEM DESCRIPTION	FITS VALVE	PART NUMBER	MAX PSI	HAZARD RATING
PROXIMITY SWITCH, 3 PIN MINI-QUICK DISCONNECT	LSP/LHP	L527251	7,500 PSI	NO RATING
	LMX/LMXP	L527251-1312		
	LGO	L527251-1410		
PROXIMITY SWITCH, 4 PIN MINI-QUICK DISCONNECT	LSP/LHP	L527112	7,500 PSI	NO RATING
	LMX/LMXP	L527112-1312		
	LGO	L527112-1410		
PROXIMITY SWITCH, 5 PIN MINI-QUICK DISCONNECT	LSP/LHP	L527111	7,500 PSI	NO RATING
	LMX/LMXP	L527111-1312		
	LGO	L527111-1410		
PROXIMITY SWITCH, EXPLOSION PROOF, 1/2" NPT WITH LEADS	LSP/LHP	L527431	7,500 PSI	CLASS I, GROUPS A,B,C,D CLASS II, GROUPS E,F,G CLASS III
	LMX/LMXP	L527431-1312		
	LGO	L527431-1410		
PROXIMITY SWITCH LINCOLN EXPLOSION PROOF, 1/2" NPT WITH LEADS	LINCOLN	L527431-MC2	7,500 PSI	CLASS I, GROUPS A,B,C,D CLASS II, GROUPS E,F,G CLASS III



**PROXIMITY SWITCH SPECIFICATIONS**

**Specification Description**

All Proximity Switches are field sensitive, dry contact, with ceramic magnets. They have a max cycle rate of 200 cycles per minute. A max pressure rating of 7,500 psi.

**Electrical rating are as follows for all models:**

4 Amps @ 120V AC, 2 Amps @ 240V DC, 3 Amps @ 24V DC, .5 Amps @ 125V DC

**CYCLE LIFE:**

150,000,000 Cycles

STANDARD PACK: 1 CABLE	
ITEM DESCRIPTION	12' CABLE PART NUMBER
12' 3 PIN CABLE	L527251-CBL12
12' 4 PIN CABLE	L527112-CBL12
12' 5 PIN CABLE	L527111-CBL12

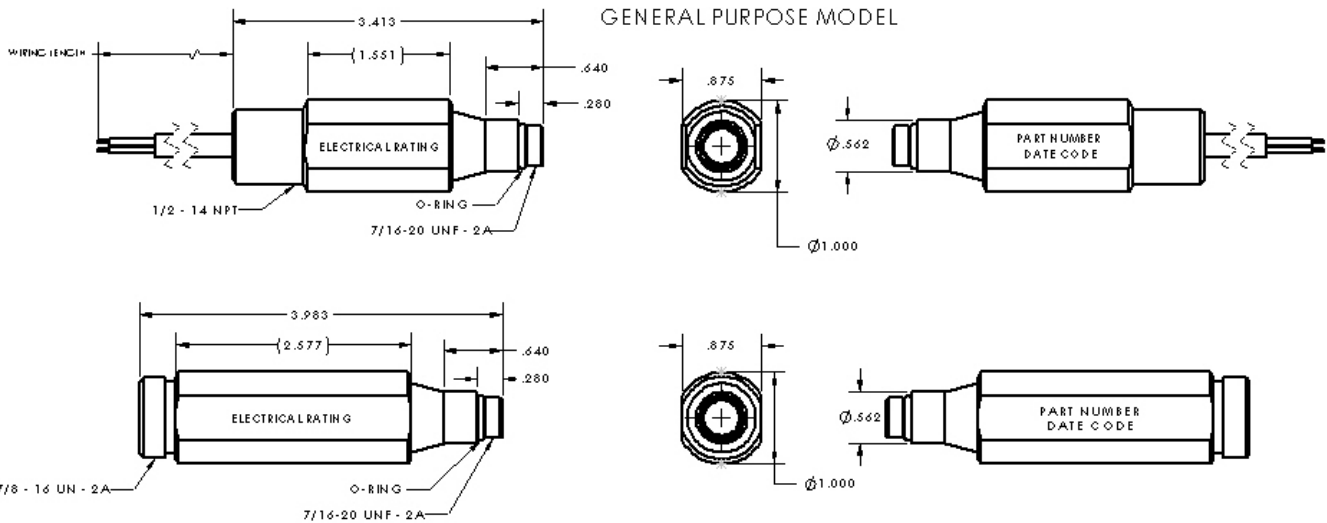


LINCOLN IS A REGISTERED TRADEMARK OF LINCOLN INDUSTRIAL  
 TRABON IS A REGISTERED TRADEMARK OF GRACO INC.  
 DROPSA IS A REGISTERED TRADEMARK OF DROPSA

PROXIMITY SWITCH DATA SHEET

GENERAL SPECIFICATIONS	
SENSING DISTANCE	0.025 in
DIFFERENTIAL	0.010 in
TEMPERATURE RANGE	-4 Degrees F - 176 Degrees F
	-20 degrees C - 80 Degrees C
CONTACT ARRANGEMENT	SPST FORM A (N/O)
ELECTRICAL RATING	4 Amp / 120 VAC
	2 Amp / 240 VAC
	3 Amp / 24 VDC
	.5 Amp / 125 VDC
MAX OPERATING FREQUENCY	3Hz
MAX PRESSURE	7500 PSI
ENCLOSURE MATERIAL	316L STAINLESS STEEL
O-RING MATERIAL	VITON
MOUNTING TORQUE	6-8 FT-LB

MAX VIBRATION RATING:  
7g, 10-55hz

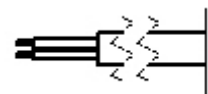


L527251, 3 PIN	
PIN	PIN OUT (WIRE COLOR)
1	GROUND (GREEN)
2	COM (BLACK)
3	N/O (WHITE)

L527112, 4 PIN	
PIN	PIN OUT (WIRE COLOR)
1	N/O (BLACK)
2	COM (WHITE)
3	NOT USED (RED)
4	GND (GREEN)

L527111, 5 PIN	
PIN	PIN OUT (WIRE COLOR)
1	N/O (WHITE)
2	NOT USED (RED)
3	GND (GREEN)
4	NOT USED (ORANGE)
5	COM (BLACK)

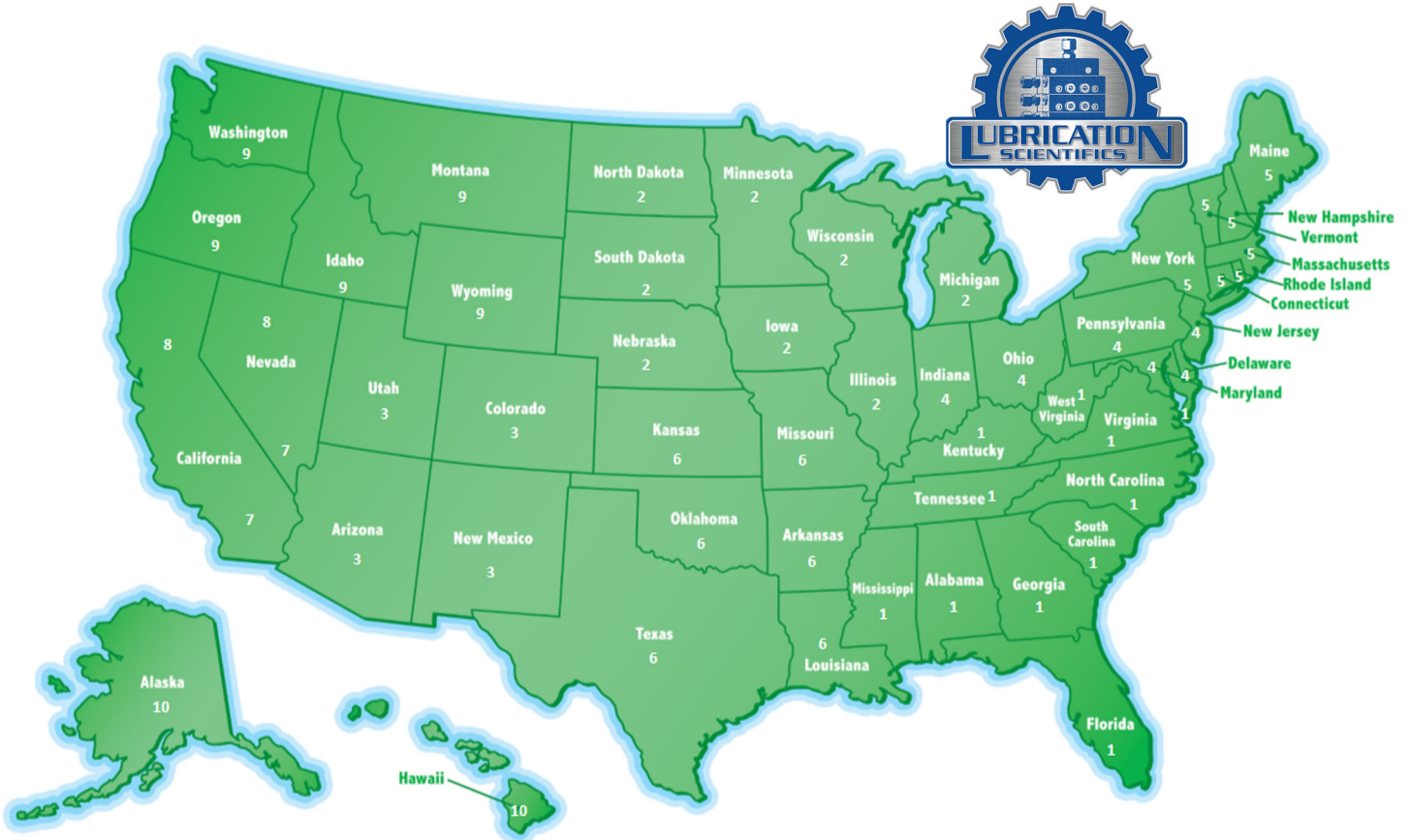
L527431	
WIRING - B, PVC CABLE	
WIRE COLOR	WIRE ASSIGNMENT
RED	GND
WHITE	N/O
BLACK	COM
APPROVED FOR	
CLASS I	GROUPS A, B, & D
CLASS II	GROUPS E, F, G
CLASS III	





CONTACT US

IN THE USA, FIND YOUR STATE IN THE MAP BELOW, LOOK FOR THE REGION ID NUMBER AND FIND THAT NUMBER IN THE CONTACT INFORMATION CHART.



CONTACT INFORMATION CHART

1	Call Factory Direct - 877-452-0157	Outside of the United States	Call Factory Direct - 877-452-0157
2	David Donahue Cell: 414-507-9513 Email: d.donahue@lubricationscientifics.com	7	Richard Hanley - <b>California</b> - Santa Barbara, Ventura, Los Angeles, Orange, San Bernardino, Riverside, San Diego and Imperial Counties. <b>Nevada</b> - Clark County. Cell: 714-625-5539 Email: rth@lubricationscientifics.com
3	Bernie Sauve + El Paso Texas Cell: 210-702-9930 Email: bernie@lubricationscientifics.com	8	<b>California</b> - All Counties not covered by Richard. <b>Nevada</b> - All Counties except Clark County. Call Factory Direct - 877-452-0157
4	Andy Kromer Cell: 440-364-4721 Email: akclub@lubricationscientifics.com	9	Call Factory Direct - 877-452-0157
5	Call Factory Direct - 877-452-0157	10	Call Factory Direct - 877-452-0157
6	Cory Walker Cell: 832-585-7065 Email: c.walker@lubricationscientifics.com		



**Customer Service (877-452-0157)**

- ◆ Order status & order entry
- ◆ Pricing inquiries
- ◆ Part number look-ups
- ◆ Product availability information
- ◆ Shipment assistance
- ◆ All other general inquires

**www.lubricationscientifics.com**

- ◆ Product information, specifications, literature
- ◆ Locate sales reps and distributors
- ◆ Operator & Repair manuals
- ◆ Distributer Information
- ◆ Place orders and check current pricing
- ◆ Product Pricing



LUBRICATION SCIENTIFICS, LLC

17651 ARMSTRONG AVE.

IRVINE, CA 92614

UNITED STATES OF AMERICA

TOLL FREE TEL: (877) 452-0157, LOCAL TEL: (714) 557-0664, FAX: (714) 546-4564

[WWW.LUBRICATIONSCIENTIFICS.COM](http://WWW.LUBRICATIONSCIENTIFICS.COM)