

LUBRICATION SCIENTIFICS, LLC

THE RIGHT PRODUCTS. THE RIGHT VALUES. THE RIGHT CHOICE.



LJP LUBRICATION PUMP



LJP—LUBRICATION PUMP



PRODUCT DESCRIPTION

ALUMINUM BODY & STEEL COMPONENTS

AVAILABLE WITH 3/16, 1/4, & 3/8 DISCHARGE PISTONS

UP TO FOUR DISCHARGE PISTONS WITH OIL SUPPLY PORT

CAN BE SUPPLIED WITH NPSF, SAE, OR BSPP INLET & OUTLET PORTS

MOUNTING HOLES & SHAFT CONNECTORS INTERCHANGEABLE WITH GERHARDT® PUMP

BENEFITS & FEATURES

DESIGNED FOR MINIMUM 5 RPM TO MAXIMUM 1000 RPM

SIMPLE PUMP OUTPUT ADJUSTMENT

LARGE OUTPUT RANGE

AIR PURGE PLUG LOCATED AT TOP

GERHARDT® PUMP INTERCHANGEABILITY

CAPABLE OF PUMPING GREASE (WITH PRESSURIZED SUPPLY)

READY FOR IMMEDIATE SHIPMENT

MADE IN



WWW.LUBRICATIONSCIENTIFICS.COM

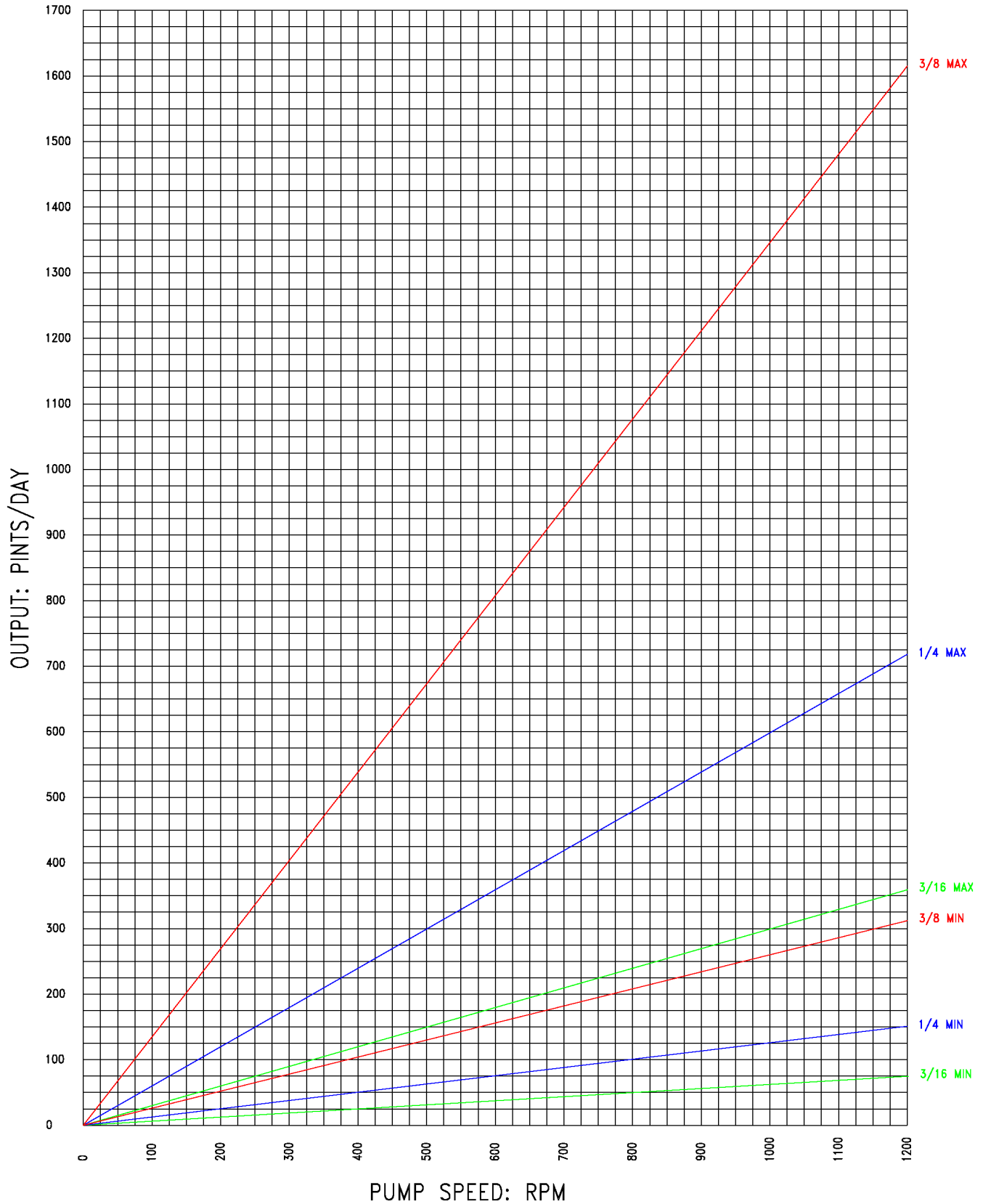
ORDERING INFORMATION & PART NUMBERS

LUBRICATION PUMP

PLUNGER OPTION		MIN.OUTPUT PER STROKE	MAX. OUTPUT PER STROKE	OUTPUT CHANGE PER 1/4 ROTATION OF CYL.	MAXIMUM CONTINUOUS OPERATING PRESSURE	MAXIMUM INTERMITTENT PRESSURE
3/16"	19	.0015 CU. IN. .0245 CC	.006 CU. IN. .098 CC	.0005 CU. IN. .008 CC	10,000 PSI 690 BAR	12,000 PSI 827 BAR
1/4"	25	.003 CU. IN. .049 CC	.0125 CU. IN. .204 CC	.0009 CU. IN. .014 CC	6,000 PSI 414 BAR	8,000 PSI 552 BAR
3/8"	38	.0065 CU. IN. .106 CC	.026 CU. IN. .426 CC	.0019 CU. IN. .031 CC	3,500 PSI 241 BAR	6,000 PSI 414 BAR



OUTPUT

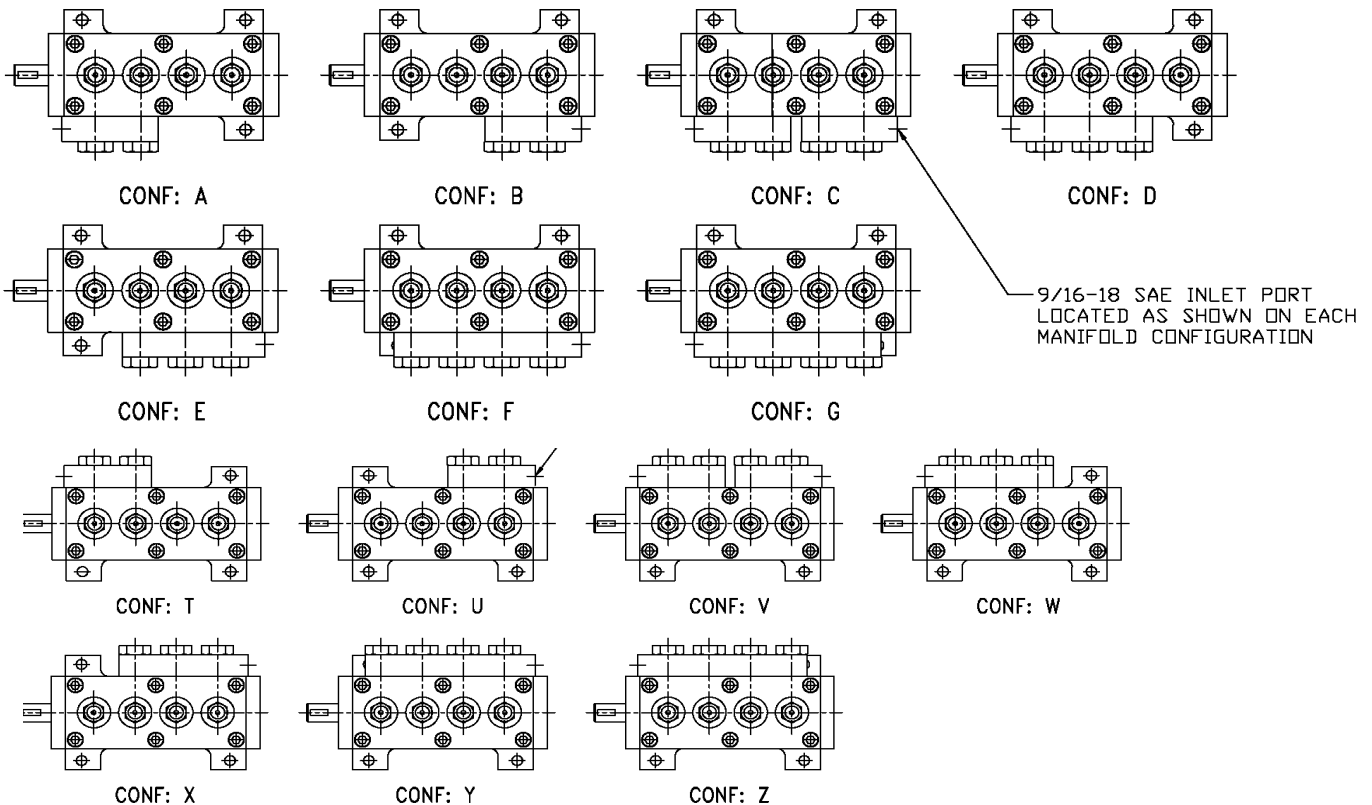


MODULAR PUMP ASSEMBLY ORDERING GUIDE

LJP-X-XX-XX-XX-XX-X-X

LSM-X-XX-XX-XX-XX-X-X		LSM-X-XX-XX-XX-XX-X-X		LSM-X-XX-XX-XX-XX-X-X		LSM-X-XX-XX-XX-XX-X-X	
DRIVE SHAFT	P/N	PUMP #1	P/N	PUMP #2	P/N	PUMP #3	P/N
LEFT SIDE	L	NONE	P	NONE	P	NONE	P
RIGHT SIDE	R	3/16 DIA	19	3/16 DIA	19	3/16 DIA	19
EXTENDED	B	1/4 DIA	25	1/4 DIA	25	1/4 DIA	25
		3/8 DIA	38	3/8 DIA	38	3/8 DIA	38

LSM-X-XX-XX-XX-XX-X-X		LSM-X-XX-XX-XX-XX-X-X		LSM-X-XX-XX-XX-XX-X-X	
PUMP #4	P/N	INLET MANIFOLD CONFIGURATION (OMIT IF NOT REQUIRED)	P/N	OUTLET MANIFOLD CONFIGURATION (OMIT IF NOT REQUIRED)	P/N
NONE	P	CONFIGURATION A	A	CONFIGURATION T	T
3/16 DIA	19	CONFIGURATION B	B	CONFIGURATION U	U
1/4 DIA	25	CONFIGURATION C	C	CONFIGURATION V	V
3/8 DIA	38	CONFIGURATION D	D	CONFIGURATION W	W
		CONFIGURATION E	E	CONFIGURATION X	X
		CONFIGURATION F	F	CONFIGURATION Y	Y
		CONFIGURATION G	G	CONFIGURATION Z	Z



LJP LUBRICATION PUMP PART NUMBER ORDERING GUIDE

ASSEMBLY DESCRIPTION	PART NUMBER
MASTER PUMP KIT, 3/16 PISTON	LJP-MPE19
MASTER PUMP KIT, 1/4 PISTON	LJP-MPE25
MASTER PUMP KIT, 3/8 PISTON	LJP-MPE38
PUMP REPAIR KIT, 3/16 PISTON	LJP-RPE19
PUMP REPAIR KIT, 1/4 PISTON	LJP-RPE25
PUMP REPAIR KIT, 3/8 PISTON	LJP-RPE35
PLUNGER REPAIR KIT, ALL	LJP-RPKU
REPLACEMENT DRIVE PLATE ASSEMBLY	LJP-RDPA
REPLACEMENT END PLATE ASSEMBLY	LJP-REPA
CYLINDER BORE PLUG	LJP-BBPK

ASSEMBLY DESCRIPTION	PART NUMBER
UPPER PUMP ASSEMBLY	LJP-UP001

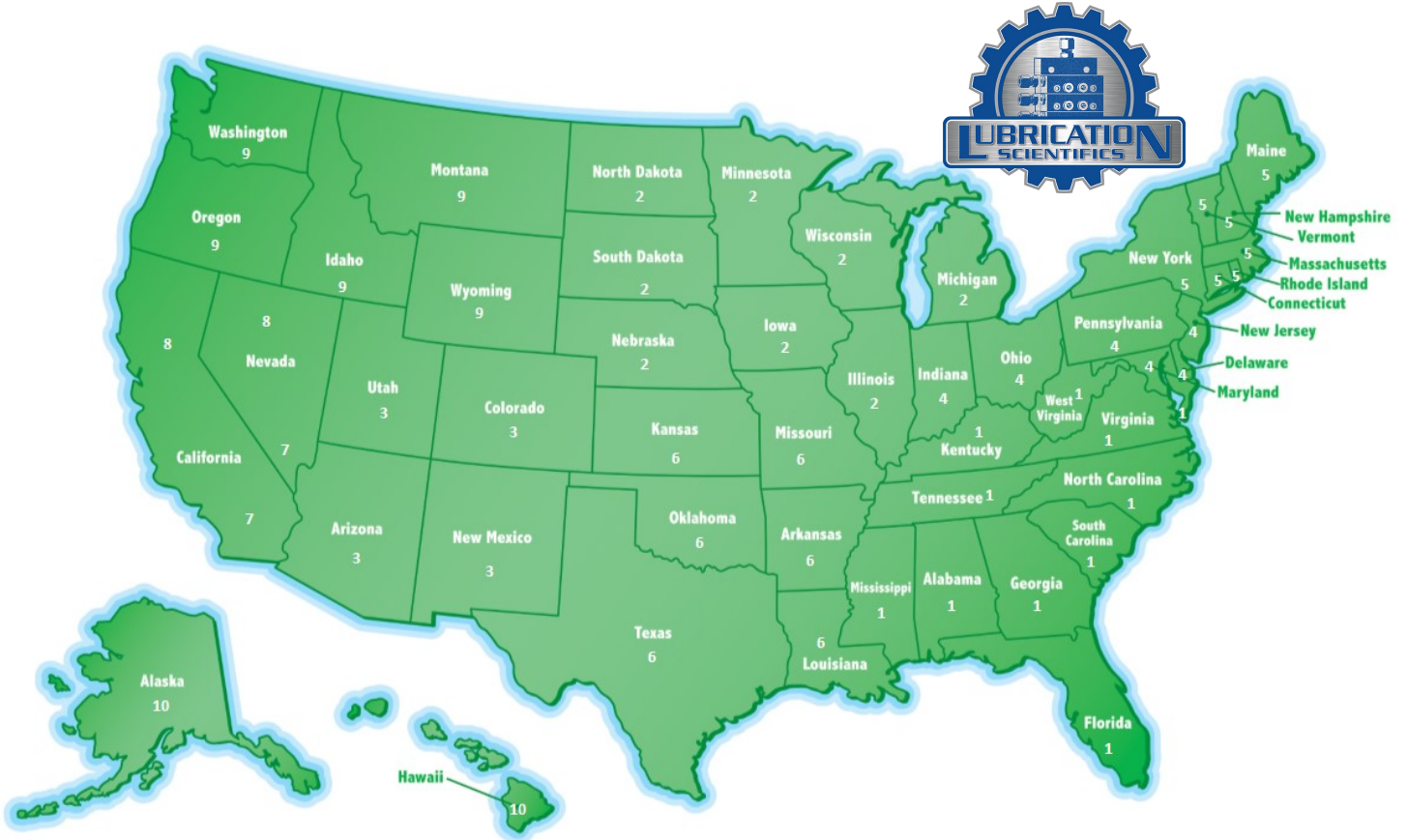


ASSEMBLY DESCRIPTION	PART NUMBER
LOWER DRIVE ASSEMBLY, LH OUTPUT	LJP-DR001
LOWER DRIVE ASSEMBLY, RH OUTPUT	LJP-DR002
LOWER DRIVE ASSEMBLY, EXTENDED	LJP-DR003



CONTACT US

IN THE USA, FIND YOUR STATE IN THE MAP BELOW, LOOK FOR THE REGION ID NUMBER AND FIND THAT NUMBER IN THE CONTACT INFORMATION CHART.



CONTACT INFORMATION CHART

1	Call Factory Direct - 877-452-0157
2	David Donahue Cell: 414-507-9513 Email: d.donahue@lubricationscientifics.com
3	Bernie Sauve + El Paso Texas Cell: 210-702-9930 Email: bernie@lubricationscientifics.com
4	Andy Kromer Cell: 440-364-4721 Email: akclub@lubricationscientifics.com
5	Call Factory Direct - 877-452-0157
6	Cory Walker Cell: 832-585-7065 Email: c.walker@lubricationscientifics.com

Outside of the United States	Call Factory Direct - 877-452-0157
7	Richard Hanley - California - Santa Barbara, Ventura, Los Angeles, Orange, San Bernardino, Riverside, San Diego and Imperial Counties. Nevada - Clark County. Cell: 714-625-5539 Email: rth@lubricationscientifics.com
8	California - All Counties not covered by Richard. Nevada - All Counties except Clark County. Call Factory Direct - 877-452-0157
9	Call Factory Direct - 877-452-0157
10	Call Factory Direct - 877-452-0157

Customer Service (877-452-0157)

- ◆ Order status & order entry
- ◆ Pricing inquiries
- ◆ Part number look-ups
- ◆ Product availability information
- ◆ Shipment assistance
- ◆ All other general inquires

www.lubricationscientifics.com

- ◆ Product information, specifications, literature
- ◆ Locate sales reps and distributors
- ◆ Operator & Repair manuals
- ◆ Distributer Information
- ◆ Place orders and check current pricing
- ◆ Product Pricing



LUBRICATION SCIENTIFICS, LLC

17651 ARMSTRONG AVE.

IRVINE, CA 92614

UNITED STATES OF AMERICA

TOLL FREE TEL: (877) 452-0157, LOCAL TEL: (714) 557-0664, FAX: (714) 546-4564

WWW.LUBRICATIONSCIENTIFICS.COM