



PNEUMATIC PUMPS
GREASE/OIL BARREL, TRANSFER,
MECHANICAL RAM PUMPS
& ACCESSORIES
ECONOMY, STANDARD, HEAVY DUTY
PUMPS, AND SYSTEMS



READY FOR IMMEDIATE SHIPMENT

MADE IN



WWW.LUBRICATIONSCIENTIFICS.COM

PNEUMATIC PUMPS

GREASE/OIL BARREL, TRANSFER,
MECHANICAL RAM PUMPS & ACCESSORIES

ECONOMY, STANDARD, HEAVY DUTY PUMPS, AND SYSTEMS

PRODUCT DESCRIPTION

PNEUMATIC POWERED OIL AND GREASE PUMPS

AVAILABLE IN ECONOMY, STANDARD-DUTY, & HEAVY-DUTY DESIGNS

PERFECT FOR SMALL, MEDIUM AND LARGE AUTOMATIC LUBE SYSTEMS

PERFECT FOR AUTOMATIC LUBE SYSTEM AUTO-REFILL SYSTEMS

COMPLETE ACCESSORY AND MAINTENANCE KIT OFFERING

BENEFITS & FEATURES

SUPERIOR QUALITY CONSTRUCTION

STATE OF THE ART MODERN PUMP DESIGN

1:1 OIL TRANSFER PUMPS AVAILABLE IN CRS AND STAINLESS STEEL (PERFECT FOR COMPRESSOR LUBRICATION SUPPLY TANKS)

GREASE PUMPS AVAILABLE FROM 40:1 TO 80:1

GREASE PRESSURES UP TO 8000 PSI

SINGLE AND DOUBLE POST MECHANICAL RAM PUMPS AVAILABLE

BULK GREASE TOTE PUMPS AVAILABLE

EASIER AND FASTER TO REBUILD THAN COMPETITOR'S PUMPS

ALL REBUILD KITS IN STOCK

INDEX

ECONOMY GREASE PUMPS	PAGE 3
STANDARD DUTY GREASE PUMPS	PAGE 4
HEAVY DUTY GREASE PUMPS (40:1)	PAGE 5
HEAVY DUTY GREASE PUMPS (70:1)	PAGE 6
HEAVY DUTY GREASE PUMPS (80:1)	PAGE 7
OIL TRANSFER PUMPS	PAGE 8
SINGLE POST (ECONOMY) MECHANICAL RAM PUMPS	PAGE 9
DOUBLE POST (HEAVY DUTY) MECHANICAL RAM PUMPS	PAGE 9
DIMENSIONS - DOUBLE POST (HEAVY DUTY) MECHANICAL RAM PUMPS	PAGE 10
ACCESSORIES	PAGE 11
REPAIR KITS	PAGE 12, 13, 14, & 15
INTERCHANGE	PAGE 16 & 17

READY FOR IMMEDIATE SHIPMENT

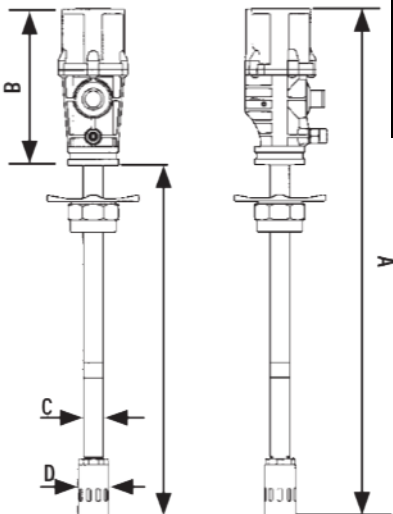
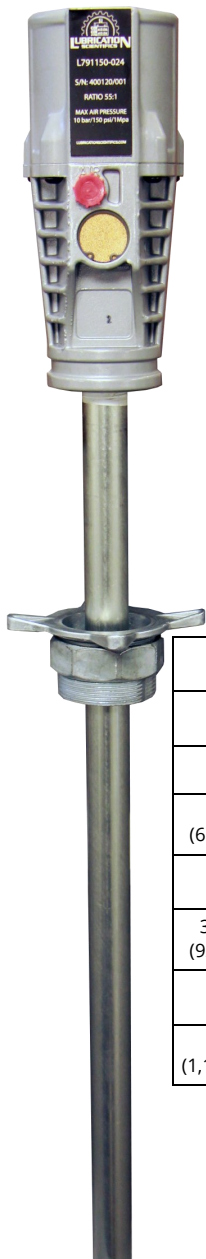
MADE IN



WWW.LUBRICATIONSCIENTIFICS.COM

ECONOMY GREASE PUMPS

55:1 PUMP



ECONOMY GREASE PUMP DESCRIPTION	PART NUMBER
GREASE PUMP, ECONOMY SERIES, 55:1, 35 LB	L791150-022
GREASE PUMP, ECONOMY SERIES, 55:1, 120 LB	L791150-023
GREASE PUMP, ECONOMY SERIES, 55:1, 400 LB	L791150-024

DESIGNED FOR 25-35, 120 AND 400 LB DRUMS, PORTABLE USE, AND SINGLE POINT DISPENSE. IDEAL FOR THE LOW VOLUME USER FOR GREASE FITTINGS ON SMALLER VEHICLES. DOUBLE ACTING POSITIVE DISPLACEMENT CAPABLE OF DELIVERING UP TO 1.2 LBS PER MINUTE.

FLUIDS / TECHNICAL DATA

- GREASE: UP TO NLGI-2
- PUMP RATIO: 55:1
- PUMP DELIVERY, 100 PSI (7 BAR) AIR PRESSURE AND FREE FLOW: 1.2 LB/ MIN (0,5 KG/MIN)
- OPERATING AIR PRESSURE: 20-140 PSI (1.5 -10 BAR)
- AIR CONSUMPTION: 90 PSI (6 BAR) & 110 CYCLES PER MIN - 5.8 SCFM
- MAX FLUID STALL PRESSURE @140 PSI (10 BAR) AIR - 7,700 PSI (550 BAR)
- CYCLES PER LB @ 100 PSI (7 BAR) FREE FLOW: 318

APPLICATIONS

- COST EFFICIENT SMALL TO MEDIUM AUTOMATIC LUBRICATION SYSTEMS
- IN-PLANT LOW VOLUME USE

DIMENSIONS				
L791150-022				
A	B	C	D	E
24" (610 MM)	8" (200 MM)	1" (26 MM)	16" (410 MM)	1 1/2" (38 MM)
L791150-023				
36 1/2" (925 MM)	8" (200 MM)	1" (26 MM)	28 1/2" (725 MM)	1 1/2" (38 MM)
L791150-024				
44" (1,120 MM)	8" (200 MM)	1" (26 MM)	36" (920 MM)	1 1/2" (38 MM)



**DRUM COVERS, FOLLOWERS, & BUNG ADAPTERS 55:1
ECONOMY GREASE PUMPS**

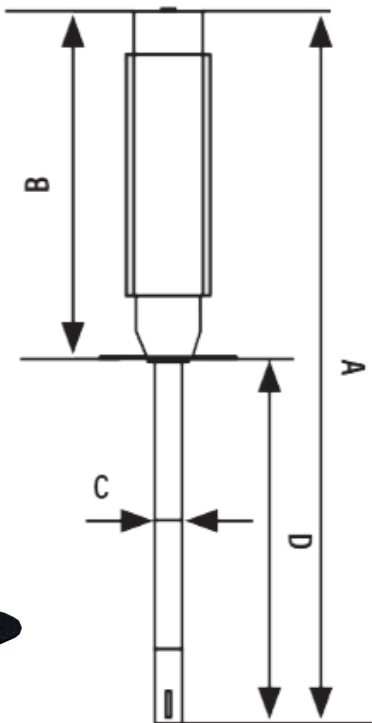
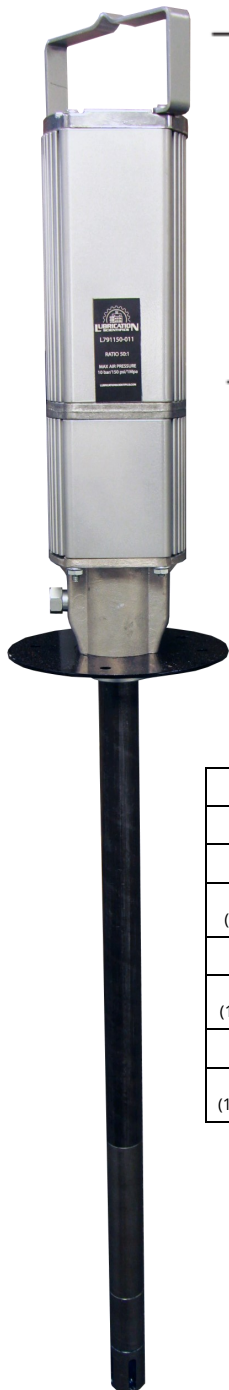
DRUM SIZE	DRUM COVER PART NUMBER	FOLLOWER PLATE PART NUMBER	BUNG ADAPTER PART NUMBER
35 LB	L794420-010	L794440-013	L794411-023
120 LB	L794420-011	L794440-014	L794411-023
400 LB	L794420-015	L794440-018	L794411-023

FIT MULTIPLE PUMP SIZES



FOR REPAIR KITS SEE PAGE 12

STANDARD DUTY GREASE PUMPS
50:1 PUMP



STANDARD DUTY GREASE PUMP DESCRIPTION	PART NUMBER
GREASE PUMP, STANDARD DUTY, 50:1 35 LB	L791150-009
GREASE PUMP, STANDARD DUTY, 50:1, 120 LB	L791150-010
GREASE PUMP, STANDARD DUTY, 50:1, 400 LB	L791150-011

DESIGNED FOR LOWER VOLUME USERS UP TO 2 DISPENSE POINTS. USED WITH 25-35, 120 AND 400 LB DRUMS. PERFECT FOR LOWER GREASE FITTINGS ON VEHICLES. DOUBLE ACTING POSITIVE DISPLACEMENT CAPABLE OF DELIVERING UP TO 3.4 LBS PER MINUTE.

FLUIDS / TECHNICAL DATA

- GREASE: UP TO NLGI-2
- PUMP RATIO: 50:1
- OPERATING AIR PRESSURE: 40-150 PSI (2.8 -10 BAR)
- AIR CONSUMPTION: 100 PSI (7 BAR) & 1.5 LB/MIN (.68 KG/MIN) - 14.5 SCFM
- MAX FLUID STALL PRESSURE @150 PSI (10 BAR) AIR - 7,500 PSI (517 BAR)
- CYCLES PER LB @ 100 PSI (7 BAR) FREE FLOW: 70

APPLICATIONS

- MEDIUM TO MODERATLY LARGE AUTOMATIC LUBRICATION SYSTEMS
- IN-PLANT LOW VOLUME USE

DIMENSIONS			
L791150-009			
A	B	C	D
36 3/4" (933 MM)	18 3/4" (476 MM)	1 1/4" (31.75 MM)	18" (46 MM)
L791150-010			
46 3/4" (1187 MM)	18 3/4" (476 MM)	1 1/4" (31.75 MM)	28" (71 MM)
L791150-011			
44" (1,120 MM)	18 3/4" (476 MM)	1 1/4" (31.75 MM)	34" (86 MM)



DRUM COVERS, FOLLOWERS, & BUNG ADAPTERS 50:1
STANDARD DUTY GREASE PUMPS

DRUM SIZE	DRUM COVER PART NUMBER	FOLLOWER PLATE PART NUMBER	BUNG ADAPTER PART NUMBER
35 LB	L794420-008	L794440-007	L794411009N
120 LB	L794420-009	L794440-008	L794411009N
400 LB	L794420-004	L794440-009	L794411009N

FIT MULTIPLE PUMP SIZES



FOR REPAIR KITS SEE PAGE 12

HEAVY DUTY GREASE PUMPS
40:1 450 SERIES PUMP

40:1 HEAVY DUTY GREASE PUMP DESCRIPTION	PART NUMBER
GREASE PUMP, HEAVY DUTY, 4.5" MOTOR, 40:1, 400 LB	L791450-002
GREASE PUMP, HEAVY DUTY, 4.5" MOTOR, 40:1, 120 LB	L791450-003
GREASE PUMP, HEAVY DUTY, 4.5" MOTOR, 40:1, BULK TOTE	L791450-004

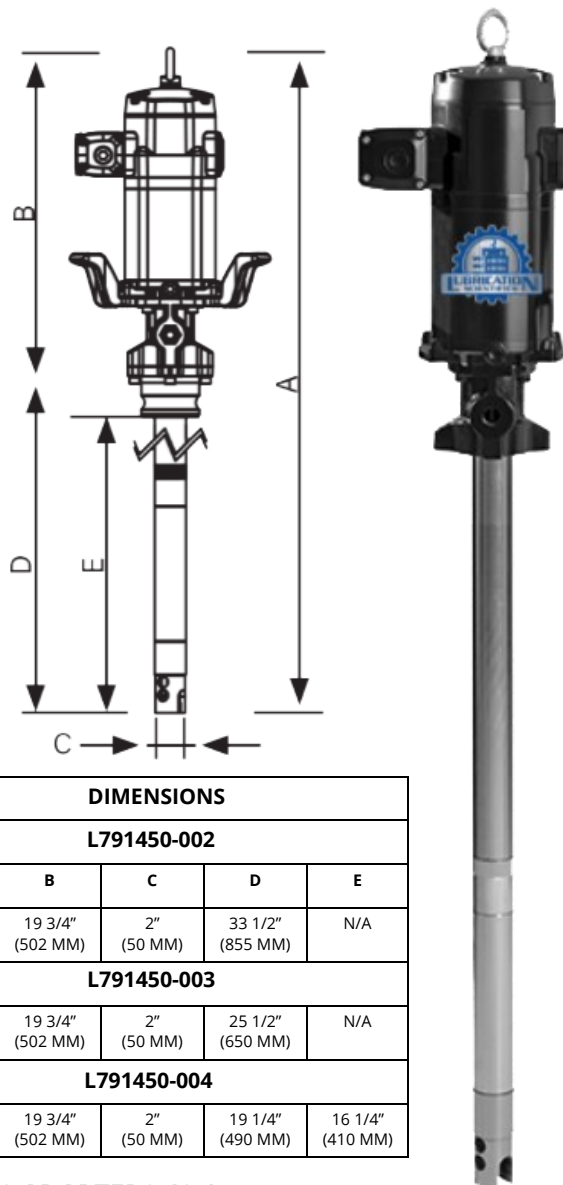
DESIGNED FOR MEDIUM VOLUME APPLICATIONS THAT REQUIRE HIGHER FLOW AND PRESSURE DELIVERY. CAN BE COMBINED WITH A FOLLOWER PLATE, GRAVITY MECHANICAL RAM SYSTEM, OR A DOUBLE POST RAM FOR SIMULTANEOUS DISPENSE, AND HIGHER FLOW APPLICATIONS.

FLUIDS / TECHNICAL DATA

- GREASE: UP TO NLGI-2
- CONTINUOUS DUTY FLOW RATE: 8 LB/MIN (3.5 KG/MIN)
- MAXIMUM FREE FLOW: 24 LB/MIN (11KG/MIN)
- CYCLES PER LB: 10
- OPERATING AIR PRESSURE: 30-200 PSI (1.38 - 14 BAR)
- MAXIMUM OUTLET PRESSURE: 8,000 PSI (560 BAR)

APPLICATIONS

- LARGE AUTOMATIC LUBRICATION SYSTEMS
- AUTOMATIC REFILL SYSTEMS



DIMENSIONS				
L791450-002				
A	B	C	D	E
53 1/4" (1,357 MM)	19 3/4" (502 MM)	2" (50 MM)	33 1/2" (855 MM)	N/A
L791450-003				
45 1/4" (1,152 MM)	19 3/4" (502 MM)	2" (50 MM)	25 1/2" (650 MM)	N/A
L791450-004				
39" (992 MM)	19 3/4" (502 MM)	2" (50 MM)	19 1/4" (490 MM)	16 1/4" (410 MM)

DRUM COVERS, FOLLOWERS, & BUNG ADAPTERS 40:1
450 SERIES **HEAVY DUTY GREASE PUMPS**

DRUM SIZE	DRUM COVER PART NUMBER	FOLLOWER PLATE PART NUMBER	BUNG ADAPTER MALE PART NUMBER	BUNG ADAPTER FEMALE PART NUMBER
120 LB	L794420-014	L794440-017	L794140058	L794140059
400 LB	L794420-013	L794440-015	L794140058	L794140059

FIT MULTIPLE PUMP SIZES



FOR REPAIR KITS SEE PAGE 13

HEAVY DUTY GREASE PUMPS
70:1 450 SERIES PUMP

70:1 HEAVY DUTY GREASE PUMP DESCRIPTION	PART NUMBER
GREASE PUMP, HEAVY DUTY , 4.5" MOTOR, 70:1, 400 LB	L791450-005
GREASE PUMP, HEAVY DUTY , 4.5" MOTOR, 70:1, 120 LB	L791450-006
GREASE PUMP, HEAVY DUTY , 4.5" MOTOR, 70:1, BULK TOTE	L791450-007

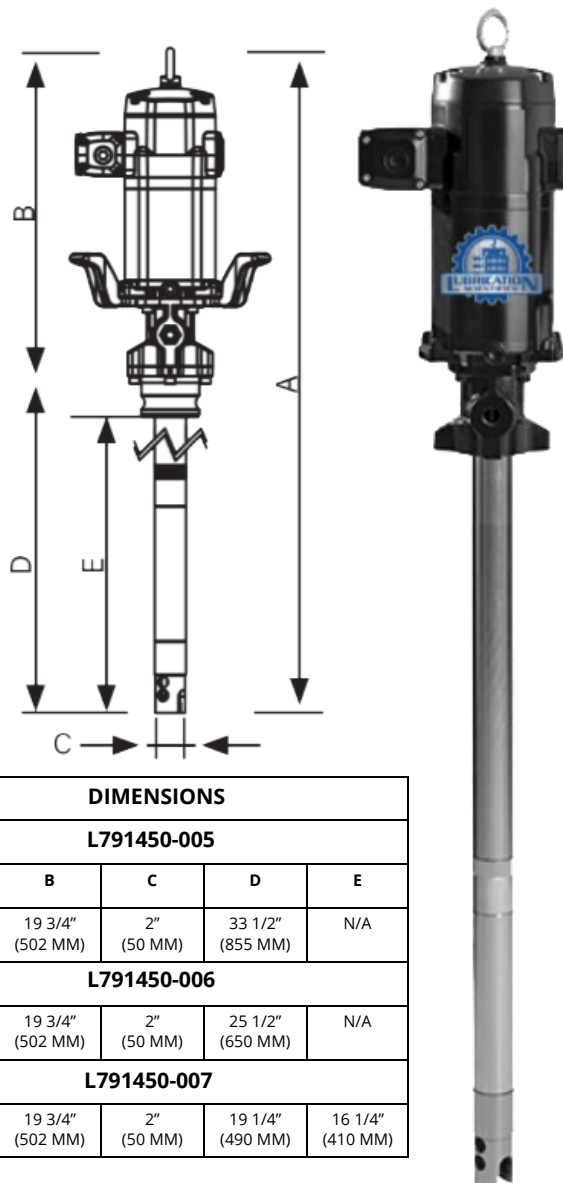
DESIGNED FOR **VERY COLD ENVIRONMENTS** AND/OR APPLICATIONS WHERE ONLY MEDIUM PRESSURE AIR IS AVAILABLE. CAN BE COMBINED WITH A FOLLOWER PLATE, GRAVITY MECHANICAL RAM SYSTEM, OR A DOUBLE POST RAM FOR SIMULTANEOUS DISPENSE, AND HIGHER FLOW APPLICATIONS.

FLUIDS / TECHNICAL DATA

- GREASE: UP TO NLGI-2
- CONTINUOUS DUTY FLOW RATE: 5 LB/MIN (2 KG/MIN)
- MAXIMUM FREE FLOW: 16 LB/MIN (7.25 KG/MIN)
- CYCLES PER LB: 17
- OPERATING AIR PRESSURE: 30-100 PSI (1.38 - 7 BAR)
- MAXIMUM OUTLET PRESSURE: 7,000 PSI (490 BAR)

APPLICATIONS

- LARGE AUTOMATIC LUBRICATION SYSTEMS



DIMENSIONS				
L791450-005				
A	B	C	D	E
53 1/4" (1,357 MM)	19 3/4" (502 MM)	2" (50 MM)	33 1/2" (855 MM)	N/A
L791450-006				
45 1/4" (1,152 MM)	19 3/4" (502 MM)	2" (50 MM)	25 1/2" (650 MM)	N/A
L791450-007				
39" (992 MM)	19 3/4" (502 MM)	2" (50 MM)	19 1/4" (490 MM)	16 1/4" (410 MM)

DRUM COVERS, FOLLOWERS, & BUNG ADAPTERS 70:1 450 SERIES **HEAVY DUTY GREASE PUMPS**

DRUM SIZE	DRUM COVER PART NUMBER	FOLLOWER PLATE PART NUMBER	BUNG ADAPTER MALE PART NUMBER	BUNG ADAPTER FEMALE PART NUMBER
120 LB	L794420-014	L794440-017	L794140058	L794140059
400 LB	L794420-013	L794440-015	L794140058	L794140059

FIT MULTIPLE PUMP SIZES



FOR REPAIR KITS SEE PAGE 13

HEAVY DUTY GREASE PUMPS
80:1 600 SERIES PUMP

80:1 HEAVY DUTY GREASE PUMP DESCRIPTION	PART NUMBER
GREASE PUMP, HEAVY DUTY, 6.0" MOTOR, 80:1, 400 LB	L791450-008
GREASE PUMP, HEAVY DUTY, 6.0" MOTOR, 80:1, 120 LB	L791450-009

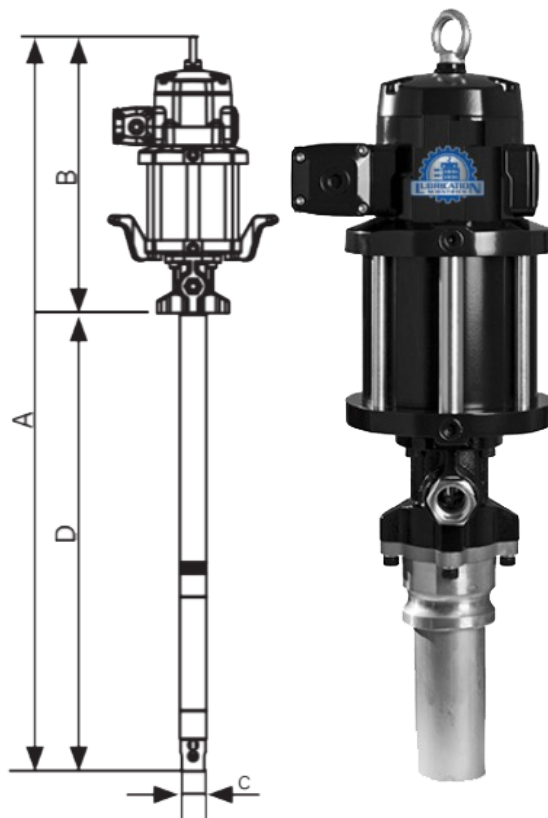
DESIGNED FOR **VERY COLD ENVIRONMENTS** AND/OR APPLICATIONS WHERE ONLY MEDIUM PRESSURE AIR IS AVAILABLE. CAN BE COMBINED WITH A FOLLOWER PLATE, GRAVITY MECHANICAL RAM SYSTEM, OR A DOUBLE POST RAM FOR SIMULTANEOUS DISPENSE, AND HIGHER FLOW APPLICATIONS. SIMILAR TO THE 70:1 GREASE PUMP BUT OPERATES AT LOWER CYCLE RATES FOR SEVERE ENVIRONMENTS.

FLUIDS / TECHNICAL DATA

- GREASE: UP TO NLGI-2
- CONTINUOUS DUTY FLOW RATE: 6 LB/MIN (2.5 KG/MIN)
- MAXIMUM FREE FLOW: 18 LB/MIN (8 KG/MIN)
- CYCLES PER LB: 11
- OPERATING AIR PRESSURE: 30-100 PSI (1.38 - 7 BAR)
- MAXIMUM OUTLET PRESSURE: 8,000 PSI (560 BAR)

APPLICATIONS

- VERY LARGE AUTOMATIC LUBRICATION SYSTEMS

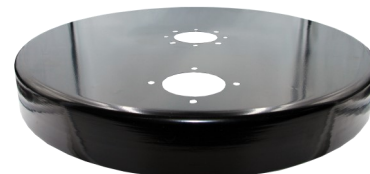


DIMENSIONS			
L791450-008			
A	B	C	D
53 1/2" (1,371 MM)	20" (516 MM)	2" (50 MM)	33 1/2" (855 MM)
L791450-009			
45 1/2" (1,166MM)	20" (516 MM)	2" (50 MM)	25 1/2" (650 MM)

DRUM COVERS, FOLLOWERS, & BUNG ADAPTERS 80:1
600 SERIES HEAVY DUTY GREASE PUMPS

DRUM SIZE	DRUM COVER PART NUMBER	FOLLOWER PLATE PART NUMBER	BUNG ADAPTER MALE PART NUMBER	BUNG ADAPTER FEMALE PART NUMBER
120 LB	L794420-014	L794440-017	L794140058	L794140059
400 LB	L794420-013	L794440-015	L794140058	L794140059

FIT MULTIPLE PUMP SIZES



FOR REPAIR KITS SEE PAGE 14

OIL TRANSFER PUMPS
1:1—CRS & STAINLESS STEEL PUMP

TRANSFER PUMP DESCRIPTION	PART NUMBER
TRANSFER PUMP, 1:1, SS, W/ BUNG ADAP	L791160-008
TRANSFER PUMP, 1:1, CRS, W/BUNG ADAP	L791110-010

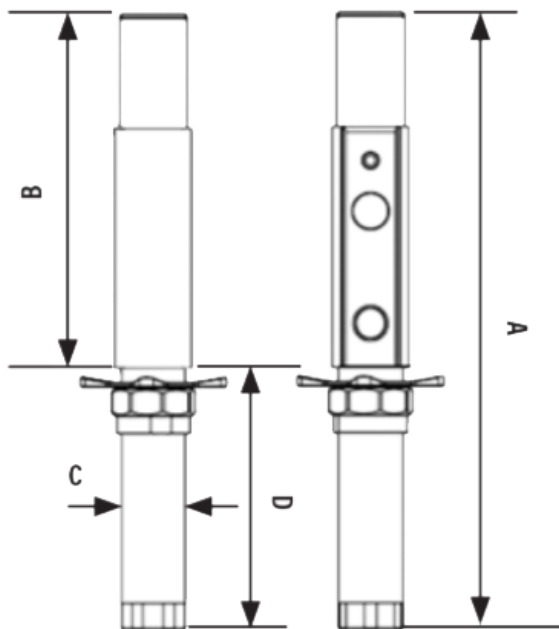
DESIGNED FOR SMALL VOLUME USERS, FOR SYNTHETICS, GEAR OILS, AND STANDARD MINERAL OILS.

FLUIDS

- SYNTHETIC AND MINERAL BASED LUBRICANTS
- HYDRAULIC FLUID
- TRANSMISION FLUID
- ANTI-FREEZE/WINDSHIELD WASK FLUID (COMPATIBLE ONLY WITH STAINLESS STEEL)

APPLICATIONS

- LUBRICATION SYSTEM DAY TANKS



DIMENSIONS			
L791110-008			
A	B	C	D
48 4/5" (1,239.5 MM)	12 1/5" (309.9 MM)	2 4/5" (309.9 MM)	36 1/2" (927 MM)
L791110-009			
48 23/32" (1,212 MM)	11 2/9" (285 MM)	2 4/5" (309.9 MM)	36 1/2" (927 MM)

FOR USE WITH	SUCTION TUBE DESCRIPTION	PART NUMBER
16 GAL DRUM	SUCTION PICKUP TUBE, TRANSFER PUMP, 18"	L794412-044
165/280 GAL BENCH TANK	SUCTION PICKUP TUBE, TRANSFER PUMP, 21"	L794412-045
55 GAL DRUM	SUCTION PICKUP TUBE, TRANSFER PUMP, 26"	L794412-046
250 GAL BENCH TANK DOUBLE TAP	SUCTION PICKUP TUBE, TRANSFER PUMP, 28"	L794412-047
165/280 GAL BENCH TANK DOUBLE TAP	SUCTION PICKUP TUBE, TRANSFER PUMP, 30"	L794412-048
275 GAL TOTE	SUCTION PICKUP TUBE, TRANSFER PUMP, 32"	L794412-049
330 GAL TOTE	SUCTION PICKUP TUBE, TRANSFER PUMP, 39"	L794412-050
275/330 GAL HOIZONTAL OBROUND DOUBLE TAP	SUCTION PICKUP TUBE, TRANSFER PUMP, 42"	L794412-051
330 GAL VERTICAL OBROUND	SUCTION PICKUP TUBE, TRANSFER PUMP, 60"	L794412-052



FOR REPAIR KITS SEE PAGE 15

SINGLE POST (**ECONOMY**)
MECHANICAL RAM PUMPS

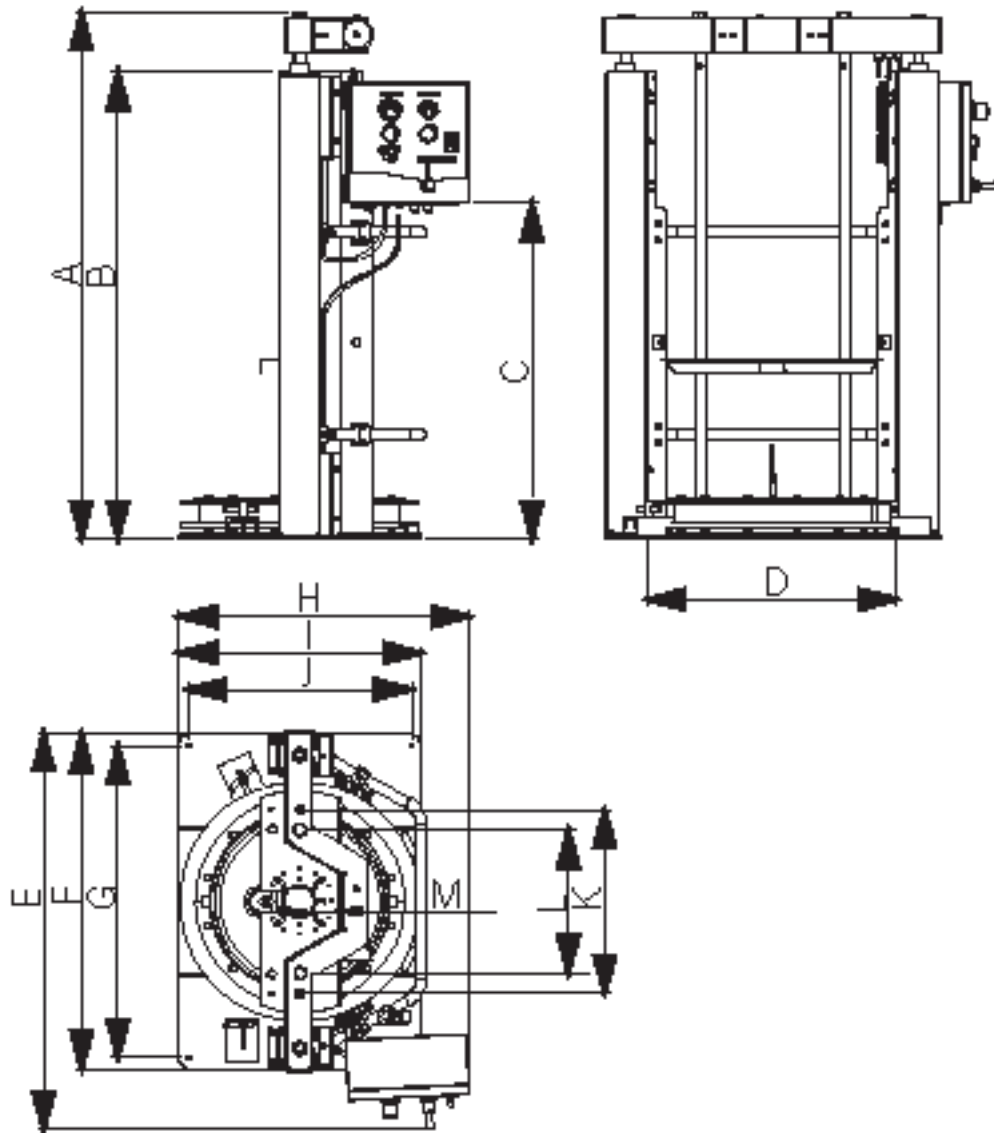


DOUBLE POST (**HEAVY DUTY**) MECHANICAL
RAM PUMPS











DESCRIPTION	PART NUMBER	DESCRIPTION (SEE DIMENSIONS ON PAGE 8)	MODELS AVAILABLE
GREASE PUMP, HEAVY DUTY MECHANICAL RAM SYSTEM, 40:1, 400 LB *	L791451-004	MECHANICAL RAM, DOUBLE POST AIR OPERATED.	L794450-004
GREASE PUMP, HEAVY DUTY MECHANICAL RAM SYSTEM, 70:1, 400 LB *	L791451-005	450, 40:1 PUMP DOUBLE POST MECHANICAL RAM.	L791451-001
GREASE PUMP, HEAVY DUTY MECHANICAL RAM SYSTEMS, 80:1, 400 LB *	L791451-006	INCLUDES: L791450-003 450, 40:1 PUMP L794450-004 DOUBLE POST MECHANICAL RAM KIT, COLLAR/FOLLOWER-PLATE	
*FOR PUMP SPECIFICATIONS AND DIMENSIONS REFER TO PAGES 5, 6, OR 7.		PACKAGE, 450, 70:1 PUMP DOUBLE POST MECHANICAL RAM.	L791451-002
		INCLUDES: L791450-006 450, 70:1 PUMP L794450-004 DOUBLE POST MECHANICAL RAM KIT, COLLAR/FOLLOWER-PLATE	
FLOOR MOUNTING SINGLE BRACKET		PACKAGE, 600, 80:1 PUMP DOUBLE POST MECHANICAL RAM.	L791451-003
DESCRIPTION	PART NUMBER	INCLUDES: L791450-009 600, 80:1 PUMP L794450-004 DOUBLE POST MECHANICAL RAM KIT, COLLAR/FOLLOWER-PLATE	
BASE FOR GREASE HOIST & MECHANICAL RAM	L794450-005	PACKAGE, 600, 12:1 PUMP DOUBLE POST MECHANICAL RAM.	L791451-007
		INCLUDES: L791450-010 600, 12:1 PUMP L794450-004 DOUBLE POST MECHANICAL RAM KIT, COLLAR/FOLLOWER-PLATE	

DIMENSIONS - DOUBLE POST (HEAVY DUTY) MECHANICAL RAM PUMPS



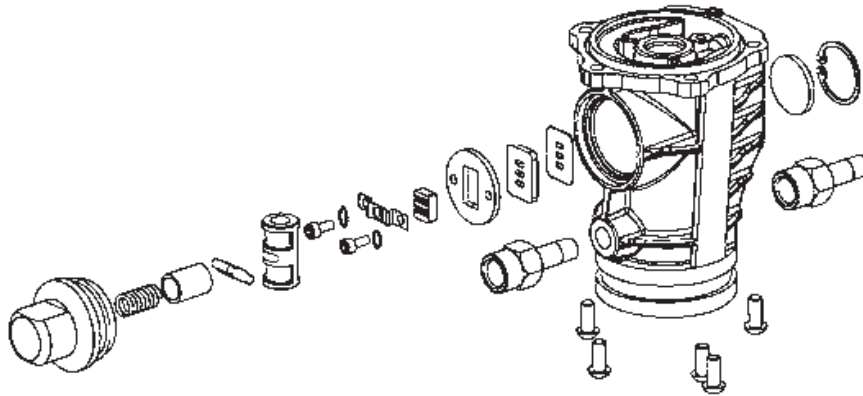
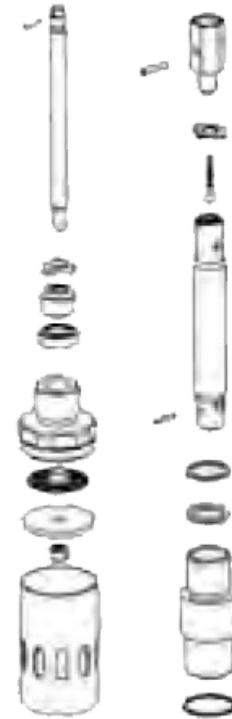
DIMENSIONS INCHES (MM)							
A	B	C	D	E	F	G	H
LOWERED/ RAISED							
52" (1,320 mm) 88" (2,230 mm)	45 1/2" (1,156 mm)	32 2/3" (830 mm)	24 1/2" (74 mm)	38 3/4" (554 mm)	32 2/3" (830 mm)	30 1/3" (771 mm)	28 1/3" (720 mm)
I	J	K	L	M			
LOWERED/ RAISED							
23 2/3" (600 mm)	21 3/4" (554 mm)	18" (455 mm)	14" (355 mm)	4" (104 mm)			

ACCESSORIES

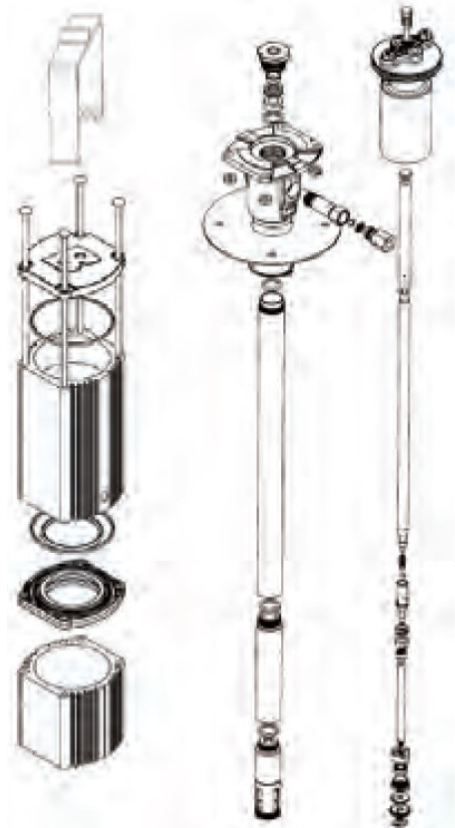
<p>Inlet Screen Mesh</p>		<p>L794430-003, INLET SCREEN, 30-MESH 50:1 L794430-004, INLET SCREEN, 30-MESH GREASE PUMP</p>			
<p>Grease Handles</p>		<p>L793310-008, GREASE HANDLE L793310-010, GREASE HANDLE WITH Z-SWIVEL L793310-025, GREASE HANDLE WITH 18" WHIP HOSE AND Z-SWIVEL L793310-020, GREASE HANDLE WITH 36" WHIP HOSE AND Z-SWIVEL L793310-007, GREASE HANDLE L793310-009, BOOSTER GREASE HANDLE WITH Z-SWIVEL L793310-030, COMFORT GRIP GREASE HANDLE L793310-031, COMFORT GRIP GREASE HANDLE WITH 18" WHIP HOSE AND Z-SWIVEL L793310-032, COMFORT GRIP GREASE HANDLE WITH 36" WHIP HOSE AND Z-SWIVEL</p>	<p>Pump Runaway Control</p>		<p>L793241-002, PUMP RUNAWAY CONTROL 1/4" NPT(F) L793241-001, PUMP RUNAWAY CONTROL 1/2" NPT(F)</p>
<p>Other Accessories</p>		<p>L798390-002, 18" WHIP HOSE HP L798390-003, 36" WHIP HOSE HP L798390-004, 42" WHIP HOSE HP MAX. PRESSURE 5,000 PSI (345 BAR) HOSE END 1/8" NPT(M) ON BOTH ENDS COMPATIBLE FLUID NLGI LB2 GREASE FLEXIBLE EXTENSION L795310-018, Z-SWIVEL 1/4" NPT(F) X 1/4" NPT(M) L795200-017, QUICK LOCK GREASE COUPLER 1/8" NPT(F) L795310-024, GREASE COUPLER 4-JAWS L795400-003, BEARING PACKER</p>	<p>Connecting Hose Kit</p>		<p>L794410-035, CONNECTING HOSE KIT W/GREASE HANDLE FOR GREASE L794410-036, CONNECTING HOSE KIT FOR GREASE L794410-030, CONNECTING HOSE KIT FOR GREASE:</p>
			<p>Holster</p>		<p>L794420-012, HOLSTER, GREASE GUN HOLDER FOR DRUM COVER L794420-010</p>
			<p>Cam-lock</p>		<p>L794140-058, MALE CAM-LOCK 3" 450/600 FOR TOTE APPLICATIONS L794140-059, FEMALE CAM-LOCK 3" 450/600 FOR TOTE APPLICATIONS</p>
			<p>Filter Regulator</p>		<p>L793260-036, F/R AUTO DRAIN 1/2" NPT (F)</p>

PISTON PUMP REPAIR KITS FOR GREASE PUMPS

REPAIR KIT ECONOMY GREASE PUMPS 55:1 DESCRIPTION	PUMP PART NUMBER	REPAIR KIT PART NUMBER
REPAIR KIT, AIR MOTOR, ECONOMY , 55:1, ALL	L791150-022 L791150-023 L791150-024	L79833038
REPAIR KIT, PACKING SEAL, ECONOMY , 55:1, ALL	L791150-022 L791150-023 L791150-024	L79833039
REPAIR KIT, FOOT VALVE, ECONOMY , 55:1, ALL	L791150-022 L791150-023 L791150-024	L79833040
REPAIR KIT, HP PISTON/CYL & CHECK, ECONOMY , 55:1, ALL	L791150-022 L791150-023 L791150-024	L79833041



REPAIR KIT STANDARD DUTY GREASE PUMPS 50:1 DESCRIPTION	PUMP PART NUMBER	PART NUMBER
REPAIR KIT, AIR MOTOR, STANDARD DUTY, 50:1, ALL	L791150-009 L791150-010 L791150-011	L79831619
REPAIR KIT, FLUID SEAL, STANDARD DUTY, 50:1, ALL	L791150-009 L791150-010 L791150-011	L79900022
REPAIR KIT, FLUID - COMPLETE, STANDARD DUTY, 50:1, 35 LB	L791150-009 L791150-010 L791150-011	L79831616 *
REPAIR KIT, FLUID - COMPLETE, STANDARD DUTY, 50:1, 120 LB	L791150-009 L791150-010 L791150-011	L79831617 *
REPAIR KIT, FLUID - COMPLETE, STANDARD DUTY, 50:1, 400 LB	L791150-009 L791150-010 L791150-011	L79831618 *



*AVAILABLE BY SPECIAL ORDER ONLY
FIT MULTIPLE PUMP SIZES

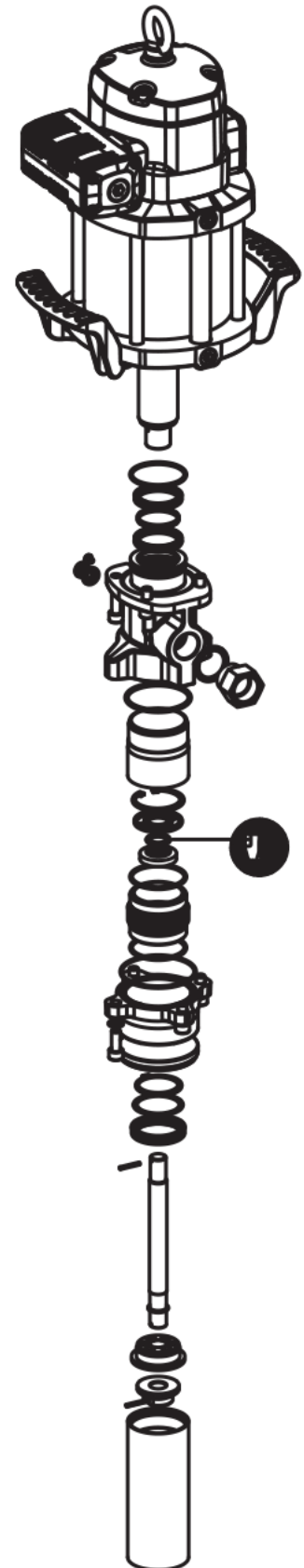
PISTON PUMP REPAIR KITS FOR GREASE PUMPS
(CONTINUED)

REPAIR KIT HEAVY DUTY GREASE PUMPS 40:1 450 SERIES DESCRIPTION	PUMP PART NUMBER	PART NUMBER
REPAIR KIT, LOWER SEAL KIT, ALL 40:1 PUMPS	L791450-002 L791450-003 L791450-004	L79833409
REPAIR KIT, FOOT VALVE, HEAVY DUTY, ALL 40:1	L791450-002 L791450-003 L791450-004	L79833410
REPAIR KIT, UPPER VALVE KIT, ALL 40:1	L791450-002 L791450-003 L791450-004	L79833411
REPAIR KIT, AIR MTR SEAL KIT, ALL 40:1	L791450-002 L791450-003 L791450-004	L79833412
REPAIR KIT, EXH MUFFLER KIT, ALL HEAVY DUTY 40:1	L791450-002 L791450-003 L791450-004	L79833413
REPAIR KIT, SPOOLS/SEAL KIT, ALL HEAVY DUTY 40:1	L791450-002 L791450-003 L791450-004	L79833414
COLLAR/FOLLOWER PLATE, 40:1 400LB	L791450-002	L79833650 *

*AVAILABLE BY SPECIAL ORDER ONLY
FIT MULTIPLE PUMP SIZES

REPAIR KIT HEAVY DUTY GREASE PUMPS 70:1 450 SERIES DESCRIPTION	PUMP PART NUMBER	PART NUMBER
REPAIR KIT, UPPER VALVE KIT, ALL 70:1	L791450-005 L791450-006 L791450-007	L79833411
REPAIR KIT, AIR MTR SEAL KIT, ALL 70:1	L791450-005 L791450-006 L791450-007	L79833412
REPAIR KIT, EXH MUFFLER KIT, ALL HEAVY DUTY 70:1	L791450-005 L791450-006 L791450-007	L79833413
REPAIR KIT, SPOOLS/SEAL KIT, ALL HEAVY DUTY 70:1	L791450-005 L791450-006 L791450-007	L79833414
REPAIR KIT, LOWER SEAL KIT, ALL 70:1 PUMPS	L791450-005 L791450-006 L791450-007	L79833598
REPAIR KIT, FOOT VALVE, HEAVY DUTY , ALL 70:1	L791450-005 L791450-006 L791450-007	L79833599
COLLAR/FOLLOWER PLATE, 70:1 120LB	L791450-006	L79833650 *

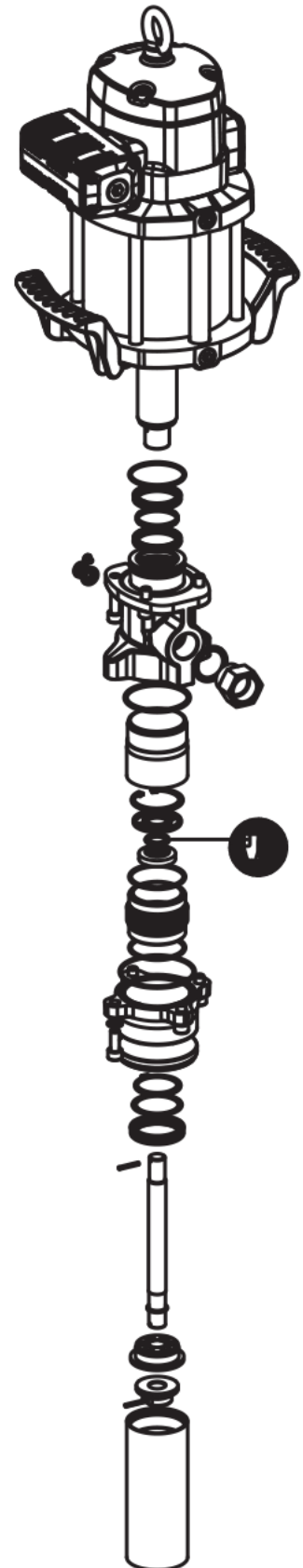
*AVAILABLE BY SPECIAL ORDER ONLY
FIT MULTIPLE PUMP SIZES



PISTON PUMP REPAIR KITS FOR GREASE PUMPS
(CONTINUED)

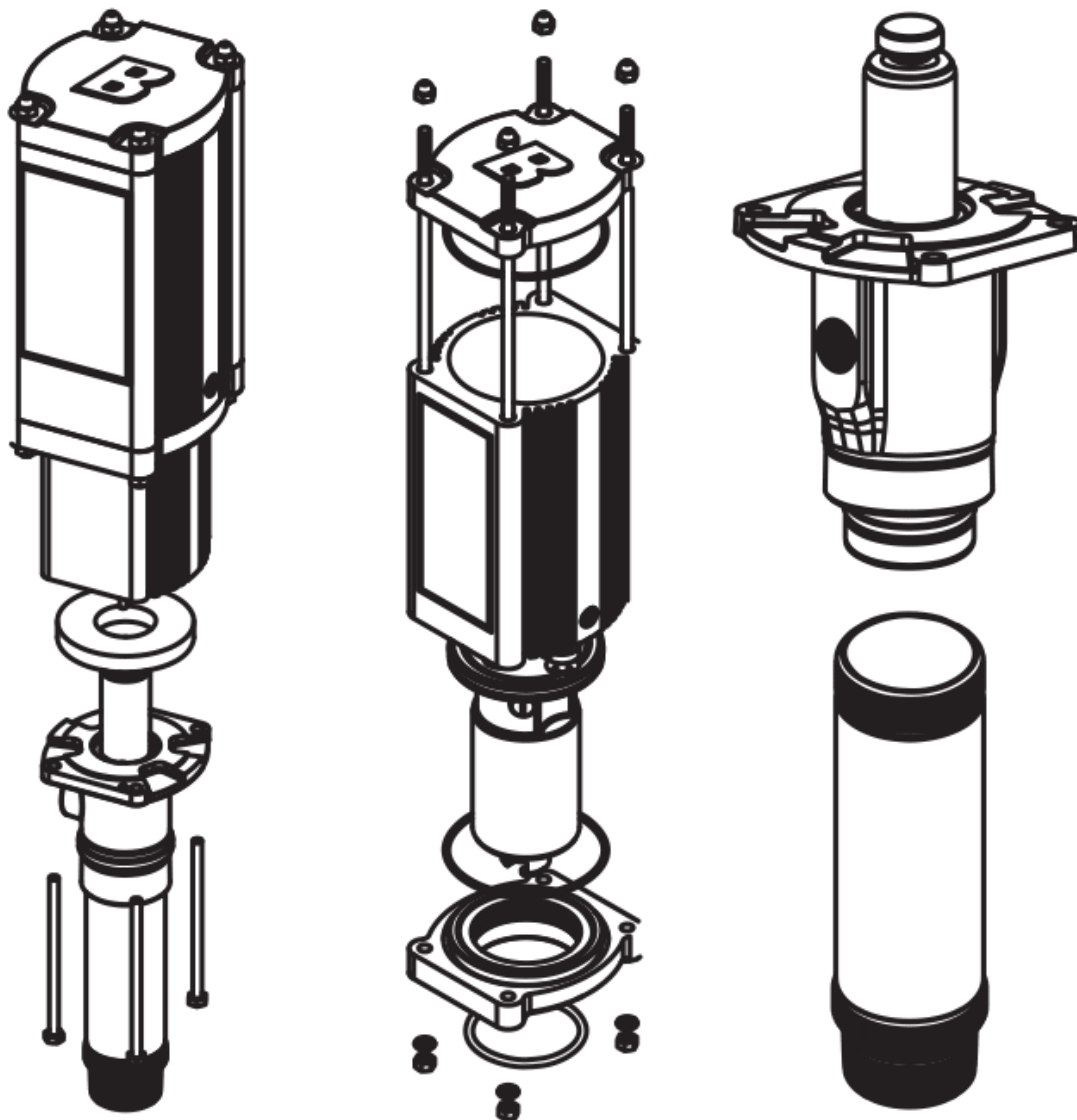
REPAIR KIT HEAVY DUTY GREASE PUMPS 80:1 600 SERIES DESCRIPTION	PUMP PART NUMBER	PART NUMBER
REPAIR KIT, LOWER SEAL KIT, ALL 80:1 PUMPS	L791450-008 L791450-009	L79833409
REPAIR KIT, EXH MUFFLER KIT, ALL HEAVY DUTY 80:1	L791450-008 L791450-009	L79833413
REPAIR KIT, SPOOLS/SEAL KIT, ALL HEAVY DUTY 80:1	L791450-008 L791450-009	L79833414
COLLAR/FOLLOWER PLATE, 80:1 120LB	L791450-009	L79833650 *
REPAIR KIT, AIR MTR SEAL KIT, ALL 6.0" MTR, 80:1	L791450-008 L791450-009	L79833511

*AVAILABLE BY SPECIAL ORDER ONLY
FIT MULTIPLE PUMP SIZES



PISTON PUMP REPAIR KITS FOR OIL PUMPS

REPAIR KIT OIL TRANSFER PUMPS	PUMP PART	PART NUMBER
1:1 REPAIR KIT, L791160-008 SS PUMP	L791160-008	L79832953
1:1 REPAIR KIT, L791110-010 CRS PUMP	L791110-010	L79833109
1:1 REPAIR KIT, AIR VALVE L791110-010 CRS PUMP	L791110-010	L79833110



PART NUMBER INTERCHANGE

LINCOLN PART NUMBER	GRACO PART NUMBER	LUBRICATION SCIENTIFICS PART NUMBER	PRODUCT DESCRIPTION
N/A	77X540	L527680-NO-000	24 VDC ELECTRIC VENT VALVE
84080-9	N/A	L791160-008	TRANSFER PUMP, 1:1, SS, W/BUNG ADAP
4490/84829	N/A	L791110-010	TRANSFER PUMP, 1:1, CRS, W/BUNG ADAP
N/A	N/A	L794412-044	SUCTION PICKUP TUBE, TRANSFER PUMP, 18"
N/A	N/A	L794412-045	SUCTION PICKUP TUBE, TRANSFER PUMP, 21"
N/A	N/A	L794412-046	SUCTION PICKUP TUBE, TRANSFER PUMP, 26"
N/A	N/A	L794412-047	SUCTION PICKUP TUBE, TRANSFER PUMP, 28"
N/A	N/A	L794412-048	SUCTION PICKUP TUBE, TRANSFER PUMP, 30"
N/A	N/A	L794412-049	SUCTION PICKUP TUBE, TRANSFER PUMP, 32"
N/A	N/A	L794412-050	SUCTION PICKUP TUBE, TRANSFER PUMP, 39"
N/A	N/A	L794412-051	SUCTION PICKUP TUBE, TRANSFER PUMP, 42"
N/A	N/A	L794412-052	SUCTION PICKUP TUBE, TRANSFER PUMP, 60"
N/A	N/A	L791150-022	GREASE PUMP, ECONOMY SERIES, 55:1, 35LB
82050	N/A	L791150-023	GREASE PUMP, ECONOMY SERIES, 55:1, 120LB
82054	N/A	L791150-024	GREASE PUMP, ECONOMY SERIES, 55:1, 400LB
N/A	N/A	L794420-010	DRUM COVER, ECON SERIES, 55:1, 35LB
N/A	N/A	L794440-013	FOLLOWER, ECON SERIES, 55:1, 35LB
46007	N/A	L794420-011	DRUM COVER, ECON SERIES, 55:1, 120LB
84780	N/A	L794440-014	FOLLOWER, ECON SERIES, 55:1, 120LB
81523	N/A	L794420-015	DRUM COVER, ECON SERIES, 55:1, 400LB
83366	N/A	L794440-018	FOLLOWER, ECON SERIES, 55:1, 400LB
N/A	N/A	L794411-023	BUNG ADAPTER, ECON SERIES 55:1, ALL
N/A	N/A	L79833038	REPAIR KIT, AIR MOTOR, ECON, 55:1, ALL
N/A	N/A	L79833039	REPAIR KIT, PACKING SEAL, ECON, 55:1, ALL
N/A	N/A	L79833040	REPAIR KIT, FOOT VALVE, ECON, 55:1, ALL
N/A	N/A	L79833041	REPAIR KIT, HP PISTON/CYL & CHECK, ECON, 55:1, ALL
N/A	N/A	L791150-009	GREASE PUMP, STANDARD DUTY, 50:1, 35LB
84667	N/A	L791150-010	GREASE PUMP, STANDARD DUTY, 50:1, 120LB
84668	N/A	L791150-011	GREASE PUMP, STANDARD DUTY, 50:1, 400LB
N/A	N/A	L794420-008	DRUM COVER, STD DUTY SERIES, 50:1, 35LB
N/A	N/A	L794440-007	FOLLOWER, STD DUTY SERIES, 50:1, 35LB
81538	N/A	L794420-009	DRUM COVER, STD DUTY SERIES, 50:1, 120LB
84780	N/A	L794440-008	FOLLOWER, STD DUTY SERIES, 50:1, 120LB
81412	N/A	L794420-004	DRUM COVER, STD DUTY SERIES, 50:1, 400LB
83369	N/A	L794440-009	FOLLOWER, STD DUTY SERIES, 50:1, 400LB
N/A	N/A	L794411009N	BUNG ADAPTER, STD DUTY SERIES 50:1, ALL
N/A	N/A	L79831619	REPAIR KIT, AIR MOTOR, STD DUTY, 50:1, ALL
N/A	N/A	L79900022	REPAIR KIT, FLUID SEAL, STD DUTY, 50:1, ALL
N/A	N/A	L79831616	REPAIR KIT, FLUID - COMPLETE, STD DUTY, 50:1, 35LB
N/A	N/A	L79831617	REPAIR KIT, FLUID - COMPLETE, STD DUTY, 50:1, 120LB
N/A	N/A	L79831618	REPAIR KIT, FLUID - COMPLETE, STD DUTY, 50:1, 400LB
2011	N/A	L791450-003	GREASE PUMP, HEAVY DUTY, 4.5" MOTOR, 40:1, 120LB
2010	N/A	L791450-002	GREASE PUMP, HEAVY DUTY, 4.5" MOTOR, 40:1, 400LB
N/A	N/A	L791450-004	GREASE PUMP, HEAVY DUTY, 4.5" MOTOR, 40:1, BULK TOTE
1908	N/A	L791450-006	GREASE PUMP, HEAVY DUTY, 4.5" MOTOR, 70:1, 120LB
1904	N/A	L791450-005	GREASE PUMP, HEAVY DUTY, 4.5" MOTOR, 70:1, 400LB
N/A	N/A	L791450-007	GREASE PUMP, HEAVY DUTY, 4.5" MOTOR, 70:1, BULK TOTE
2008	N/A	L791450-009	GREASE PUMP, HEAVY DUTY, 6.0" MOTOR, 80:1, 120LB

DISCLAIMER: Lubrication Scientifics, LLC assumes no responsibility for errors or omissions which may have occurred. While every effort is made to attain accurate information, it is ultimately the responsibility of the distributor and/or customer to verify the accuracy of the information.

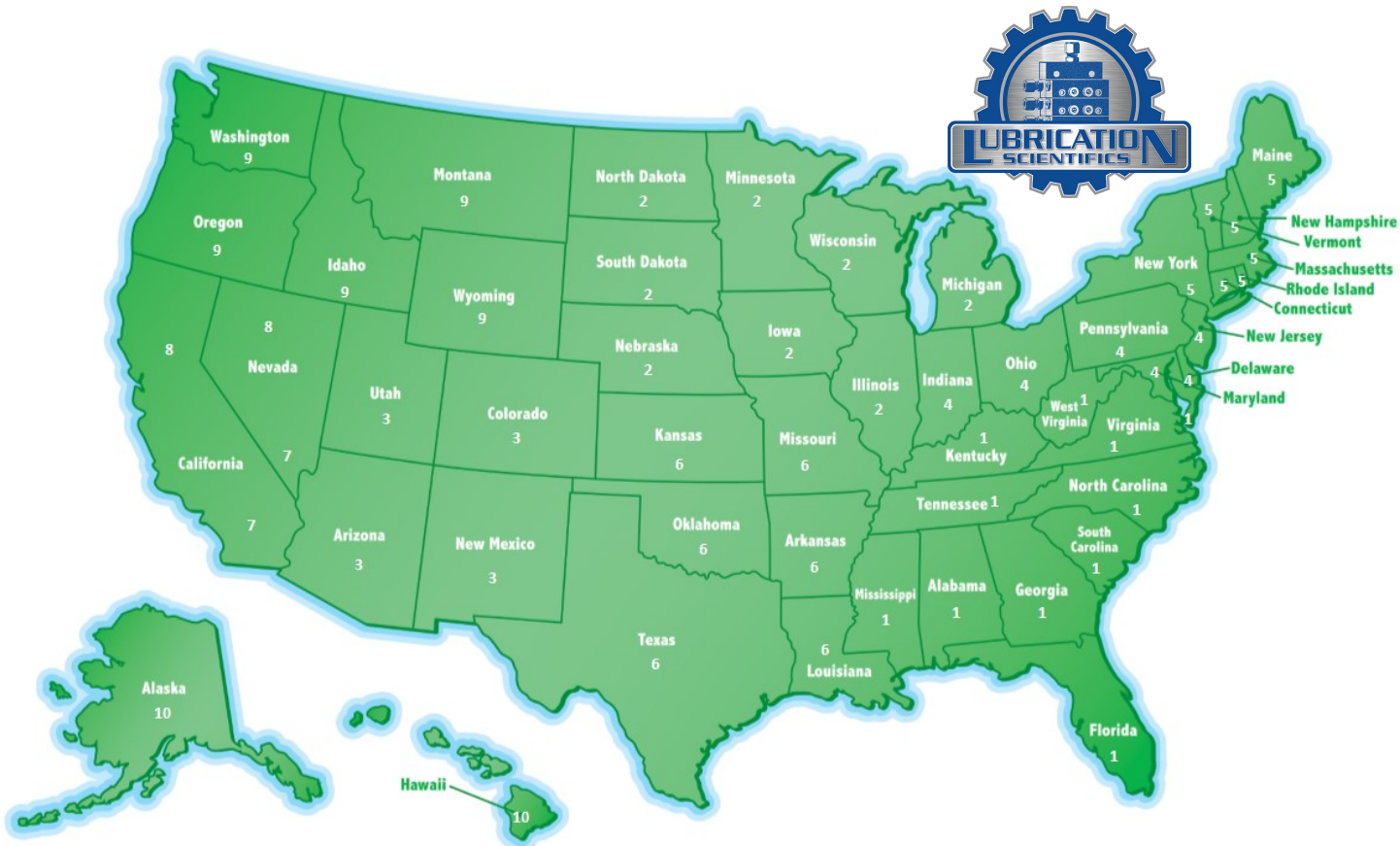
PART NUMBER INTERCHANGE

LINCOLN PART NUMBER	GRACO PART NUMBER	LUBRICATION SCIENTIFICS PART NUMBER	PRODUCT DESCRIPTION
2004	N/A	L791450-008	GREASE PUMP, HEAVY DUTY, 6.0" MOTOR, 80:1, 400LB
81538	N/A	L794420-014	DRUM COVER, HEAVY DUTY SERIES, 4.5" & 6.0" MTR, ALL 120LB
84780	N/A	L794440-017	FOLLOWER, HEAVY DUTY SERIES, 4.5" & 6.0" MTR, ALL 120LB
81412	N/A	L794420-013	DRUM COVER, HEAVY DUTY SERIES, 4.5" & 6.0" MTR, ALL 400LB
83369	N/A	L794440-015	FOLLOWER, HEAVY DUTY SERIES, 4.5" & 6.0" MTR, ALL 400LB
N/A	N/A	L794140058	BUNG ADAPTER, HEAVY DUTY SERIES, MALE CAM LOCK, ALL
N/A	N/A	L794140059	BUNG ADAPTER, HEAVY DUTY SERIES, FEMALE CAM LOCK, ALL
N/A	N/A	L79833409	REPAIR KIT, LOWER SEAL KIT, ALL 40:1 & 80:1 PUMPS
N/A	N/A	L79833410	REPAIR KIT, FOOT VALVE, HEAVY DUTY, ALL 40:1
N/A	N/A	L79833411	REPAIR KIT, UPPER VALVE KIT, ALL 40:1 & 70:1
N/A	N/A	L79833412	REPAIR KIT, AIR MTR SEAL KIT, ALL 40:1 & 70:1
N/A	N/A	L79833413	REPAIR KIT, EXH MUFFLER KIT, ALL HEAVY DUTY 40:1, 70:1, & 80:1
N/A	N/A	L79833414	REPAIR KIT, SPOOLS/SEAL KIT, ALL HEAVY DUTY 40:1, 70:1, & 80:1
N/A	N/A	L79833650	COLLAR/FOLLOWER PLATE, 40:1 400LB, 70:1 120LB & 80:1 120LB
N/A	N/A	L79833598	REPAIR KIT, LOWER SEAL KIT, ALL 70:1 PUMPS
N/A	N/A	L79833599	REPAIR KIT, FOOT VALVE, HEAVY DUTY, ALL 70:1
N/A	N/A	L79833511	REPAIR KIT, AIR MTR SEAL KIT, ALL 6.0" MTR, 80:1
2790	N/A	L791451-004	GREASE PUMP, HEAVY DUTY MECHANICAL RAM SYSTEM, 40:1, 400LB
2716/2010	N/A	L791451-005	GREASE PUMP, HEAVY DUTY MECHANICAL RAM SYSTEM, 70:1, 400LB
2716/2004	N/A	L791451-006	GREASE PUMP, HEAVY DUTY MECHANICAL RAM SYSTEMS, 80:1, 400LB
N/A	N/A	L794450005	BASE FOR GREASE HOIST & MECHANICAL RAM

NOTES

CONTACT US

IN THE USA, FIND YOUR STATE IN THE MAP BELOW, LOOK FOR THE REGION ID NUMBER AND FIND THAT NUMBER IN THE CONTACT INFORMATION CHART.



CONTACT INFORMATION CHART

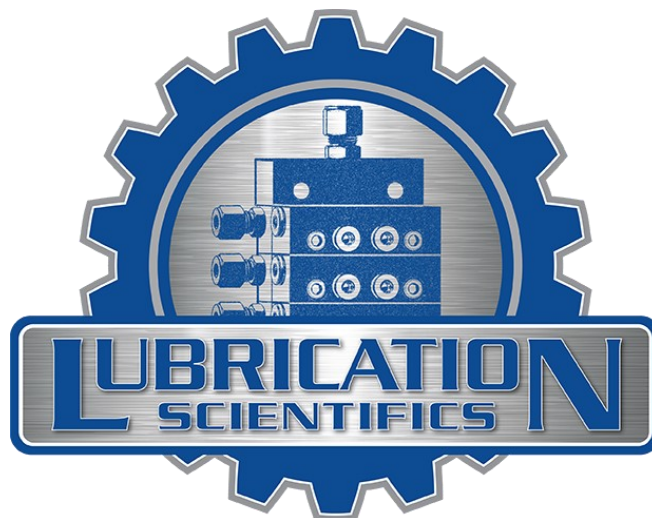
1	Call Factory Direct - 877-452-0157		
2	David Donahue Cell: 414-507-9513 Email: d.donahue@lubricationscientifics.com	Outside of the United States	Call Factory Direct - 877-452-0157
3	Bernie Sauve + El Paso Texas Cell: 210-702-9930 Email: bernie@lubricationscientifics.com	7	Richard Hanley - California - Santa Barbara, Ventura, Los Angeles, Orange, San Bernardino, Riverside, San Diego and Imperial Counties. Nevada - Clark County. Cell: 714-625-5539 Email: rth@lubricationscientifics.com
4	Andy Kromer Cell: 440-364-4721 Email: akclub@lubricationscientifics.com	8	California - All Counties not covered by Richard. Nevada - All Counties except Clark County. Call Factory Direct - 877-452-0157
5	Call Factory Direct - 877-452-0157	9	Call Factory Direct - 877-452-0157
6	Cory Walker Cell: 832-585-7065 Email: c.walker@lubricationscientifics.com	10	Call Factory Direct - 877-452-0157

Customer Service (877-452-0157)

- ◆ Order status & order entry
- ◆ Pricing inquiries
- ◆ Part number look-ups
- ◆ Product availability information
- ◆ Shipment assistance
- ◆ All other general inquires

www.lubricationscientifics.com

- ◆ Product information, specifications, literature
- ◆ Locate sales reps and distributors
- ◆ Operator & Repair manuals
- ◆ Distributer Information
- ◆ Place orders and check current pricing
- ◆ Product Pricing



LUBRICATION SCIENTIFICS, LLC

17651 ARMSTRONG AVE.

IRVINE, CA 92614

UNITED STATES OF AMERICA

TOLL FREE TEL: (877) 452-0157, LOCAL TEL: (714) 557-0664, FAX: (714) 546-4564

WWW.LUBRICATIONSCIENTIFICS.COM