



# MANUAL PUMPS FOR CENTRALIZED LUBRICATION SYSTEMS



SERIES 1 MANUAL PUMP FOR SERIES PROGRESSIVE SYSTEMS



SERIES 2 MANUAL PUMP FOR INJECTOR SYSTEMS

READY FOR IMMEDIATE SHIPMENT

MADE IN



[WWW.LUBRICATIONSCIENTIFICS.COM](http://WWW.LUBRICATIONSCIENTIFICS.COM)

# MANUAL PUMPS FOR CENTRALIZED LUBRICATION SYSTEMS

## PRODUCT DESCRIPTION

MANUAL POWERED OIL AND GREASE PUMPS

AVAILABLE 6 PINT (2.84 LITER) / 6LB (2.72KG), 12 PINT  
(5.68 LITER) / 12LB (5.44KG), 20 PINT (9.46 LITER) /  
20LB (9.06KG) RESERVOIR SIZES

PERFECT FOR IN-PLANT USE AND MACHINERY USE

COMPLETE READY TO USE ALL IN ONE PUMP  
SYSTEMS

## BENEFITS & FEATURES

SINGLE ACTING POSITIVE DISPLACEMENT PUMP IS  
DESIGNED TO MINIMIZE THE NUMBER OF MOVING PARTS  
AND WEAR FOR EXTENDED LIFE AND DECREASED  
MAINTENANCE

OPTIONAL PRESSURE RELIEVE VALVE PROTECTS SYSTEM  
FROM OVERPRESSURE

OPTIONAL OUTLET CHECK VALVE AVOIDS BACKPRESSURE  
FROM CAUSING PUMP FAILURE AND LOWERS THE RISK  
FOR CONTAMINANTS BEING INTRODUCED INTO THE  
LUBRICANT SUPPLY OR PUMP (FOR USE IN SERIES 1 SERIES  
PROGRESSIVE PUMPS ONLY)

WIDE VARIETY OF SYSTEM DESIGNS TAILORED TO  
APPLICATION SPECIFICATIONS

## INDEX

DESCRIPTION	PAGE
SERIES #1 MANUAL PUMP FOR SERIES PROGRESSIVE SYSTEMS	3
SERIES #2 MANUAL PUMP FOR INJECTOR SYSTEMS	4

## READY FOR IMMEDIATE SHIPMENT

MADE IN



SERIES #1 MANUAL PUMP / SERIES PROGRESSIVE SYSTEMS



ATMOSPHERIC RELIEF

\* FOR PUMP DIMENSIONS SEE PAGE 5

SERIES #1 MANUAL GREASE PUMP & RESERVOIR DESCRIPTION	PART NUMBER
SERIES 1 PUMP WITH 6LB GREASE RESERVOIR	LMNP-001-06G
SERIES 1 PUMP WITH 12LB GREASE RESERVOIR	LMNP-001-12G
SERIES 1 PUMP WITH 20LB GREASE RESERVOIR	LMNP-001-20G

SERIES #1 MANUAL OIL PUMP & RESERVOIR DESCRIPTION	PART NUMBER
SERIES 1 PUMP WITH 6PT OIL RESERVOIR	LMNP-001-06O
SERIES 1 PUMP WITH 12PT OIL RESERVOIR	LMNP-001-12O
SERIES 1 PUMP WITH 20PT OIL RESERVOIR	LMNP-001-20O

BARE SERIES #1 MANUAL PUMP, NO RESERVOIR	PART NUMBER
BARE SERIES 1 PUMP, WITHOUT RESERVOIR	LMNP-001

MANUFACTURED WITH STEEL AND ALUMINUM COMPONENTS LUBRICATION SCIENTIFICS INDUSTRY LEADING STANDARDS OF QUALITY AND DURABILITY. AVAILABLE FOR EITHER OIL OR GREASE APPLICATIONS. MANUAL PUMPS ARE CUSTOMIZABLE FOR A WIDE VARIETY OF APPLICATION USES.

**FLUIDS / TECHNICAL DATA**

- OIL AND GREASE
- PUMP OUTPUT: 0.16 CUIN / 2.6 CC
- MAXIMUM OPERATING PRESSURE: 3,000 PSI / 207 BAR
- HIGH PRESSURE RELIEF VALVE: 2,500 PSI / 172 BAR
- RESERVOIR CAPACITIES: 6 PINT / 2.84 LITER, 6LB / 2.72KG, 12 PINT / 5.68 LITER, 12LB / 5.44KG, 20 PINT / 9.46 LITER, AND 20LB / 9.06KG
- FORCE TO HANDLE: 29LB / 13.14KG PER 1,000 PSI / 69 BAR @ RATED PRESSURE

**APPLICATIONS**

- IN-PLANT EQUIPMENT AND MACHINERY

SERIES #1 MANUAL GREASE/OIL PUMP ACCESSORY DESCRIPTION	PART NUMBER
PRESSURE GAUGE	LCB-15-6K-2
PRESSURE RELIEF VALVE	L5082500-NPTF
FILL STUD	L5215-H262

SERIES #2 MANUAL PUMP / INJECTOR SYSTEMS



\* FOR PUMP DIMENSIONS SEE PAGE 5

SERIES #2 MANUAL GREASE PUMP & RESERVOIR DESCRIPTION	PART NUMBER
SERIES 1 PUMP WITH 6LB GREASE RESERVOIR	LMNP-002-06G
SERIES 1 PUMP WITH 12LB GREASE RESERVOIR	LMNP-002-12G
SERIES 1 PUMP WITH 20LB GREASE RESERVOIR	LMNP-002-20G

SERIES #2 MANUAL OIL PUMP & RESERVOIR DESCRIPTION	PART NUMBER
SERIES 1 PUMP WITH 6PT OIL RESERVOIR	LMNP-002-06O
SERIES 1 PUMP WITH 12PT OIL RESERVOIR	LMNP-002-12O
SERIES 1 PUMP WITH 20PT OIL RESERVOIR	LMNP-002-20O

BARE SERIES #2 MANUAL PUMP, NO RESERVOIR	PART NUMBER
BARE SERIES 1 PUMP, WITHOUT RESERVOIR	LMNP-002

MANUFACTURED WITH STEEL AND ALUMINUM COMPONENTS LUBRICATION SCIENTIFICS INDUSTRY LEADING STANDARDS OF QUALITY AND DURABILITY. AVAILABLE FOR EITHER OIL OR GREASE APPLICATIONS. MANUAL PUMPS ARE CUSTOMIZABLE FOR A WIDE VARIETY OF APPLICATION USES.

**FLUIDS / TECHNICAL DATA**

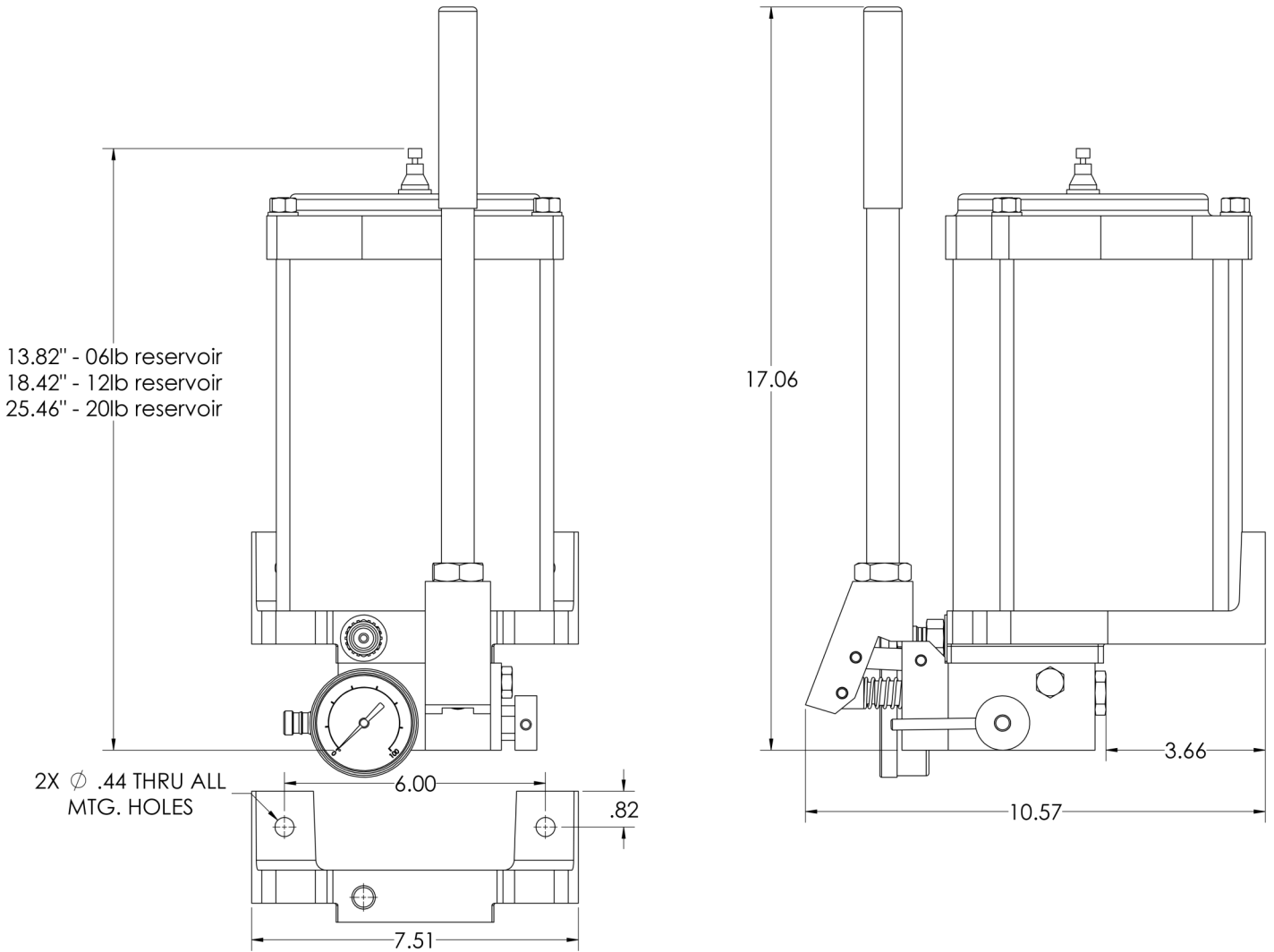
- OIL AND GREASE
- PUMP OUTPUT: 0.16 CUIN / 2.6 CC
- MAXIMUM OPERATING PRESSURE: 3,000 PSI / 207 BAR
- HIGH PRESSURE RELIEF VALVE: 2,500 PSI / 172 BAR
- RESERVOIR CAPACITIES: 6 PINT / 2.84 LITER, 6LB / 2.72KG, 12 PINT / 5.68 LITER, 12LB / 5.44KG, 20 PINT / 9.46 LITER, AND 20LB / 9.06KG
- FORCE TO HANDLE: 29LB / 13.14KG PER 1,000 PSI / 69 BAR @ RATED PRESSURE

**APPLICATIONS**

- IN-PLANT EQUIPMENT AND MACHINERY

SERIES #2 MANUAL GREASE/OIL PUMP ACCESSORY DESCRIPTION	PART NUMBER
PRESSURE GAUGE	LCB-15-6K-2
PRESSURE RELIEF VALVE	L5082500-NPTF
FILL STUD	L5215-H262

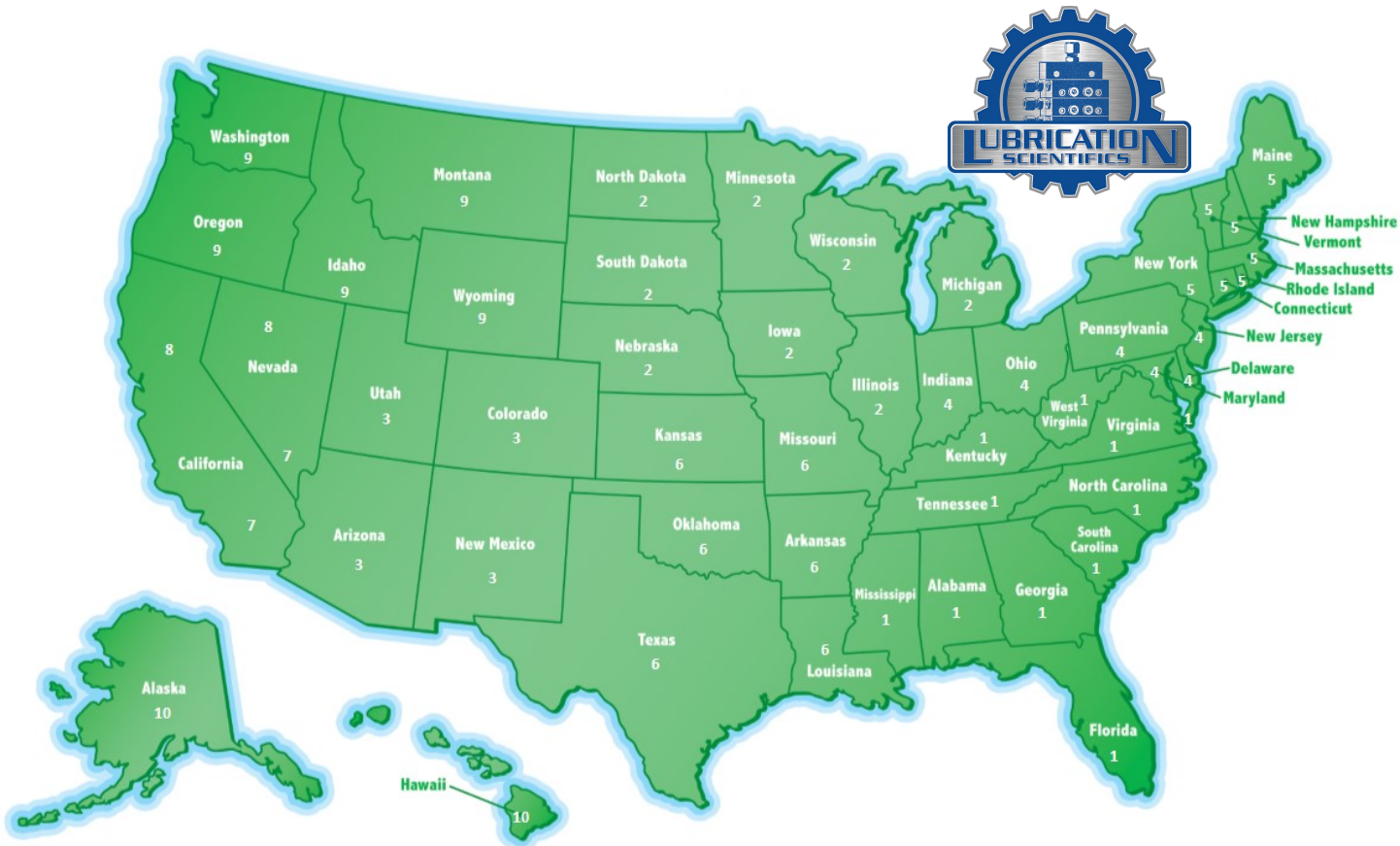
MANUAL PUMP DIMENSIONS





CONTACT US

IN THE USA, FIND YOUR STATE IN THE MAP BELOW, LOOK FOR THE REGION ID NUMBER AND FIND THAT NUMBER IN THE CONTACT INFORMATION CHART.



CONTACT INFORMATION CHART

1	Call Factory Direct - 877-452-0157		
2	David Donahue Cell: 414-507-9513 Email: d.donahue@lubricationscientifics.com	Outside of the United States	Call Factory Direct - 877-452-0157
3	Bernie Sauve + El Paso Texas Cell: 210-702-9930 Email: bernie@lubricationscientifics.com	7	Richard Hanley - <b>California</b> - Santa Barbara, Ventura, Los Angeles, Orange, San Bernardino, Riverside, San Diego and Imperial Counties. <b>Nevada</b> - Clark County. Cell: 714-625-5539 Email: rth@lubricationscientifics.com
4	Andy Kromer Cell: 440-364-4721 Email: akclub@lubricationscientifics.com	8	<b>California</b> - All Counties not covered by Richard. <b>Nevada</b> - All Counties except Clark County. Call Factory Direct - 877-452-0157
5	Call Factory Direct - 877-452-0157	9	Call Factory Direct - 877-452-0157
6	Cory Walker Cell: 832-585-7065 Email: c.walker@lubricationscientifics.com	10	Call Factory Direct - 877-452-0157

**Customer Service (877-452-0157)**

- ◆ Order status & order entry
- ◆ Pricing inquiries
- ◆ Part number look-ups
- ◆ Product availability information
- ◆ Shipment assistance
- ◆ All other general inquires

**www.lubricationscientifics.com**

- ◆ Product information, specifications, literature
- ◆ Locate sales reps and distributors
- ◆ Operator & Repair manuals
- ◆ Distributer Information
- ◆ Place orders and check current pricing
- ◆ Product Pricing

**Technical Assistance**

Coming Soon



LUBRICATION SCIENTIFICS, LLC

17651 ARMSTRONG AVE.

IRVINE, CA 92614

UNITED STATES OF AMERICA

TOLL FREE TEL: (877) 452-0157, LOCAL TEL: (714) 557-0664, FAX: (714) 546-4564

**WWW.LUBRICATIONSCIENTIFICS.COM**