

MDL SERIES DUAL LINE VALVES

THE RIGHT PRODUCTS. THE RIGHT VALUES. THE RIGHT CHOICE.



MODULAR DUAL LINE VALVES MDL SERIES

PRODUCT DESCRIPTION

DESIGNED FOR HEAVY DUTY GREASE OR OIL APPLICATIONS

CORROSIVE RESISTANT CARBON STEEL PRODUCTS AVAILABLE

NPTF AND BSPP SUPPLY AND OUTLET CONNECTIONS
AVAILABLE

MODULAR DUAL LINE HAS ADJUSTABLE OUTPUTS

IDEAL CHOICE FOR USE ON AUTOMATIC LUBRICATION
SYSTEMS WITH LARGE NUMBER OF LUBE POINTS REQUIRING
VARYING LUBE QUANTITIES AT VARIOUS POINTS

AIR-OIL CONFIGURATION READY

ALL UNITS ARE TESTED FOR ZERO LEAK OPERATION

BENEFITS & FEATURES

IDEAL FOR THOUSANDS OF POINTS OVER LONG
DISTANCES

EASE OF DESIGN, POINTS CAN EASILY BE
ADDED OR REMOVED

ALL LUBRICANT POINTS CAN BE INDIVIDUALLY
ADJUSTED

WORKS WITH LIGHT OIL TO NLGI 2
A SINGLE BLOCKAGE DOES NOT SHUT DOWN
ENTIRE SYSTEM

SUITABLE FOR HEAVY INDUSTRIES SUCH AS
STEEL, PAPER & PULP, CEMENT
MANUFACTURING, MINING, MINERAL
PROCESSING, POWER GENERATION, & METAL
WORKING PLANTS

READY FOR IMMEDIATE SHIPMENT

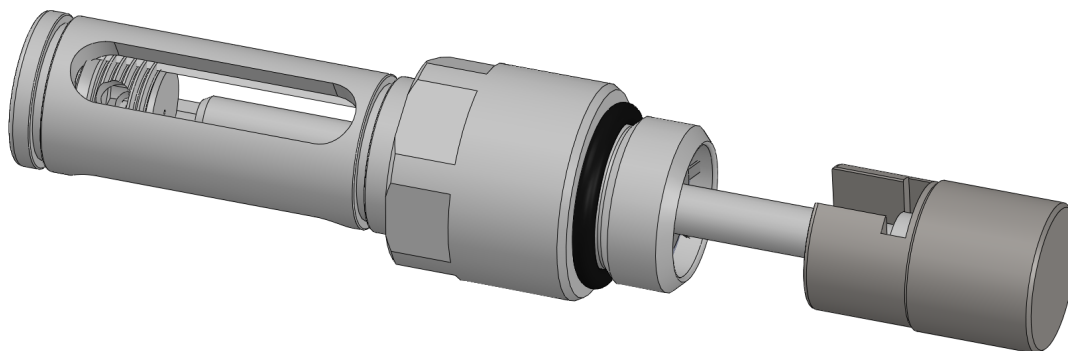
MADE IN



WWW.LUBRICATIONSCIENTIFICS.COM

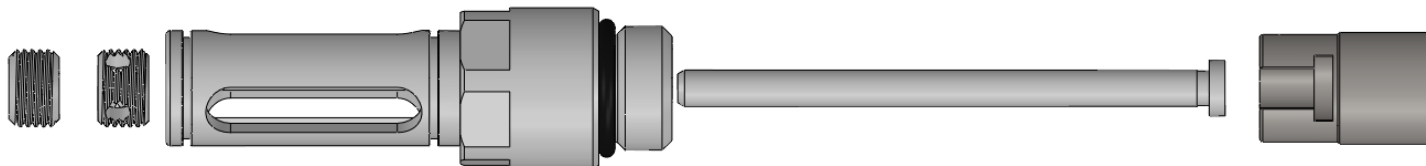
MDL

PISTON/INDICATOR TOWER ASSEMBLY



INDICATOR TOWER PERFORMANCE FEATURES

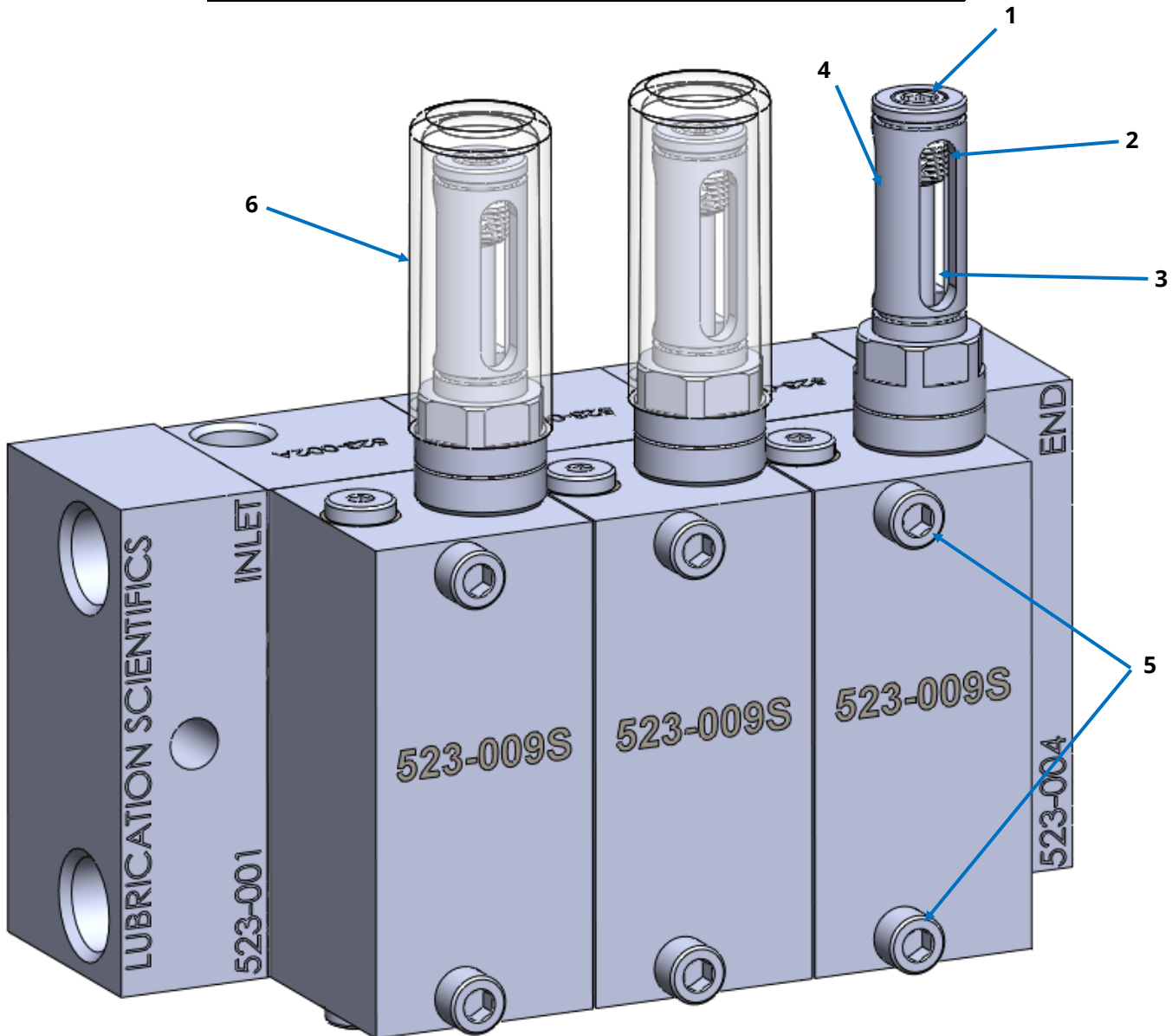
- **PISTON: TWO PIECE "FLOATING PIN" DESIGN**
(PREVENTS PREMATURE GLAND LEAKS)
- **ROBUST ONE PIECE TOWER BODY**
(ABLE TO WITHSTAND ABUSE FROM HARSH ENVIRONMENTS)
- **PORTED JAMB SCREW**
(FACILITATES LOCKING OF ADJUSTMENT)



MDL

STANDARD UPGRADES

DUAL LINE STANDARD UPGRADE	
ITEM	DESCRIPTION
1	ADJUSTMENT JAMB SCREW 303 SS
2	PORTED ADJUSTMENT JAMB SCREW 303 SS
3	INDICATOR PIN 303 SS
4	INDICATOR TOWER 303 SS
5	STAINLESS STEEL HARDWARE
6	VINYL INDICATOR COVER



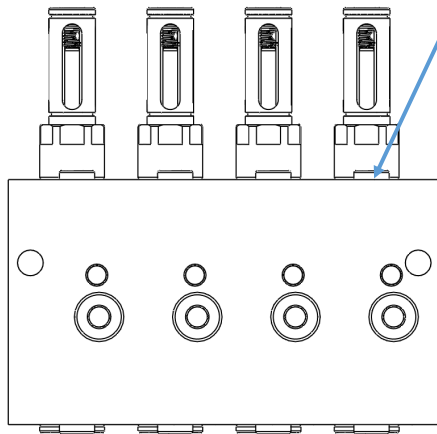


The Modular Dual Line Advantage

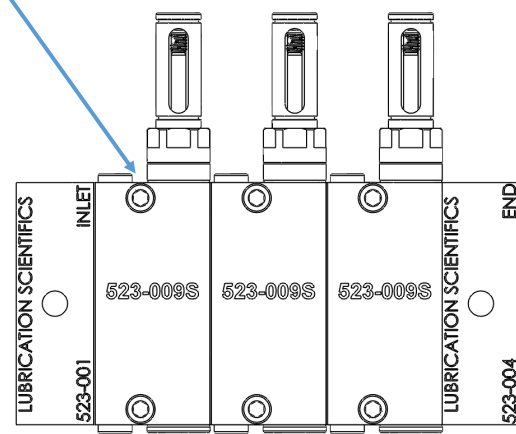


Valve Section

INDUSTRY STANDARD COST	\$455.00
2 HOUR RE-PLACEMENT @ \$75.00/HR	\$150.00
TOTAL	\$605.00



TRADITIONAL DUAL LINE



MODULAR DUAL LINE

LS MDL COST	\$104.28
5 MINUTE REPLACE-MENT @ \$75.00/HR	\$7.50
TOTAL	\$111.78

Dual Line lubrication systems are a proven way to supply adequate lubrication to bearing points. However, Traditional Dual Line valves suffer from the inability to repair individual sections in the event of failure. If the failure occurs in a traditional valve with 8 points, it can take anywhere from 1 to 3 hours to replace the section, and there is no guarantee the 12 lines that have been reused will seal properly. With Modular Dual Line, you can replace individual valve sections without having to remove the entire assembly. The valve sections on the modular style can be replaced in about 5 minutes and can be completed without ever removing the lines from the base assembly. Not only does this save on maintenance time, it also reduces troubleshooting time. Modular Dual Line is a cost effective solution for Dual Line systems as it will reduce down time and makes maintenance quicker and simpler.



LUBRICATION SCIENTIFICS, LLC
 17651 ARMSTRONG AVE.
 IRVINE, CA 92614
 UNITED STATES OF AMERICA

TOLL FREE TEL: (877) 452-0157, LOCAL TEL: (714) 557-0664, FAX: (714) 546-4564

WWW.LUBRICATIONSCIENTIFICS.COM

ORDERING INFORMATION

INLET SECTION		
PART NUMBER	DESCRIPTION	THREAD
523-001	MODULAR DUAL LINE CRS INLET SECTION NPSF	3/8"-18 NPSF
523-001M	MODULAR DUAL LINE CRS INLET SECTION BSPP	3/8"-19 BSPP
SS523-001	MODULAR DUAL LINE 316 STAINLESS STEEL INLET SECTION NPSF	3/8"-18 NPSF
SS523-001M	MODULAR DUAL LINE 316 STAINLESS STEEL INLET SECTION BSPP	3/8"-19 BSPP
INTERMEDIATE SECTION (MUST ALTERNATE "A"&"B" SECTIONS)		
523-002A	MODULAR DUAL LINE CRS INTERMEDIATE "A" NPSF	1/4"-18 NPSF
523-002A-M	MODULAR DUAL LINE CRS INTERMEDIATE "A" BSPP	1/4"-19 BSPP
523-002B	MODULAR DUAL LINE CRS INTERMEDIATE "B" NPSF	1/4"-18 NPSF
523-002B-M	MODULAR DUAL LINE CRS INTERMEDIATE "B" BSPP	1/4"-19 BSPP
SS523-002A	MODULAR DUAL LINE 316 STAINLESS STEEL INTERMEDIATE "A" NPSF	1/4"-18 NPSF
SS523-002A-M	MODULAR DUAL LINE 316 STAINLESS STEEL INTERMEDIATE "A" BSPP	1/4"-19 BSPP
SS523-002B	MODULAR DUAL LINE 316 STAINLESS STEEL INTERMEDIATE "B" NPSF	1/4"-18 NPSF
SS523-002B-M	MODULAR DUAL LINE 316 STAINLESS STEEL INTERMEDIATE "B" BSPP	1/4"-19 BSPP
END SECTION		
523-004	MODULAR DUAL LINE CRS END SECTION NPSF	3/8"-18 NPSF
523-004M	MODULAR DUAL LINE CRS END SECTION BSPP	3/8"-19 BSPP
SS523-004	MODULAR DUAL LINE 316 STAINLESS STEEL END SECTION NPSF	3/8"-18 NPSF
SS523-004M	MODULAR DUAL LINE 316 STAINLESS STEEL END SECTION BSPP	3/8"-19 BSPP

VALVE SECTION	
PART NUMBER	DESCRIPTION
523-009S	MODULAR DUAL LINE CRS VALVE SECTION
SS523-009	MODULAR DUAL LINE 316 STAINLESS STEEL VALVE SECTION
BRIDGE SECTION (RECOMMENDED TO BE USED WHEN ASSEMBLY EXCEEDS 4 SECTIONS)	
523-003	MODULAR DUAL LINE CRS BRIDGE SECTION
SS523-003	MODULAR DUAL LINE 316 STAINLESS STEEL BRIDGE SECTION

CONTACT US
SERVICING ALL 50 STATES AND ALL INTERNATIONAL TERRITORIES. TO FIND A SALES REP IN YOUR AREA PLEASE CONTACT OUR MAIN OFFICE.



Customer Service (877-452-0157)

- ◆ Order status & order entry
- ◆ Pricing inquiries
- ◆ Part number look-ups
- ◆ Product availability information
- ◆ Shipment assistance
- ◆ All other general inquires

www.lubricationscientifics.com

- ◆ Product information, specifications, literature
- ◆ Locate sales reps and distributors
- ◆ Operator & Repair manuals
- ◆ Distributer Information
- ◆ Place orders and check current pricing
- ◆ Product Pricing



LUBRICATION SCIENTIFICS, LLC
17651 ARMSTRONG AVE.
IRVINE, CA 92614
UNITED STATES OF AMERICA

TOLL FREE TEL: (877) 452-0157, LOCAL TEL: (714) 557-0664, FAX: (714) 546-4564

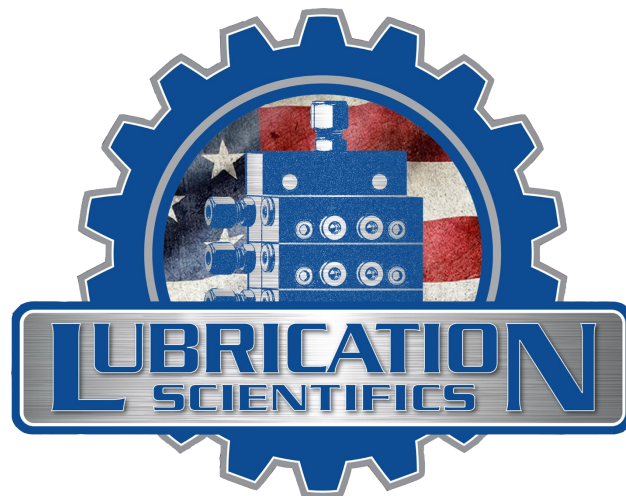
WWW.LUBRICATIONSCIENTIFICS.COM

Customer Service (877-452-0157)

- ◆ Order status & order entry
- ◆ Pricing inquiries
- ◆ Part number look-ups
- ◆ Product availability information
- ◆ Shipment assistance
- ◆ All other general inquires

www.lubricationscientifics.com

- ◆ Product information, specifications, literature
- ◆ Locate sales reps and distributors
- ◆ Operator & Repair manuals
- ◆ Distributer Information
- ◆ Place orders and check current pricing
- ◆ Product Pricing



LUBRICATION SCIENTIFICS, LLC

17651 ARMSTRONG AVE.

IRVINE, CA 92614

UNITED STATES OF AMERICA

TOLL FREE TEL: (877) 452-0157, LOCAL TEL: (714) 557-0664, FAX: (714) 546-4564

WWW.LUBRICATIONSCIENTIFICS.COM