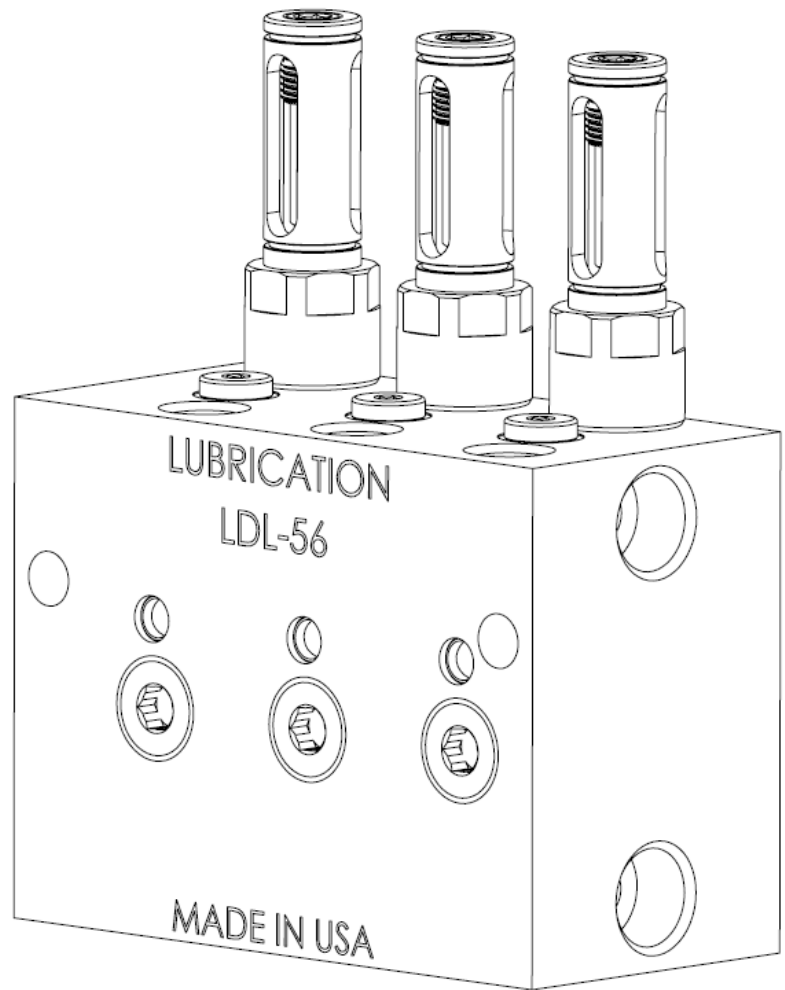




**LDL SERIES
DUAL LINE VALVES**



THE RIGHT PRODUCTS. THE RIGHT VALUES. THE RIGHT CHOICE.



DUAL LINE VALVES LDL SERIES

PRODUCT DESCRIPTION

DESIGNED FOR HEAVY DUTY GREASE OR OIL APPLICATIONS

CORROSIVE RESISTANT CARBON STEEL PRODUCTS AVAILABLE

NPTF AND BSPP SUPPLY AND OUTLET CONNECTIONS
AVAILABLE

TRADITIONAL DUAL LINE HAS ADJUSTABLE OUTPUTS

IDEAL CHOICE FOR USE ON AUTOMATIC LUBRICATION
SYSTEMS WITH LARGE NUMBER OF LUBE POINTS REQUIRING
VARYING LUBE QUANTITIES AT VARIOUS POINTS

AIR-OIL CONFIGURATION READY

ALL UNITS ARE TESTED FOR ZERO LEAK OPERATION

BENEFITS & FEATURES

IDEAL FOR THOUSANDS OF POINTS OVER LONG
DISTANCES

EASE OF DESIGN, POINTS CAN EASILY BE
ADDED OR REMOVED

ALL LUBRICANT POINTS CAN BE INDIVIDUALLY
ADJUSTED

WORKS WITH LIGHT OIL TO NLGI 2
A SINGLE BLOCKAGE DOES NOT SHUT DOWN
ENTIRE SYSTEM

SUITABLE FOR HEAVY INDUSTRIES SUCH AS
STEEL, PAPER & PULP, CEMENT
MANUFACTURING, MINING, MINERAL
PROCESSING, POWER GENERATION, & METAL
WORKING PLANTS

READY FOR IMMEDIATE SHIPMENT

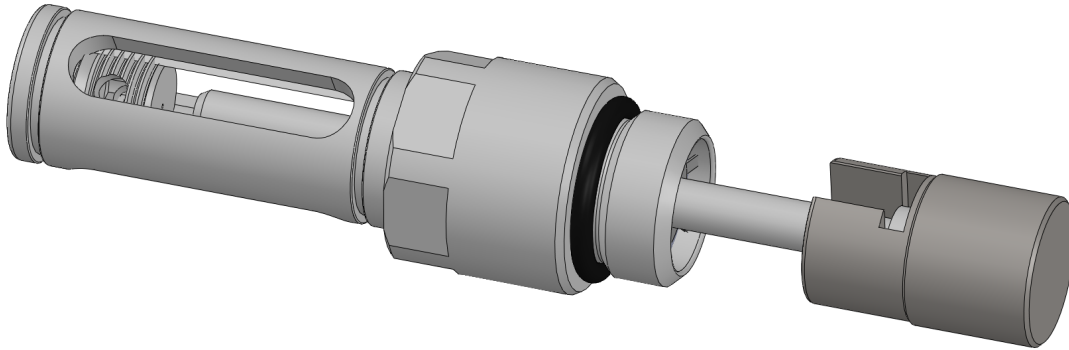
MADE IN



WWW.LUBRICATIONSCIENTIFICS.COM

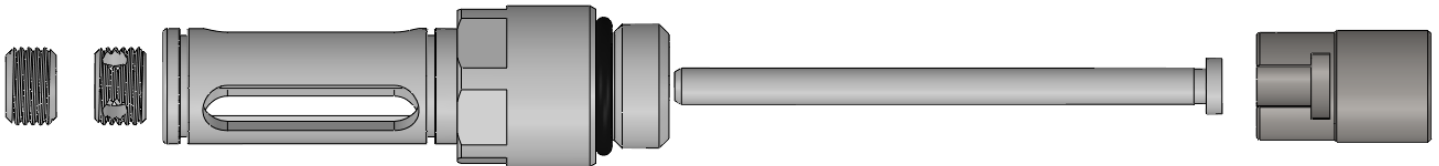
LDL

PISTON/INDICATOR TOWER ASSEMBLY



INDICATOR TOWER PERFORMANCE FEATURES

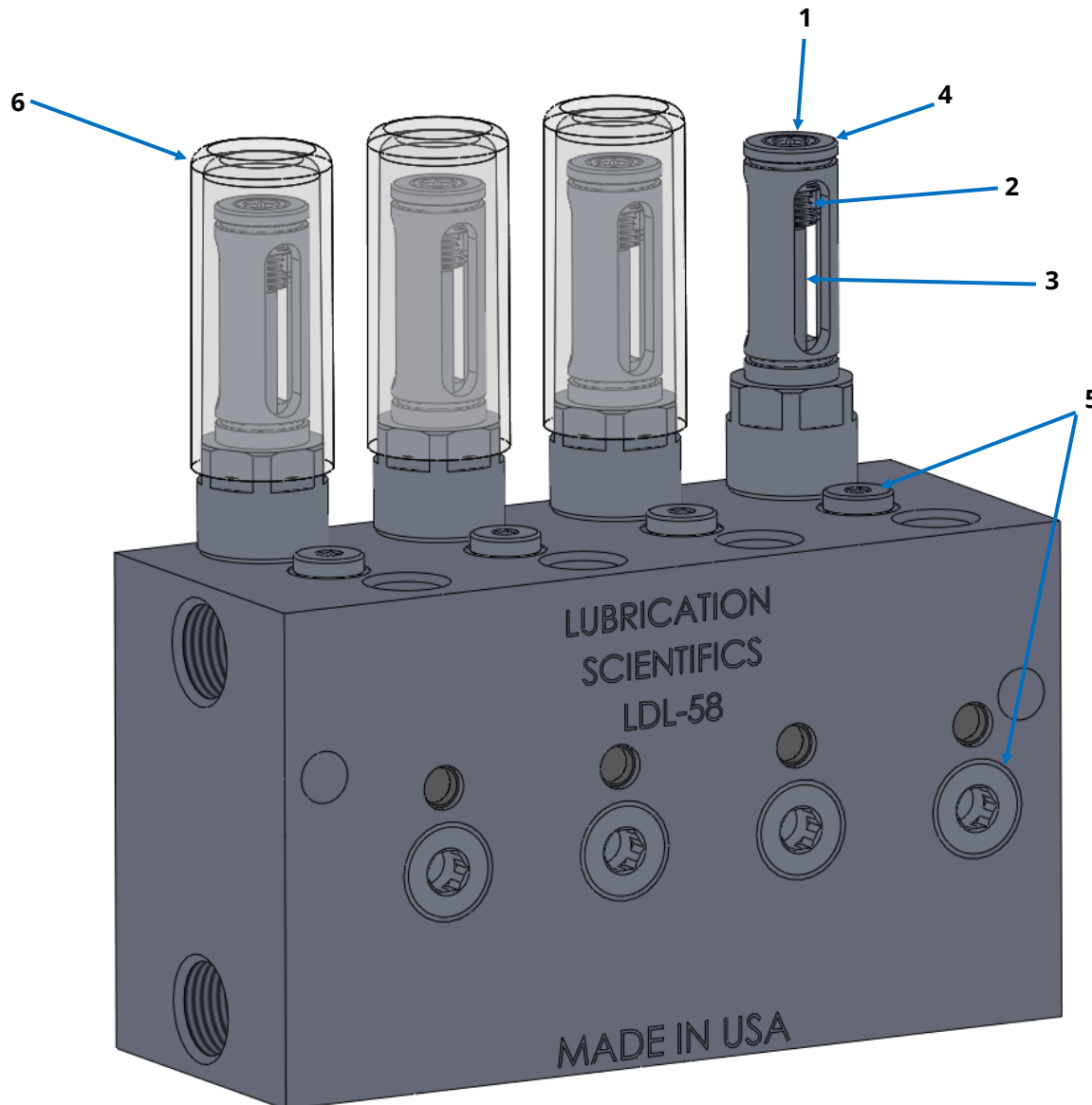
- **PISTON: TWO PIECE "FLOATING PIN" DESIGN**
(PREVENTS PREMATURE GLAND LEAKS)
- **ROBUST ONE PIECE TOWER BODY**
(ABLE TO WITHSTAND ABUSE FROM HARSH ENVIRONMENTS)
- **PORTED JAMB SCREW**
(FACILITATES LOCKING OF ADJUSTMENT)



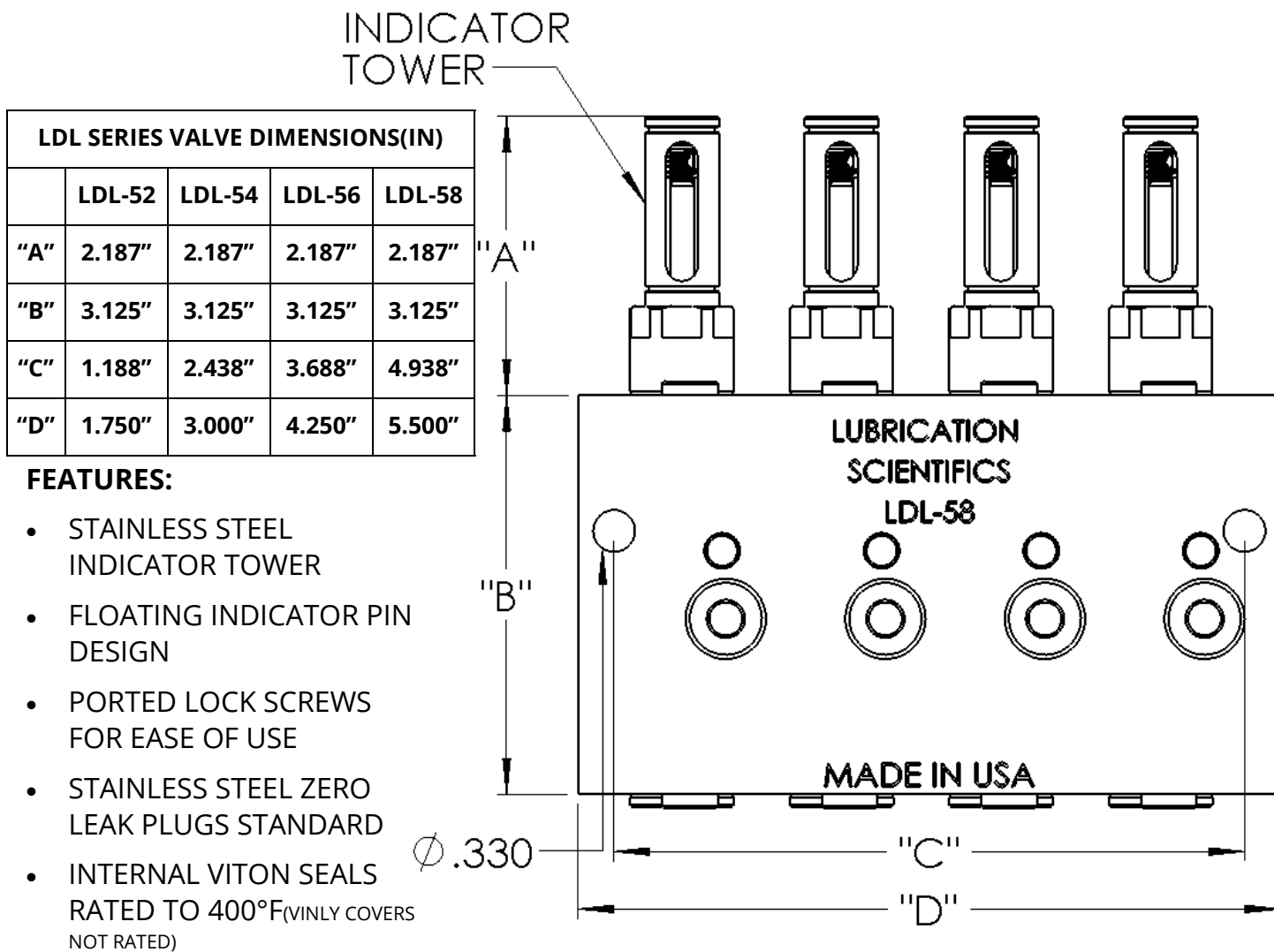
LDL

STANDARD UPGRADES

DUAL LINE STANDARD UPGRADE	
ITEM	DESCRIPTION
1	ADJUSTMENT JAMB SCREW 303 SS
2	PORTED ADJUSTMENT JAMB SCREW 303 SS
3	INDICATOR PIN 303 SS
4	INDICATOR TOWER 303 SS
5	ZERO LEAK 303 SS PLUGS
6	VINYL INDICATOR COVER



LDL SERIES VALVES



	OUTLETS	OUTLET SIZE	INLET SIZE	OUTPUT PER STROKE	MAXIMUM OPERATING PRESSURE	MAXIMUM OPERATING TEMPERATURE
LDL-52(H)	2	1/4" NPSF (BSPP)	3/8" NPSF (BSPP)	.01in ³ -.3in ³	5000PSI	400°F
LDL-54(H)	4					
LDL-56(H)	6					
LDL-58(H)	8					

*FOR BSPP PORTS, ADD "H" SUFFIX TO PART NUMBER (e.g. LDL-54H)

CONTACT US
SERVICING ALL 50 STATES AND ALL INTERNATIONAL TERRITORIES. TO FIND A SALES REP IN YOUR AREA PLEASE CONTACT OUR MAIN OFFICE.



Customer Service (877-452-0157)

- ◆ Order status & order entry
- ◆ Pricing inquiries
- ◆ Part number look-ups
- ◆ Product availability information
- ◆ Shipment assistance
- ◆ All other general inquires

www.lubricationscientifics.com

- ◆ Product information, specifications, literature
- ◆ Locate sales reps and distributors
- ◆ Operator & Repair manuals
- ◆ Distributer Information
- ◆ Place orders and check current pricing
- ◆ Product Pricing



LUBRICATION SCIENTIFICS, LLC
17651 ARMSTRONG AVE.
IRVINE, CA 92614
UNITED STATES OF AMERICA

TOLL FREE TEL: (877) 452-0157, LOCAL TEL: (714) 557-0664, FAX: (714) 546-4564

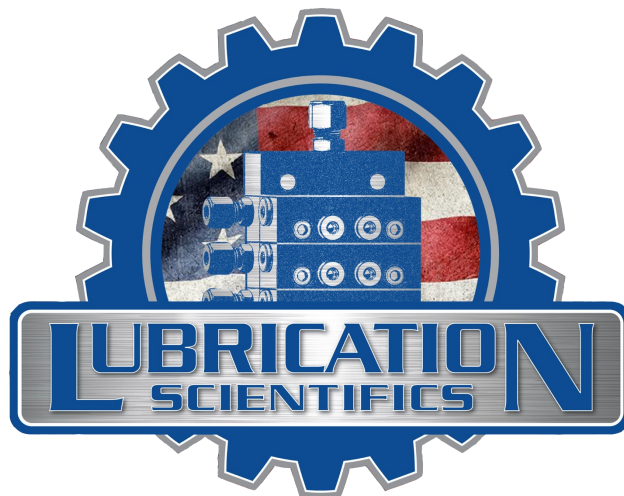
WWW.LUBRICATIONSCIENTIFICS.COM

Customer Service (877-452-0157)

- ◆ Order status & order entry
- ◆ Pricing inquiries
- ◆ Part number look-ups
- ◆ Product availability information
- ◆ Shipment assistance
- ◆ All other general inquires

www.lubricationscientifics.com

- ◆ Product information, specifications, literature
- ◆ Locate sales reps and distributors
- ◆ Operator & Repair manuals
- ◆ Distributer Information
- ◆ Place orders and check current pricing
- ◆ Product Pricing



LUBRICATION SCIENTIFICS, LLC

17651 ARMSTRONG AVE.

IRVINE, CA 92614

UNITED STATES OF AMERICA

TOLL FREE TEL: (877) 452-0157, LOCAL TEL: (714) 557-0664, FAX: (714) 546-4564

WWW.LUBRICATIONSCIENTIFICS.COM