

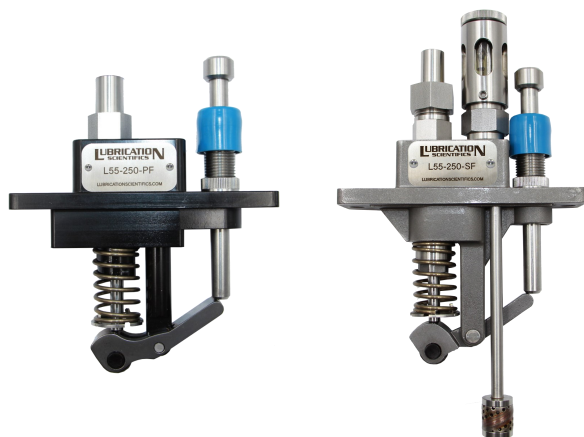
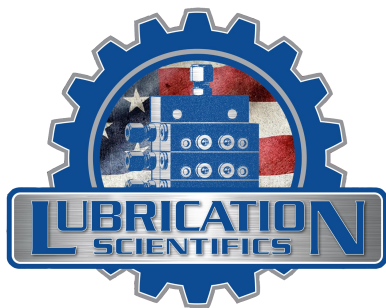
LUBRICATION SCIENTIFICS, LLC

THE RIGHT PRODUCTS. THE RIGHT VALUES. THE RIGHT CHOICE.



BOX LUBRICATION PUMPS

DROP IN REPLACEMENTS—PRESSURE FED—SUCTION FED



L55 LUBRICATION BOX PUMPS

PRODUCT DESCRIPTION

POSITIVE DISPLACEMENT, SINGLE-ACTION,
FULLY ADJUSTABLE PUMP

1/4" & 3/8" PLUNGER SIZES AVAILABLE

WEATHER PROOF, CORROSION RESISTANT

COMPATIBLE WITH A RANGE OF CAM SHAFT SPEEDS

USED FOR OIL APPLICATIONS

BENEFITS & FEATURES

EASILY ADJUSTABLE OUTPUT

MANUAL ACTUATION ROD FOR AIR PURGE

PLATED STEEL BODY WITH STAINLESS STEEL
COMPONENTS

ONE PIECE 303 STAINLESS STEEL BODY(SUCTION
MODELS ONLY)

HARDENED COMPONENTS FOR HIGH PRESSURE
APPLICATIONS

DIRECT REPLACEMENT & RETROFIT FOR MANY LUBE
BOXES

PUMP MODELS CAN BE CONFIGURED FOR EITHER
SUCTION PUMP OR GRAVITY FED OPERATION

READY FOR IMMEDIATE SHIPMENT

MADE IN



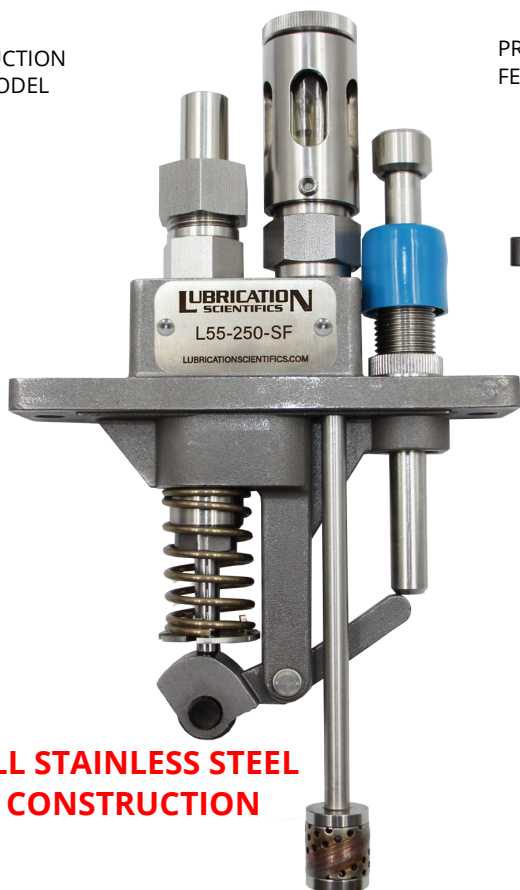
WWW.LUBRICATIONSCIENTIFICS.COM

ORDERING INFORMATION & PART NUMBERS

PUMPS, BOXES, GASKETS, & SEALS

STANDARD PACK: 1 EACH			
PRODUCT DESCRIPTION	MAX DISPLACEMENT PER STROKE	PRESSURE (PSI/ BAR)	PART NUMBER
3/16" M55, SUCTION FEED	.010 CU.IN .163 CC	7500 / 517	L55-187-SF
1/4" M55, SUCTION FEED	.018 CU. IN. .294 CC	6500 / 448	L55-250-SF
3/8" M55, SUCTION FEED	.041 CU.IN. .671 CC	3500 / 241	L55-375-SF
3/16" M55, PRESSURE FEED	.010 CU.IN .163 CC	7500 / 517	L55-187-PF
1/4" M55, PRESSURE FEED	.018 CU. IN. .294 CC	6500 / 448	L55-250-PF
3/8" M55, PRESSURE FEED	.041 CU. IN. .671 CC	3500 / 241	L55-375-PF
GASKET, BOX LUBRICATOR BOX	N/A	N/A	1225-027
BOX PUMP VITON UMBRELLA SEAL VSS-302	N/A	N/A	1225-017

SUCTION
MODEL



**ALL STAINLESS STEEL
CONSTRUCTION**

PRESSURE
FED MODEL

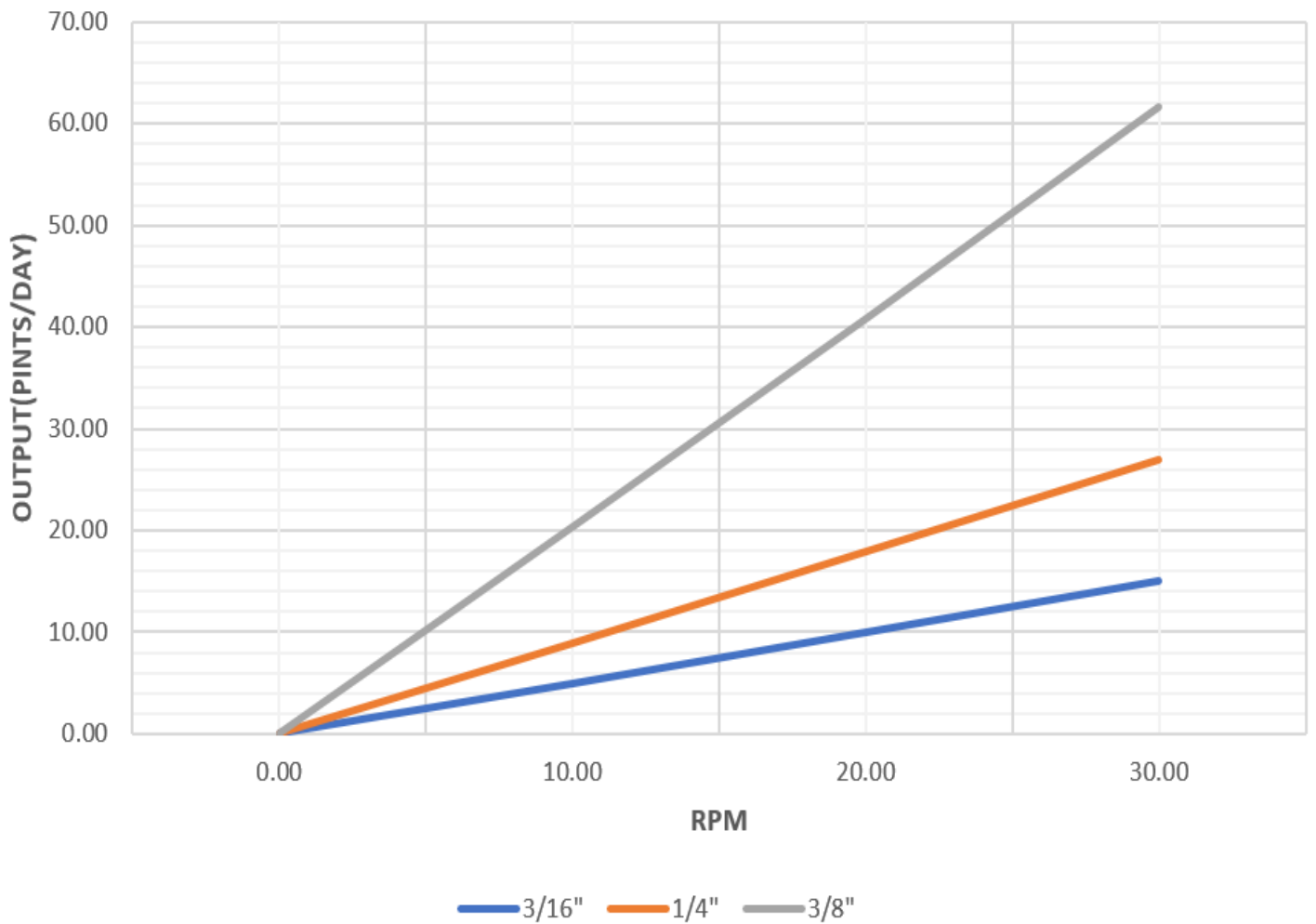


**INLET PRESSURE
MIN 10 PSI / .69 BAR
MAX 20 PSI / 1.38 BAR**

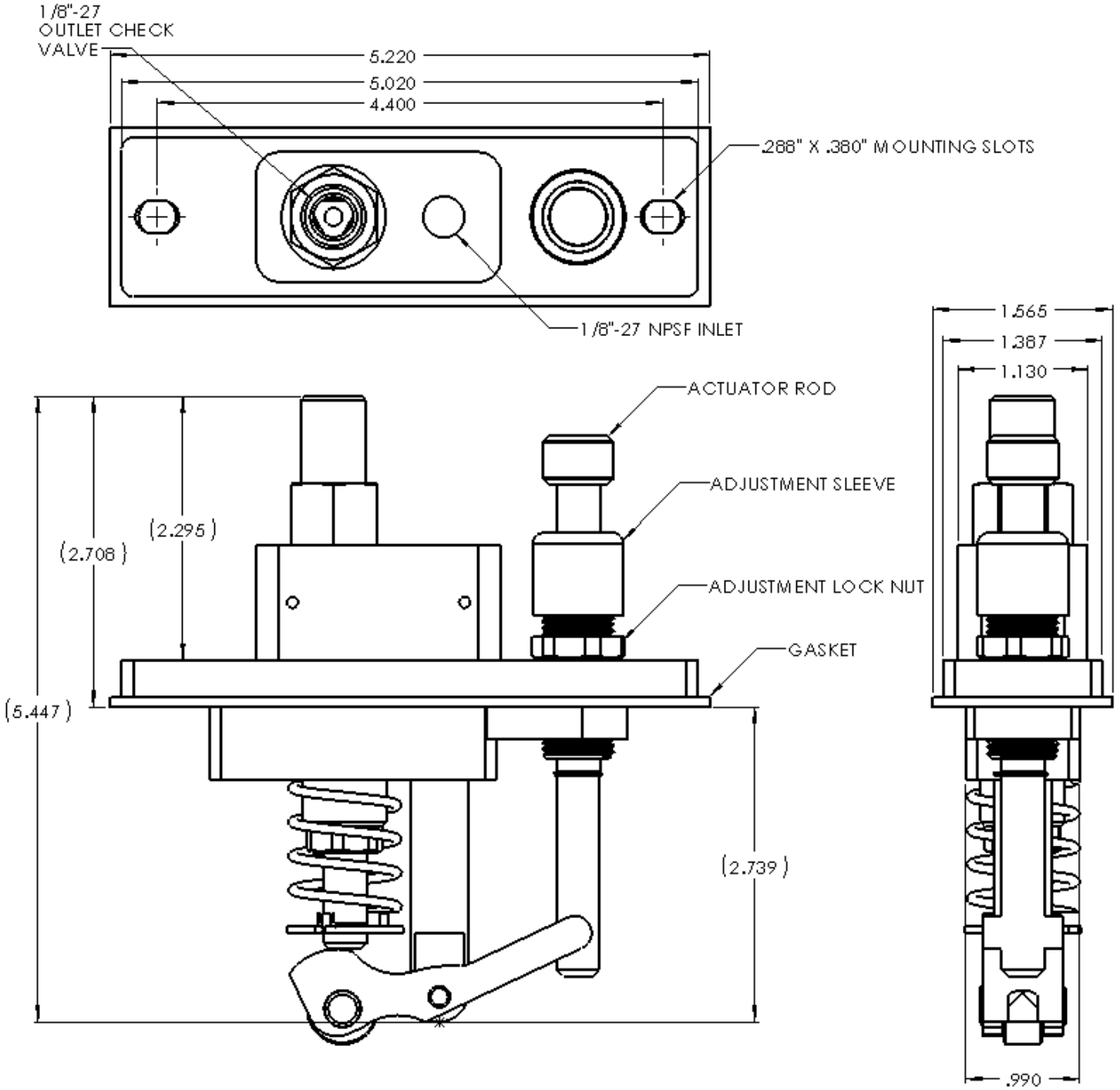
SPECIFICATIONS	
LUBRICATION	MINERAL BASED OR SYNTHETIC OIL
OIL VISCOSITY	90 SUS—8000 SUS
TEMPERATURE	-20—190 DEGREES F
OPERATING SPEED	4—30 RPM

L55 BOX PUMP OUTPUT COMPARISON

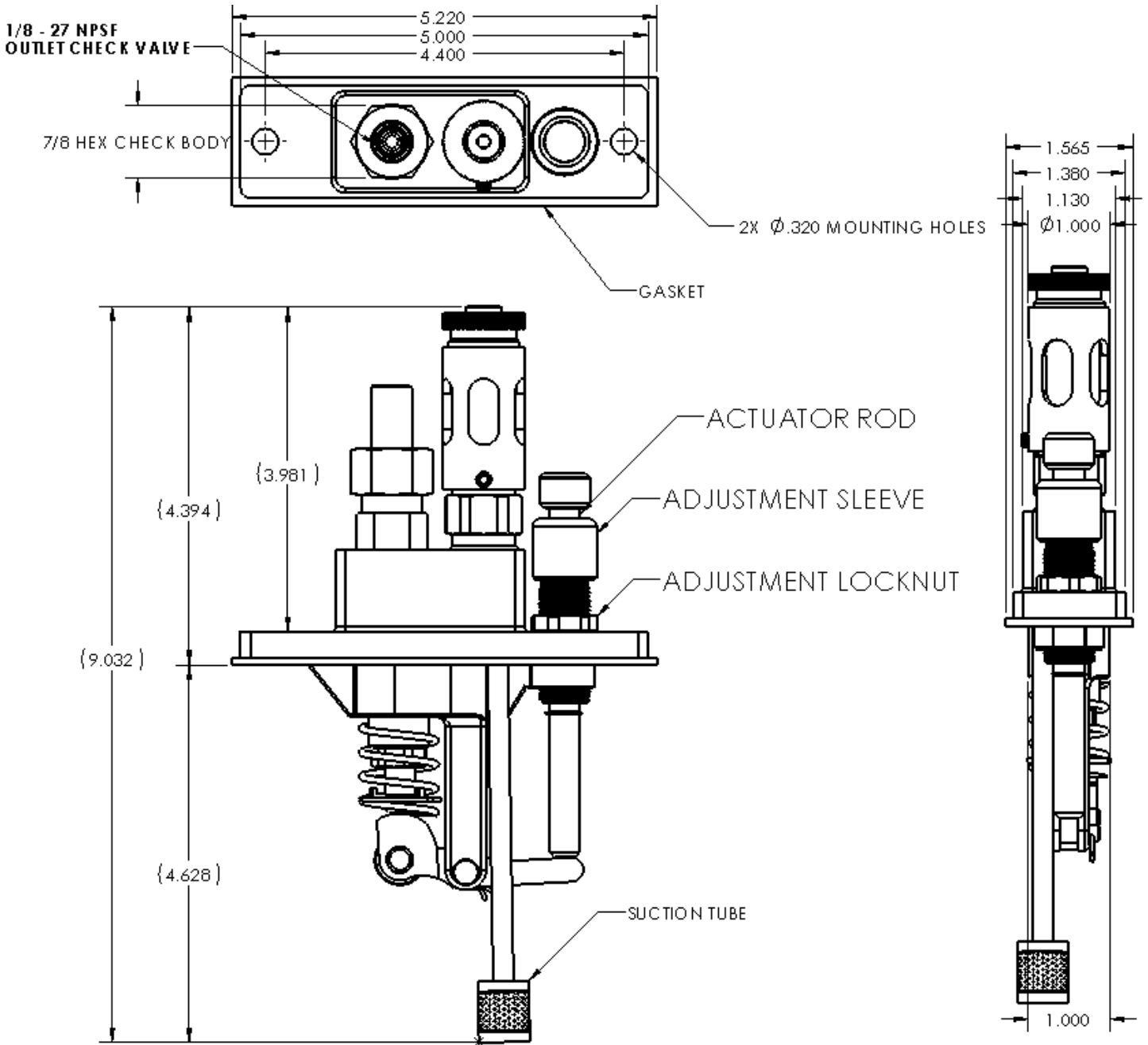
BOX PUMP OUTPUT(PINTS/DAY) VS. RPM



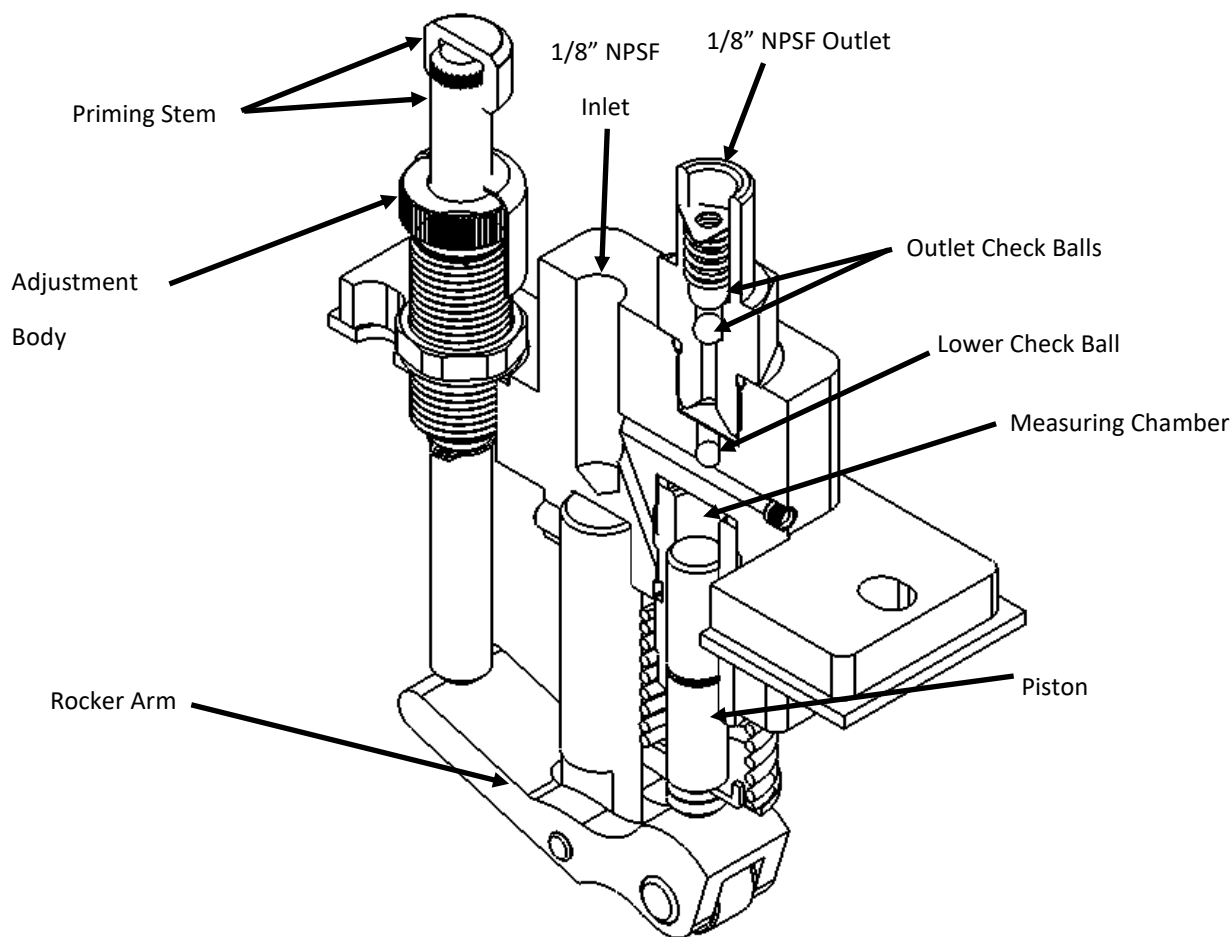
L55 PRESSURE FED BOX PUMP DIMENSION & MOUNTING



L55 SUCTION FED BOX PUMP DIMENSION & MOUNTING



MODEL 55 PRESSURE FED BOX LUBRICATOR



OPERATION:

1. Rocker Arm rides rotating cam causing piston to reciprocate within pressure sleeve. Pump output can be adjusted changing piston stroke via Adjustment Body. Pump is at maximum output when Adjustment body is fully extended from pump body.
2. Feed line to inlet may be pressurized or gravity fed. Inlet pressure may not exceed system pressure. As piston moves downward, oil is drawn into measuring chamber. Upon upward stroke of piston, oil is forced through outlet checks and into bearing line.

STARTING INSTRUCTIONS:

1. Manually operate pump with priming stem until bubble-free oil flows from pump outlet.
2. Connect bearing line to pump outlet and manually operate pump until line is filled.
3. Connect bearing line to bearing point. Terminating Check Valve is recommended. (available separately)

CONTACT US

IN THE USA, FIND YOUR STATE IN THE MAP BELOW, LOOK FOR THE REGION ID NUMBER AND FIND THAT NUMBER IN THE CONTACT INFORMATION CHART.



1	Call Factory Direct - 877-452-0157	7	Richard Hanley - California - Santa Barbara, Ventura, Los Angeles, Orange, San Bernardino, Riverside, San Diego and Imperial Counties. Nevada - Clark County. Cell: 714-625-5539 Email: rth@lubricationscientifics.com
2	Call Factory Direct - 877-452-0157	8	California - All Counties not covered by Richard. Nevada - All Counties except Clark County. Call Factory Direct - 877-452-0157
3	Call Factory Direct - 877-452-0157	9	Call Factory Direct - 877-452-0157
4	Andy Kromer Cell: 440-364-4721 Email: aklub@lubricationscientifics.com	10	Call Factory Direct - 877-452-0157
5	Call Factory Direct - 877-452-0157		
6	Cory Walker Cell: 832-585-7065 Email: c.walker@lubricationscientifics.com		

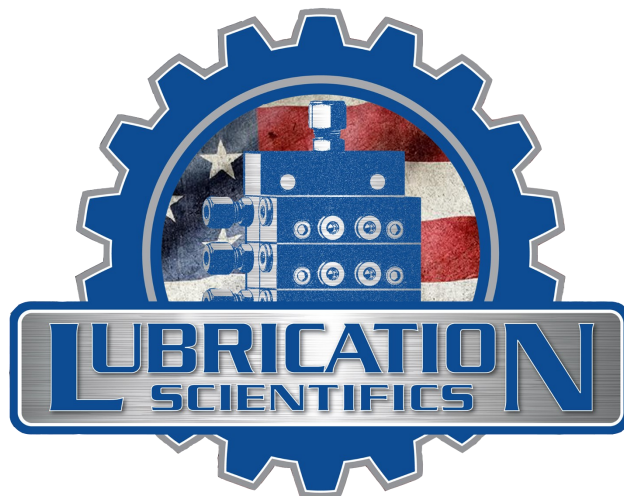
Outside of the United States	Call Factory Direct - 877-452-0157
------------------------------	------------------------------------

Customer Service (877-452-0157)

- ◆ Order status & order entry
- ◆ Pricing inquiries
- ◆ Part number look-ups
- ◆ Product availability information
- ◆ Shipment assistance
- ◆ All other general inquires

www.lubricationscientifics.com

- ◆ Product information, specifications, literature
- ◆ Locate sales reps and distributors
- ◆ Operator & Repair manuals
- ◆ Distributer Information
- ◆ Place orders and check current pricing
- ◆ Product Pricing



LUBRICATION SCIENTIFICS, LLC

17651 ARMSTRONG AVE.

IRVINE, CA 92614

UNITED STATES OF AMERICA

TOLL FREE TEL: (877) 452-0157, LOCAL TEL: (714) 557-0664, FAX: (714) 546-4564

WWW.LUBRICATIONSCIENTIFICS.COM