



POSITIVE DISPLACEMENT AIR-OPERATED EJECTOR

USED FOR MEASURING AND DISPENSING



**POSITIVE DISPLACEMENT MEASURING DEVICE
WHICH PRECISELY DISPENSES MATERIAL ONTO
ANY ACCESSIBLE SURFACE.**

**MAINTAINS ACCURATE OUTPUT OVER VARYING
TEMPERATURES, PUMPED MATERIALS,
VISCOSITIES, AND AIR SUPPLY PRESSURES.**

ADJUSTABLE OUTPUT RANGE.

UP TO 90 CYCLES/MIN*

* - CYCLE FREQUENCY IS DEPENDENT ON LUBRICANT VISCOSITY
AND SUPPLY LINE DIAMETER. IT IS RECOMMENDED TO USE 1/2"
SUPPLY LINE OR LARGER. TESTING MUST BE DONE TO DETERMINE
MAX CYCLE FREQUENCY FOR DESIRED LUBRICANT.

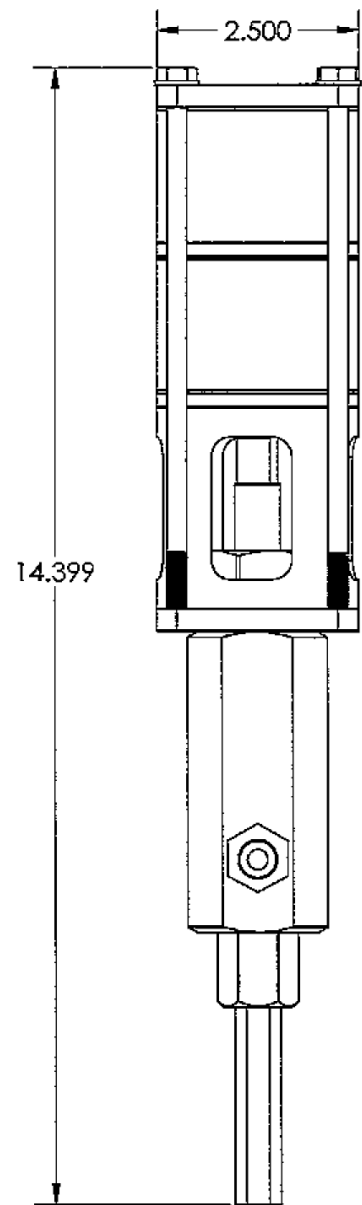
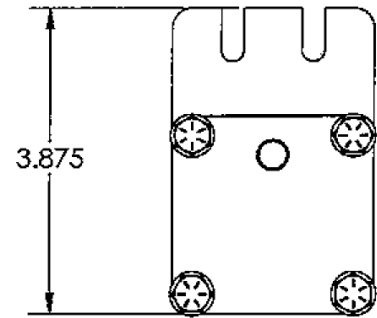
PART NUMBER L5250-EJ



WWW.LUBRICATIONSCIENTIFICS.COM

SPECIFICATIONS AND DIMENSIONS

MODEL	L5250-EJ
RATIO	35:1
OPERATING AIR PRESSURE	100 PSI / 7 BAR
MAX PRIMING PRESSURE	1,500 PSI / 102 BAR
OUTLET PER CYCLE	.015 - .2 CU/IN .25 - 3.3 CC
AIR INLET FEMALE	CONNECT WITH 1/8" NPT/NPTF
MAT'L INLET FEMALE	CONNECT WITH 1/4" NPT/NPTF
MAT'L OUTLET FEMALE	CONNECT WITH 1/4" NPT/NPTF

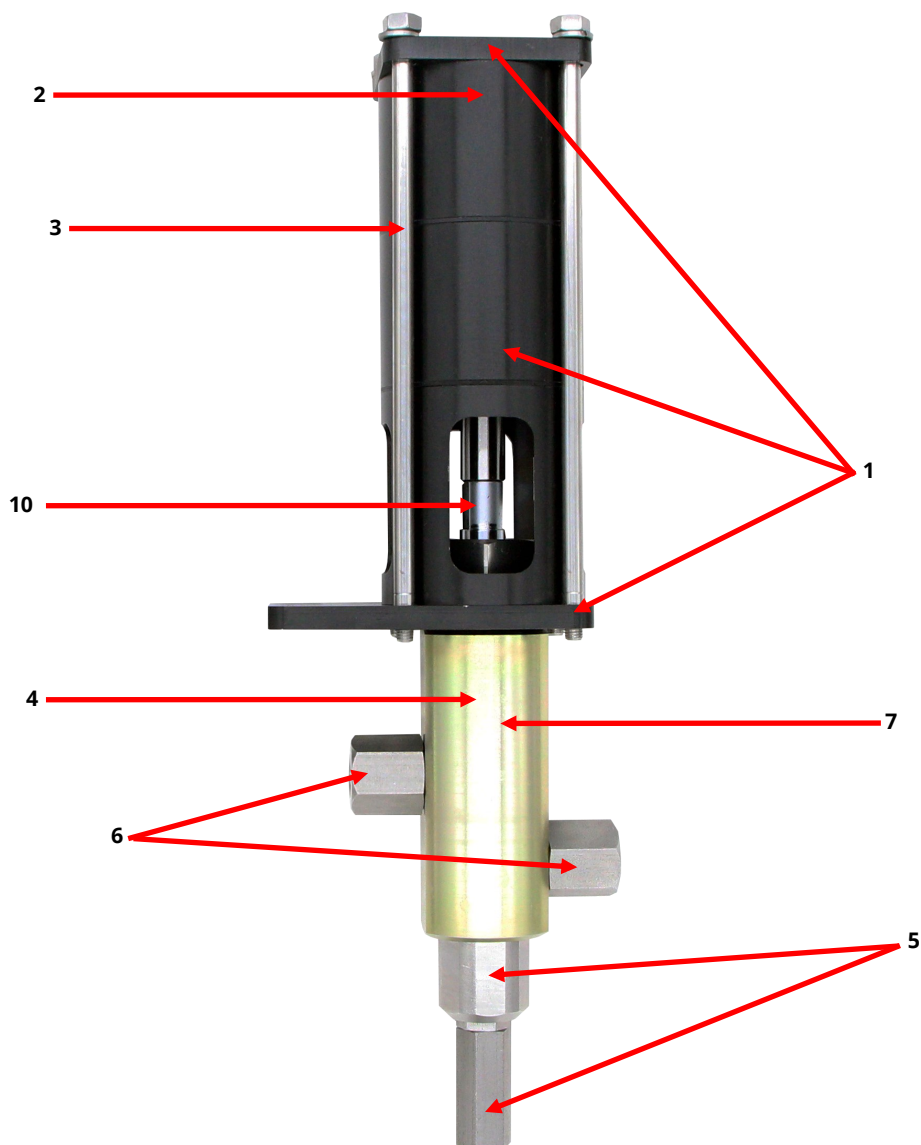


NOTE:

To prevent hydraulic lock use a 24" length of 1/2" ID hose at material inlet.

UNIQUE LUBRICATION SCIENTIFICS, LLC DESIGN FEATURES L5250-EJ

1. ALL ALUMINUM COMPONENTS ARE **HARD ANODIZED**.
2. AIR CYLINDER IS **PRECISION HONE FIT**, AFTER **HARD ANODIZED PLATING**.
3. **STAINLESS STEEL TIE RODS** VS. PLATED COLD ROLL STEEL.
4. ALL STEEL COMPONENTS ARE **HIGH PERFORMANCE GOLD PLATED**.
5. AIR INLET CONNECTION AND **ALL** OUTPUT ADJUSTMENT COMPONENTS ARE **STAINLESS STEEL** VS. PLATED CRS.
6. PUMPED MATERIAL **INLET** AND **OUTLET** CONNECTIONS ARE **STAINLESS STEEL** AND CAN BE REPLACED IN THE FIELD, WITHOUT DISASSEMBLY OF THE EJECTOR.
7. **HARDENED (60RC) STEEL BODY**.
8. TOP CAP, INTERMEDIATES, AND BOTTOM PLATE SEALED WITH O-RINGS VS. PAPER GASKETS. (NOT SHOWN)
9. AIR CYLINDER ASSEMBLY **SLOTTED WASHER HEAT TREATED 17-4** VS. PLATED CRS. (NOT SHOWN)
10. OUTLET PISTON IS **CHROME STEEL, HEAT TREATED, GROUND, HARD CHROMED, AND FINISH GROUND TO 50 MILLIONTHS TOLERANCE**.



CONTACT US



CONTACT INFORMATION CHART

For all Regions call our Factory direct at **877-452-0157** and speak with our knowledgeable Sales Reps Eddie Pena or Nicholas Santoliquido.



LUBRICATION SCIENTIFICS, LLC

17651 ARMSTRONG AVE.

IRVINE, CA 92614

UNITED STATES OF AMERICA

TOLL FREE TEL: (877) 452-0157, LOCAL TEL: (714) 557-0664, FAX: (714) 546-4564

WWW.LUBRICATIONSCIENTIFICS.COM